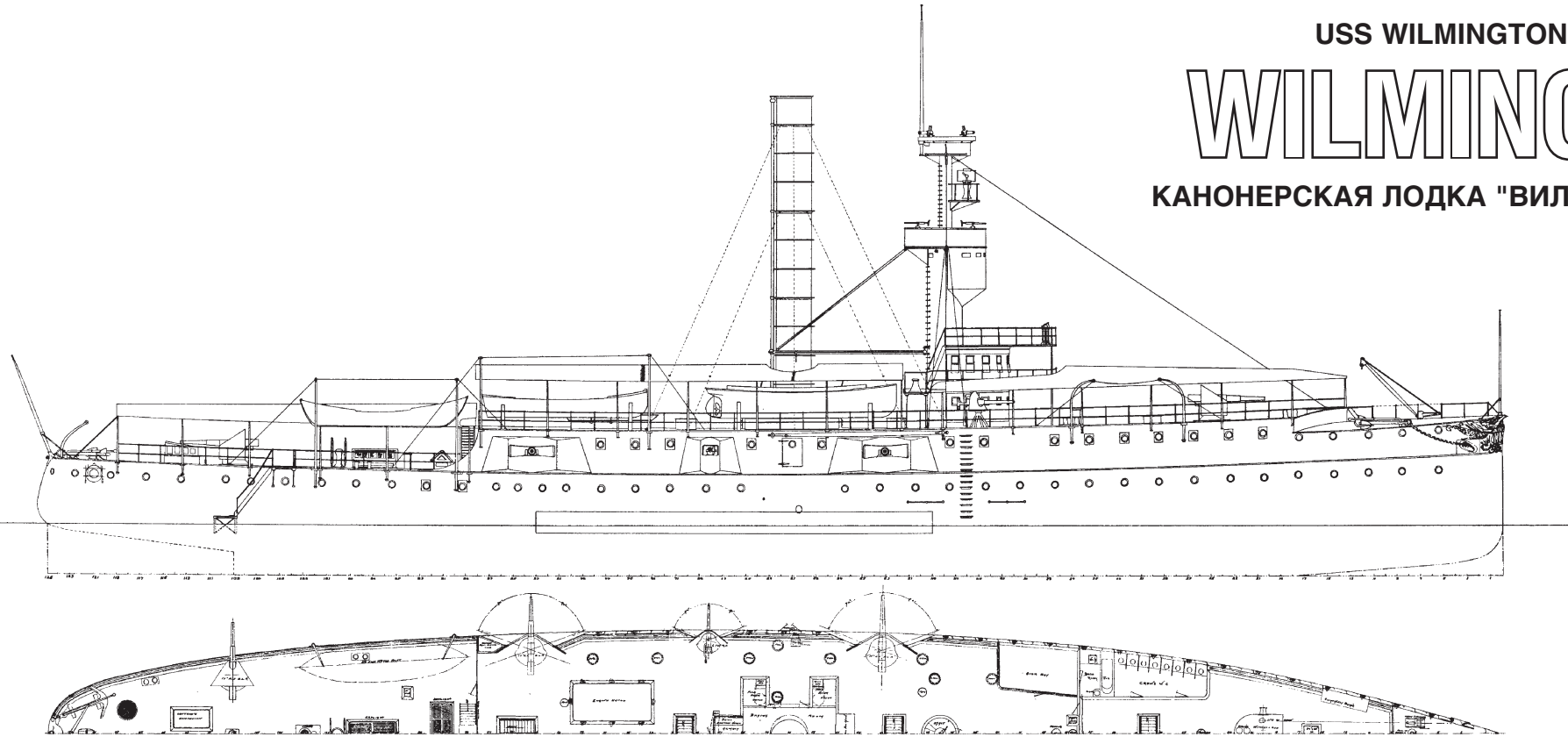


USS WILMINGTON PG-8 GUNBOAT

WILMINGTON

КАНОНЕРСКАЯ ЛОДКА "ВИЛМИНГТОН" 1897

1:700



USS Wilmington (Gunboat No. 8) was laid down on 8 October 1894 at Newport News, Virginia, by the Newport News Shipbuilding Company; launched on 19 October 1895; sponsored by Mrs. Anne B. Gray; and commissioned on 13 May 1897 with Commander Chapman C. Todd in command.

The new gunboat conducted sea trials and underwent training off the east coast and joined the North Atlantic Squadron at Key West. Wilmington trained and underwent exercises in gunnery and tactics in late 1897 and early 1898 as tension between the United States and Spain was rising steadily closer to open hostilities.

Spanish-American War

On 21 April 1898, two months after the sinking of battleship Maine in Havana harbor, Cuba, the United States declared war on Spain. Meanwhile, the Navy had moved its warships into position to attack Spanish possessions in the Far East and

in the Caribbean. In May she participated in the Second Battle of Cardenas and was defeated but at the Bombardment of Cardenas the next morning, she sank two Spanish gunboats and two schooners without a fight. On 15 July 1898, Wilmington arrived off Cape Cruz, near Manzanillo, Cuba, and joined Wompatuck on station with the blockading forces.

The following day, Wilmington overhauled two small charcoal-burning fishing boats off the harbor mouth and questioned their Cuban crews. From the brief interrogation, the Americans learned that a submarine cable connected Santa Cruz and Jucaro. The gunboat then proceeded to the spot mentioned by the fishermen and lowered a grappling hook. Finding the cable, Wilmington cut it and made for Cuarto Reales to join Helena (Gunboat No. 9), Wompatuck, and Hist.

On 17 July, Wilmington led the three other ships to El Guayabal, 20 miles (32 km) north of

Manzanillo, Cuba, near Santa Cruz del Sur. Upon their arrival at Guayabal, the warships found Scorpion, Hornet, and Osceola. During the afternoon hours, the four commanding officers met in conference and formulated preliminary plans for an expedition to Manzanillo to destroy the Spanish shipping there.

Accordingly, at 0300 on 18 July, the American ships set out from Guayabal and set course for Manzanillo. At 0645, the group split up according to plan: Wilmington and Helena made for the north channel; Hist, Hornet, and Wompatuck for the south; Scorpion and Osceola for the central harbor entrance. Fifteen minutes later, the two largest ships entered the harbor with black smoke billowing from their tall funnels and gunners ready at their weapons.

Taking particular care not to damage the city beyond the waterfront, the American gunners directed their gunfire solely at the Spanish ships and

took a heavy toll of the steamers congregated there. Spanish supply steamer Purissima Concepcion caught fire alongside a dock and sank at her moorings; gunboat Maria Ponton blew up when her magazines exploded; gunboats Estrella and Delgado Perrado also burned and sank while two transports, Gloria and Jose Garcia, went down as well. Two small gunboats, Guantanamo and Guardian were driven ashore and shot to pieces.

Beyond the effective range of Spanish shore batteries, the Americans emerged unscathed, leaving columns of smoke to mark the pyres of the enemy's supply and patrol vessels. The twenty-minute engagement ended with the attackers withdrawing to sea to resume routine patrol duties with the North Atlantic Squadron for the duration of hostilities.

Decommissioned on 20 December 1945, she was struck from the Navy list on 8 January 1946 and sold for scrap on 30 December 1946.

Тактико-технические характеристики:

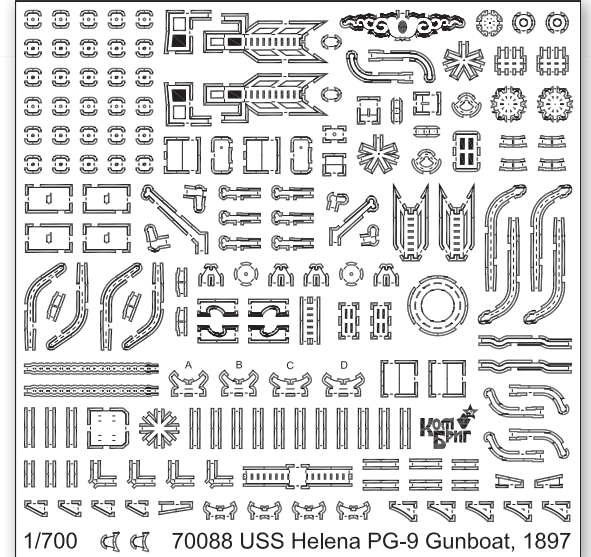
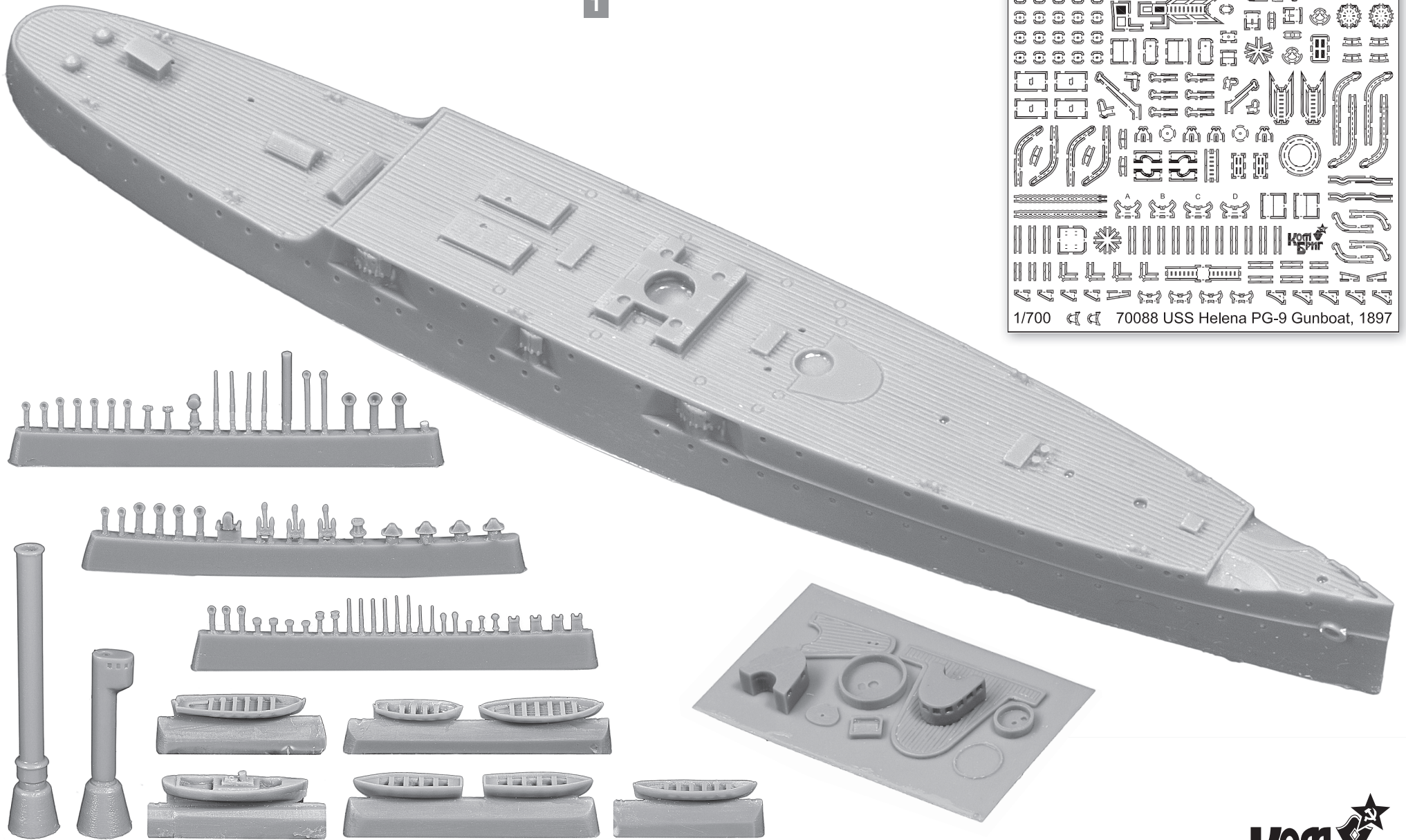
Водоизмещение:	1571 т.
Длина наибольшая:	76,43 м.
Ширина:	12,47 м.
Осадка:	2,7 м.
Скорость максимальная:	13 уз.
Артиллерийское вооружение:	4 100 мм 4 3 фунтов
Экипаж:	212

70087 For more info on Combrig kits see: www.combrig-models.com www.steelnavy.com www.modelwarships.com

**Ком
БРИГ**
Made in Russia

СХЕМА СБОРКИ МОДЕЛИ
ASSEMBLY INSTRUCTIONS

1



1/700 70088 USS Helena PG-9 Gunboat, 1897

СХЕМА СБОРКИ МОДЕЛИ

ASSEMBLY INSTRUCTIONS

2

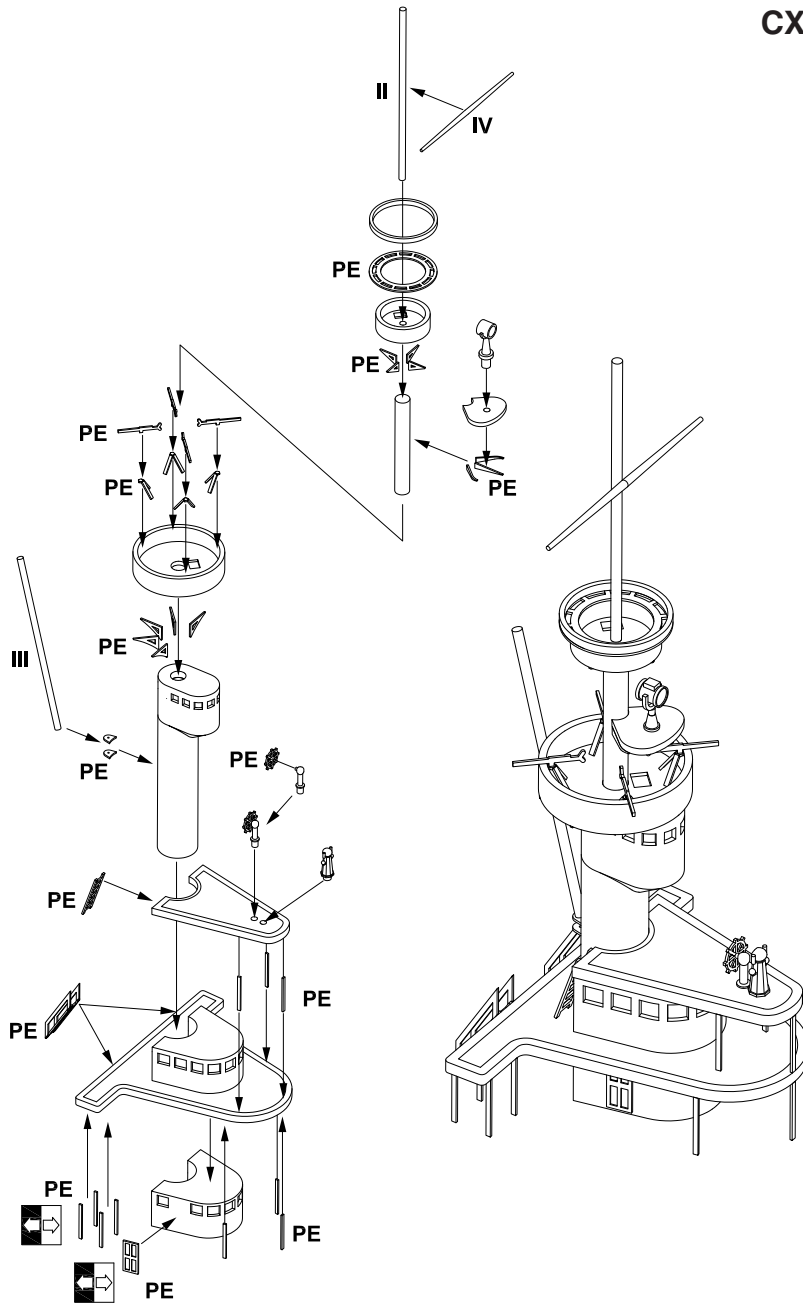
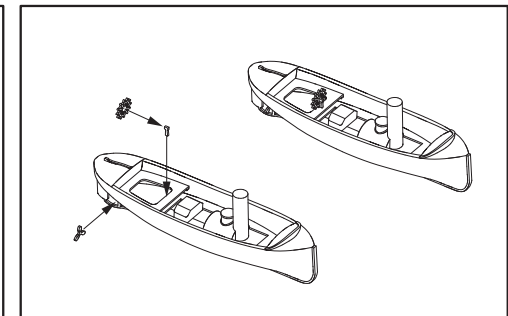
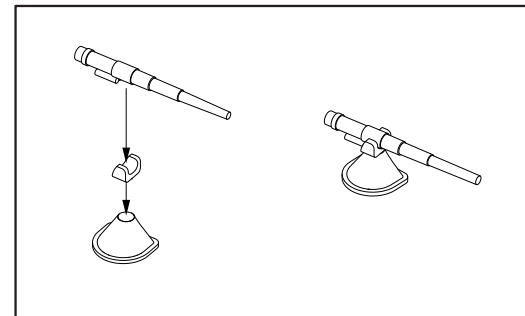
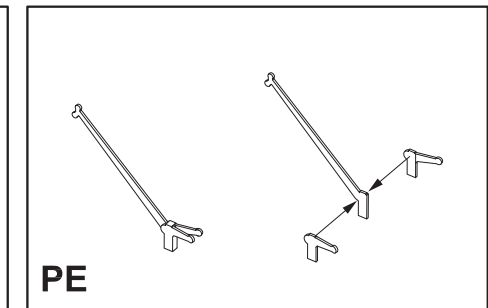
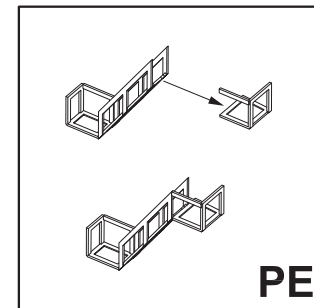
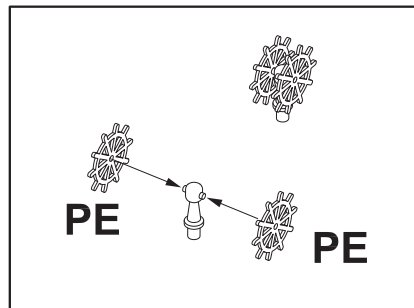
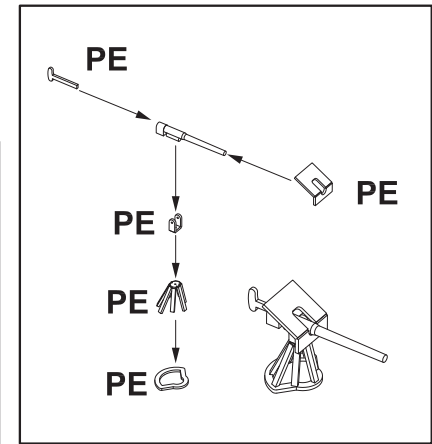
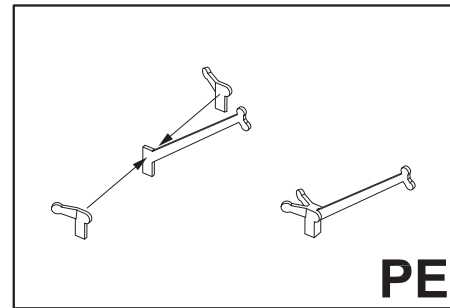
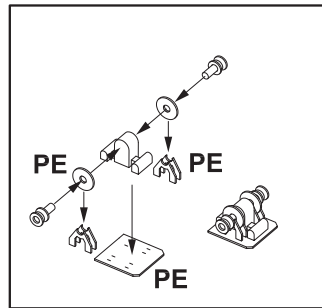


СХЕМА СБОРКИ МОДЕЛИ
ASSEMBLY INSTRUCTIONS

3

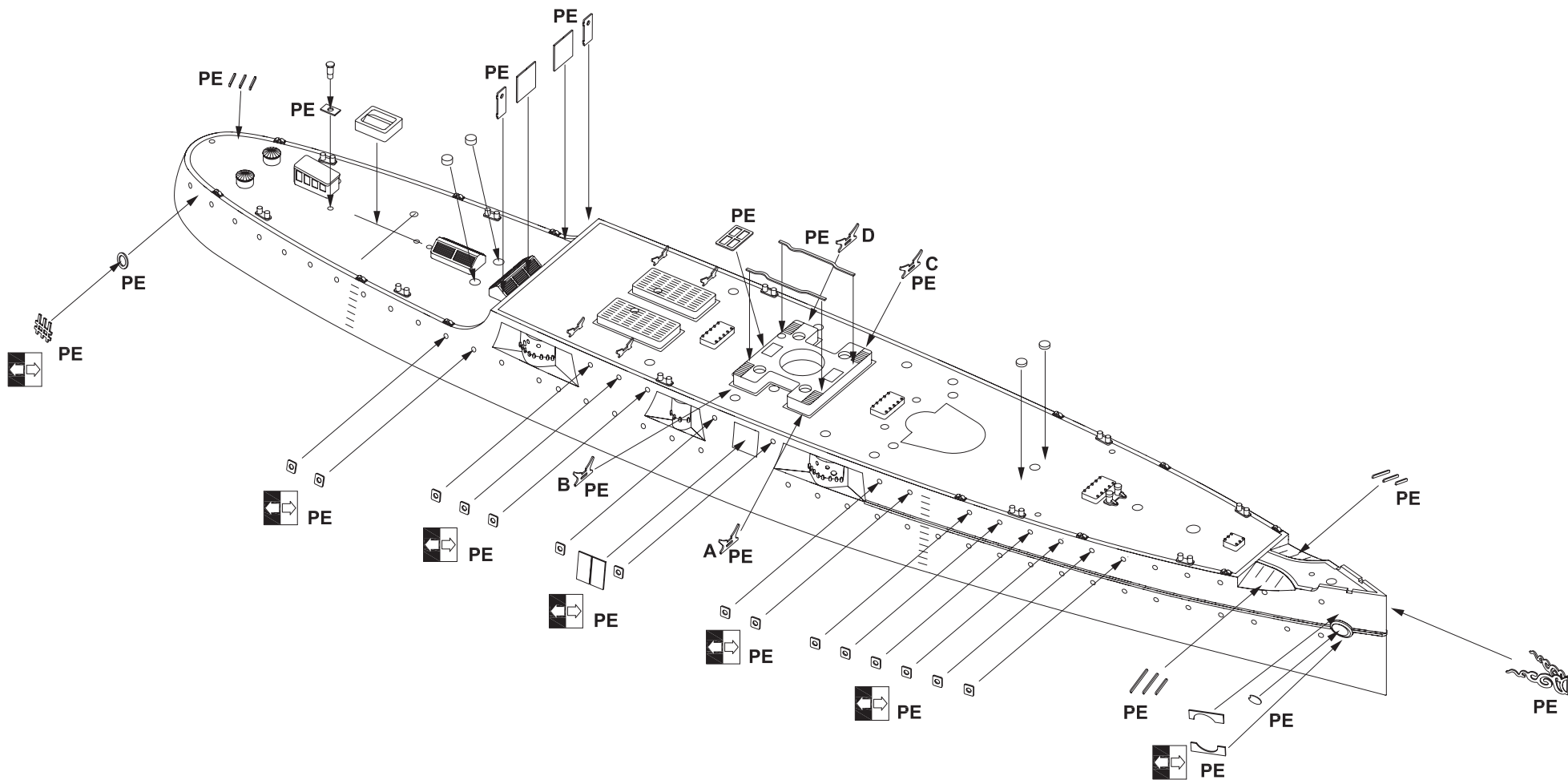
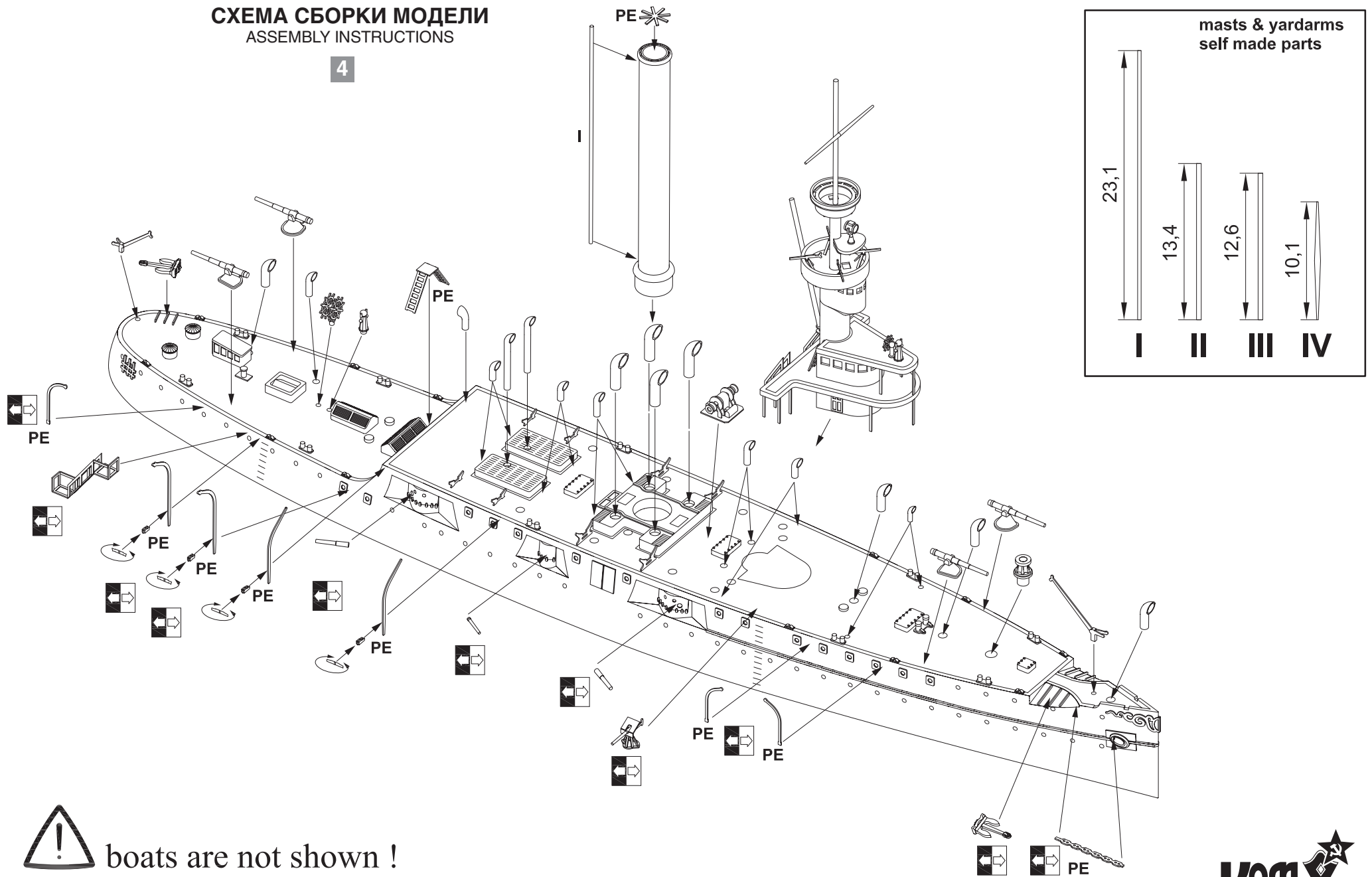


СХЕМА СБОРКИ МОДЕЛИ
ASSEMBLY INSTRUCTIONS

4



masts & yardarms
self made parts

23,1	13,4	12,6	10,1
I	II	III	IV



boats are not shown !