

German Battleship, 1904

SMS Elsass

1/700

Displacement: 13,208 t/14,394
Length: 127.7 m
Beam: 22.2 m
Draft: 8.1 m
Installed power 16.000 hp
Speed: 18.7 knots
Range: 5.200 nmi
Armament:

2 × 2 – 28 cm SK L/40 guns

14 × 17 cm SK L/40 guns

18 × 8.8 cm SK L/35 guns

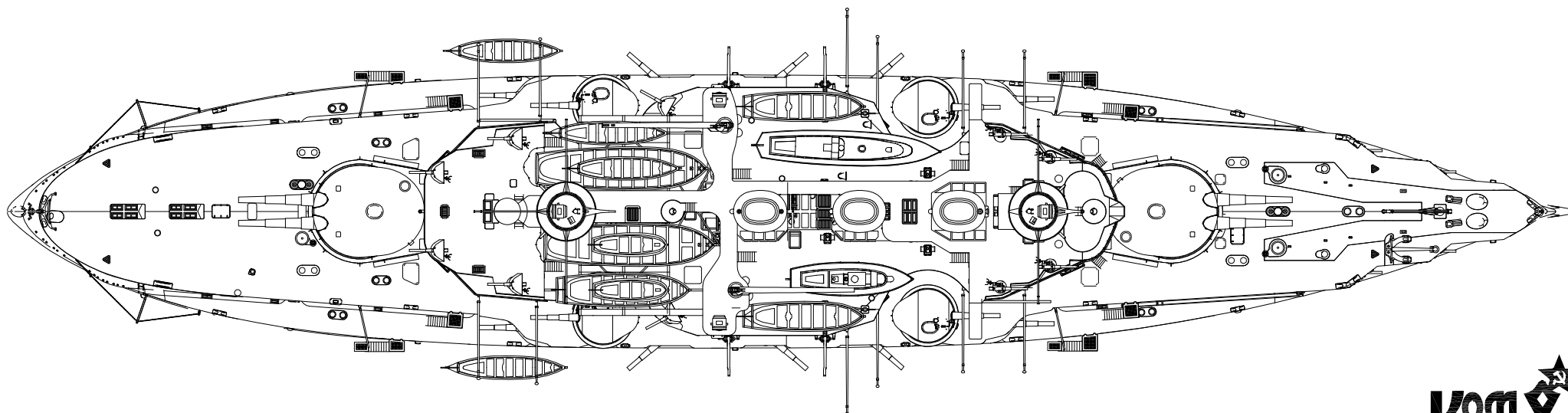
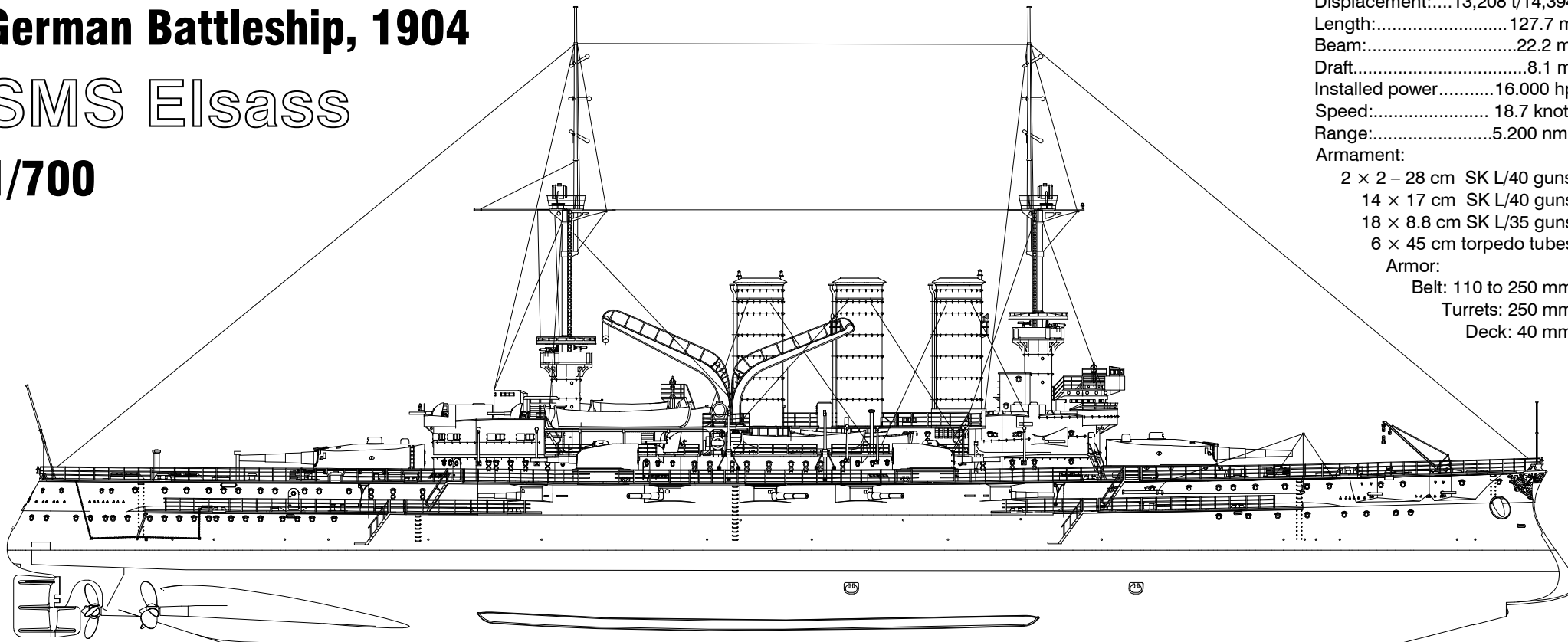
6 × 45 cm torpedo tubes

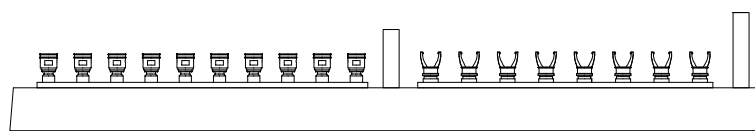
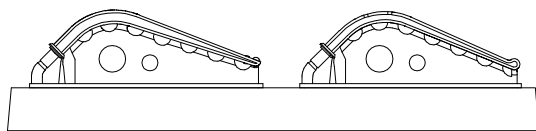
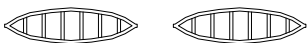
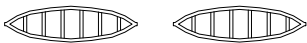
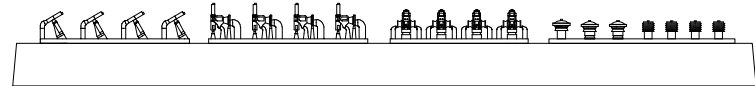
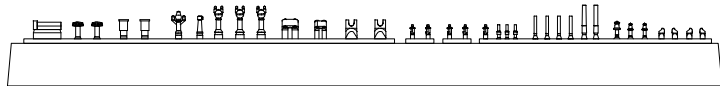
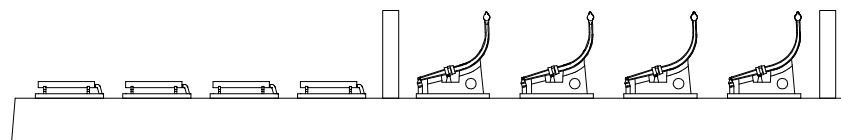
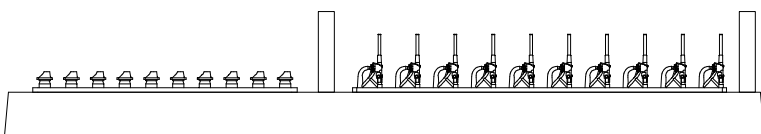
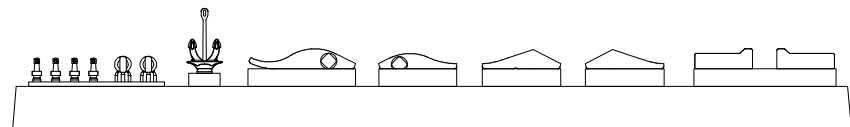
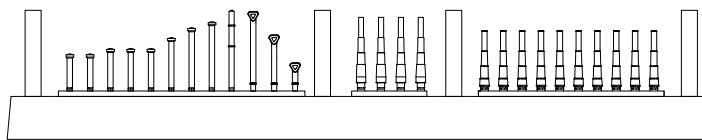
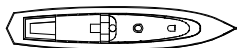
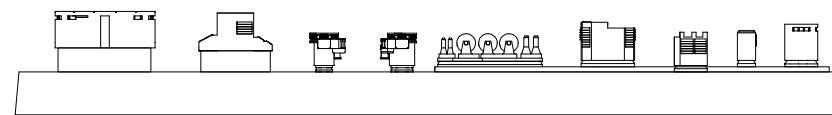
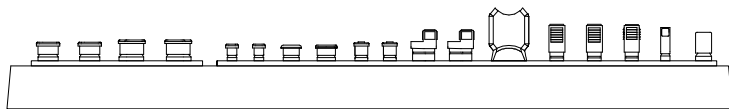
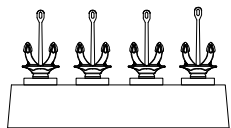
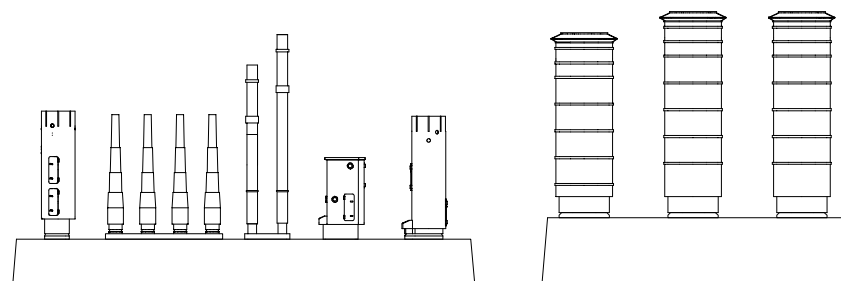
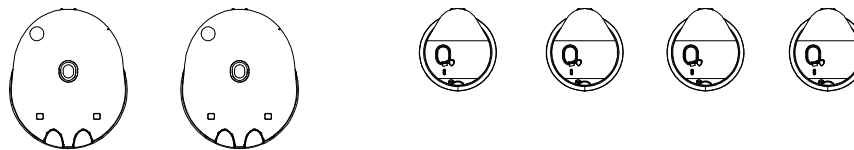
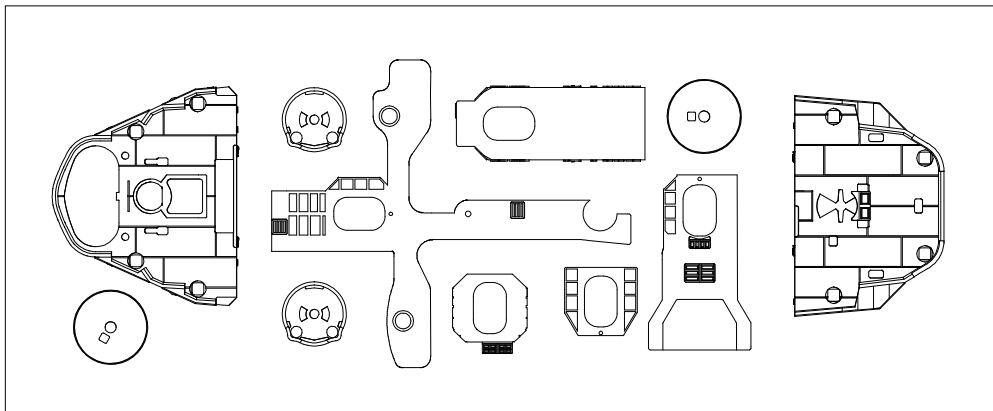
Armor:

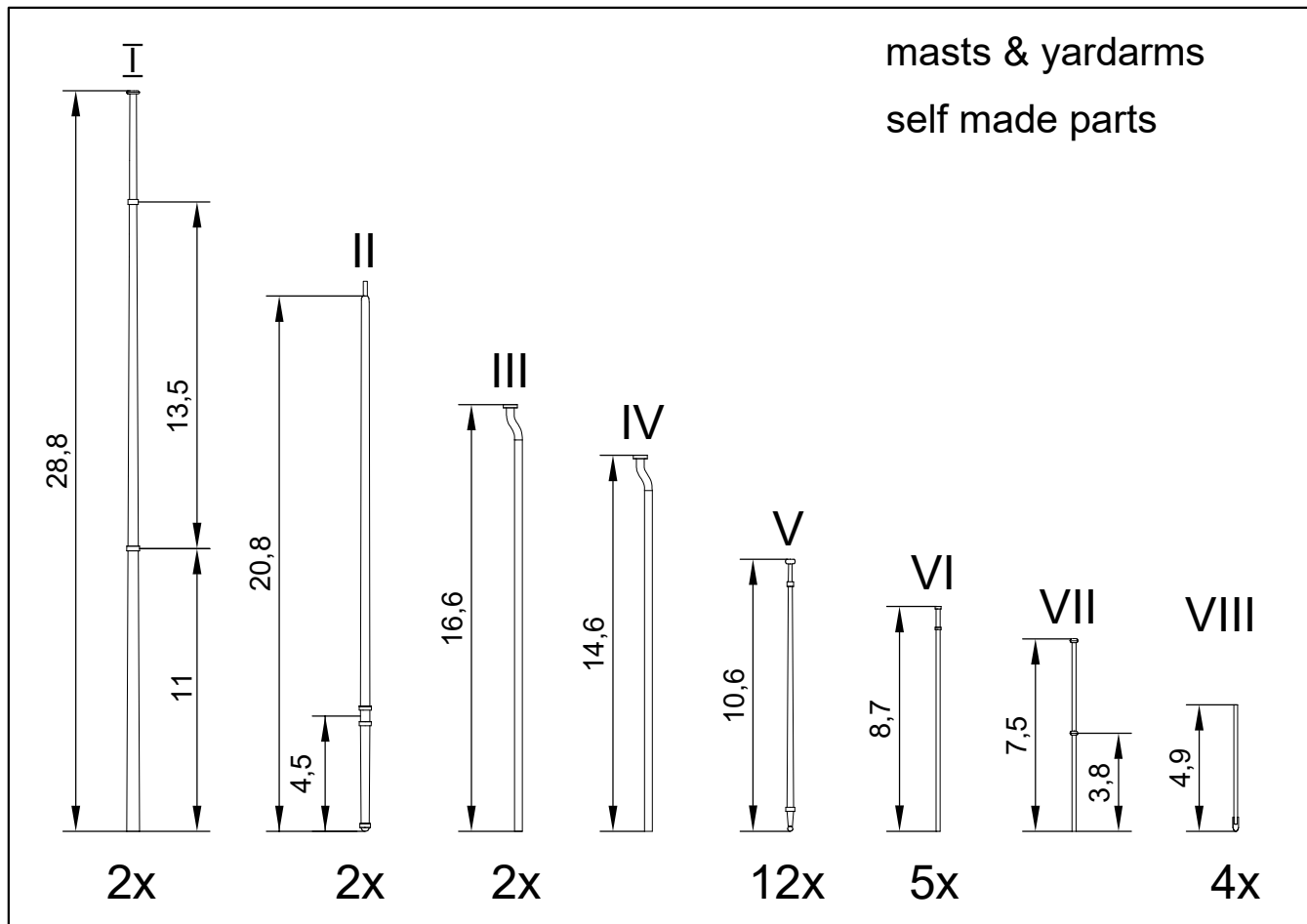
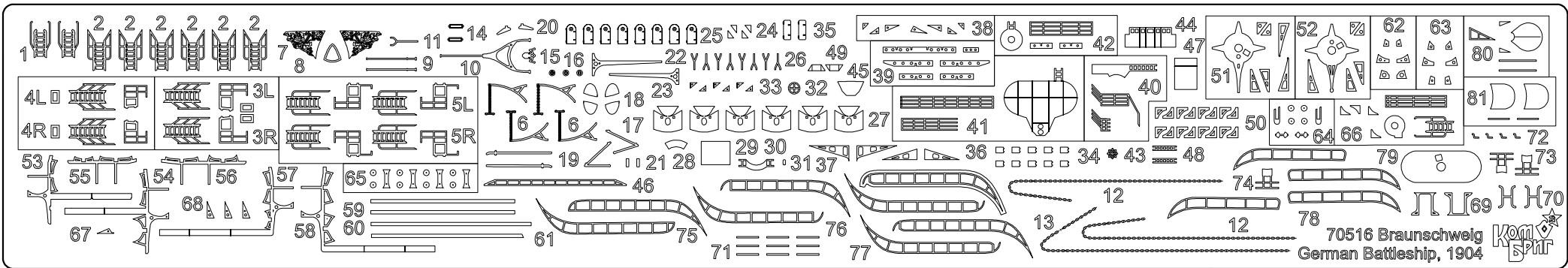
Belt: 110 to 250 mm

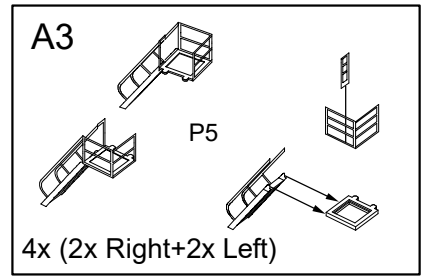
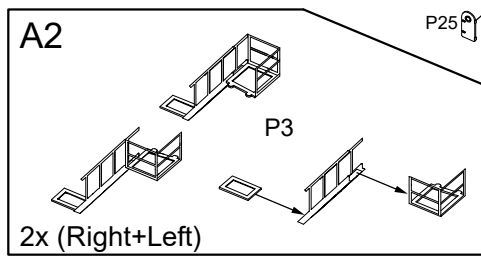
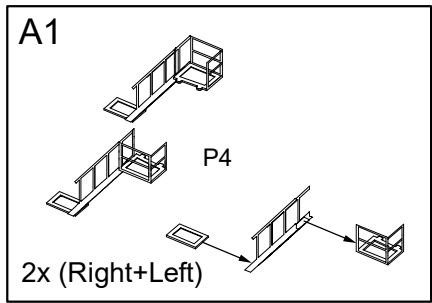
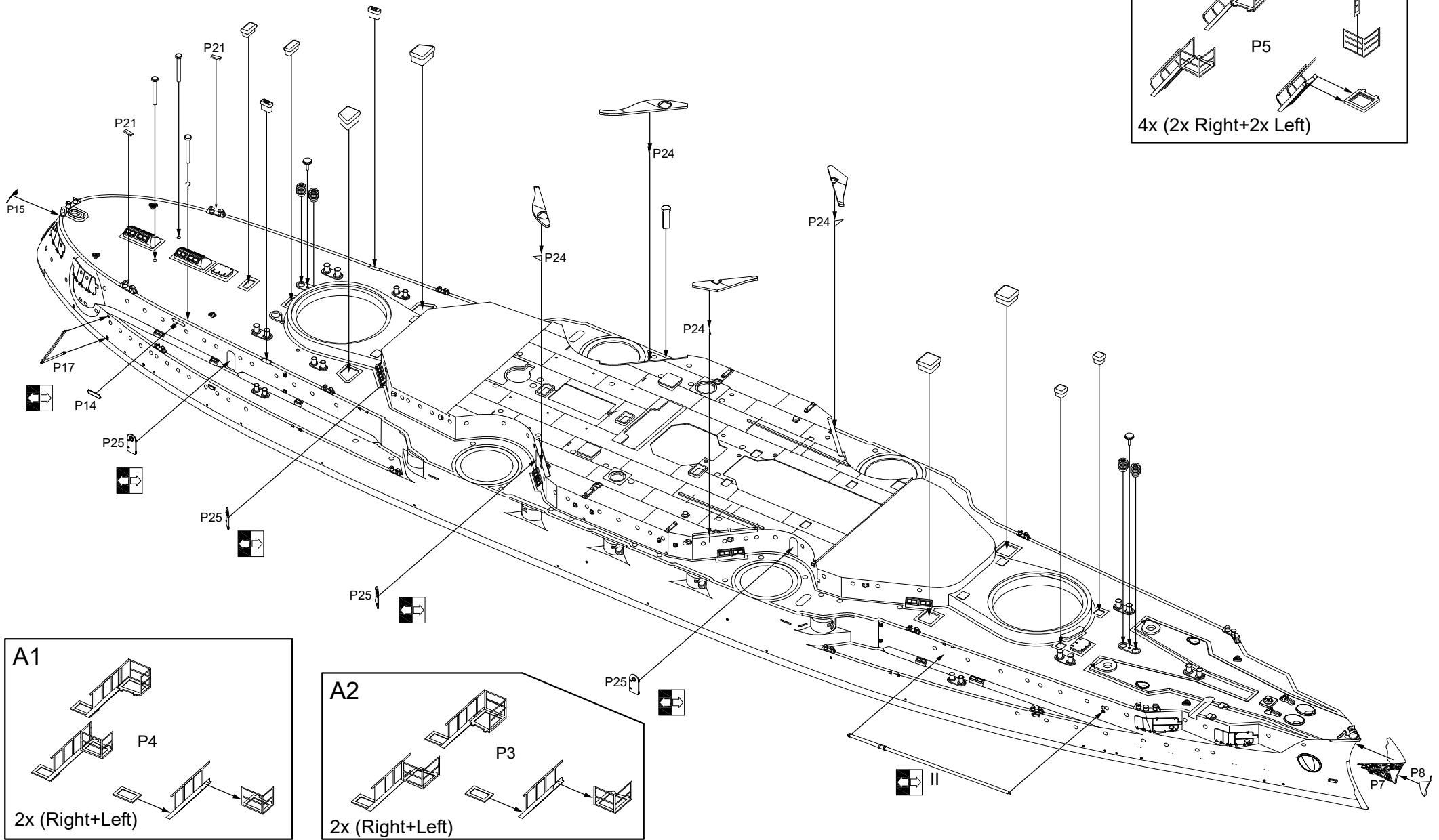
Turrets: 250 mm

Deck: 40 mm

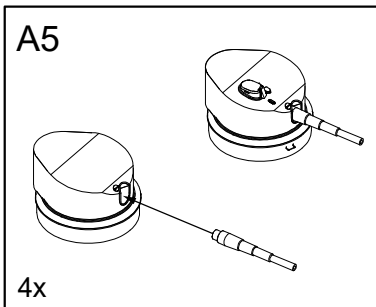
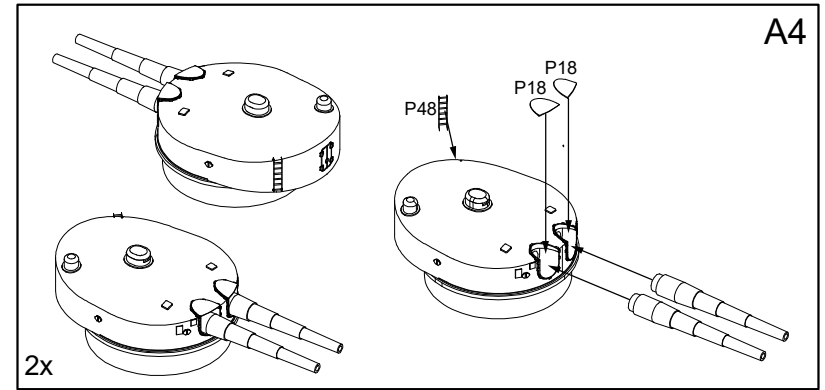
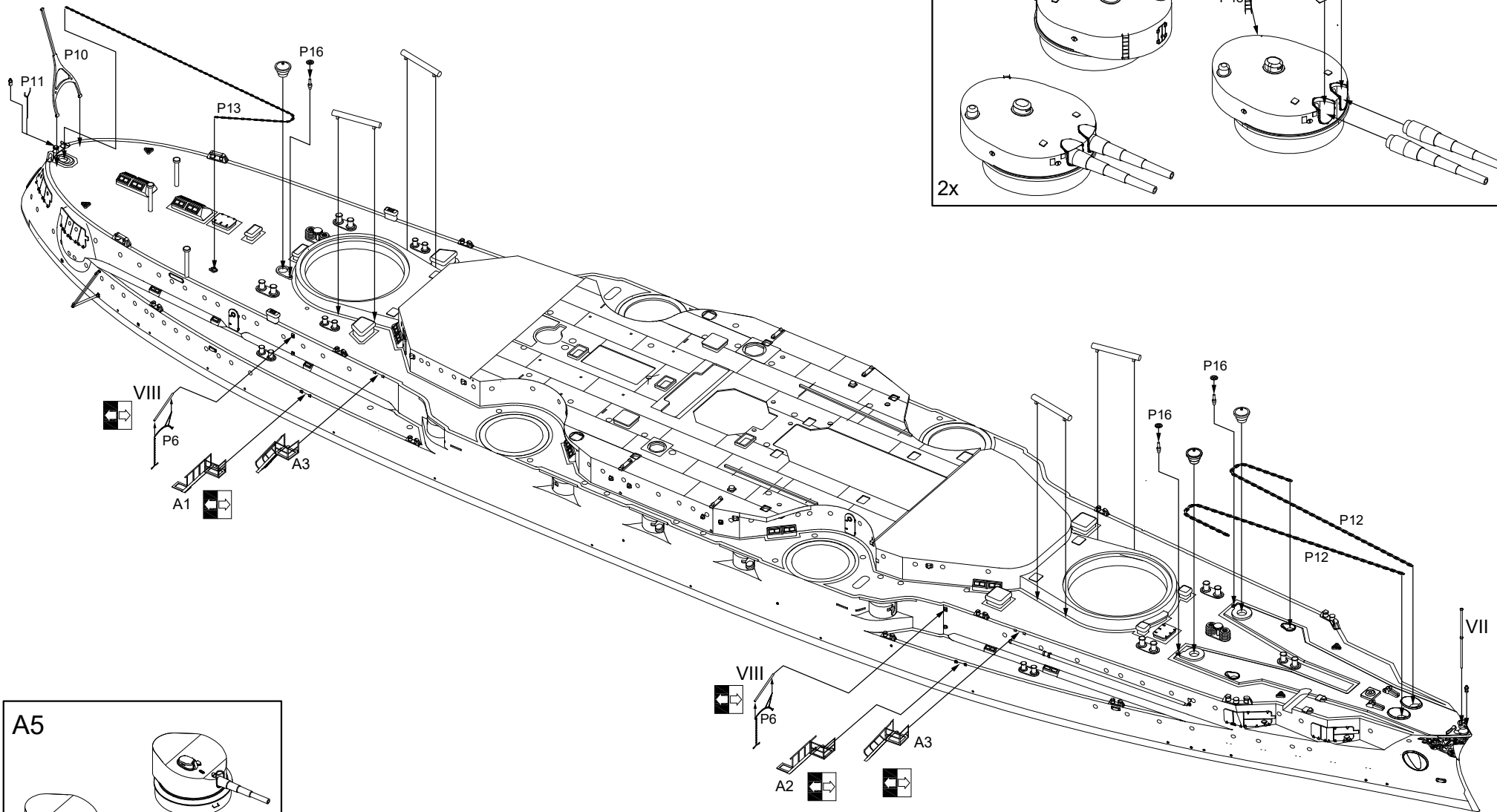


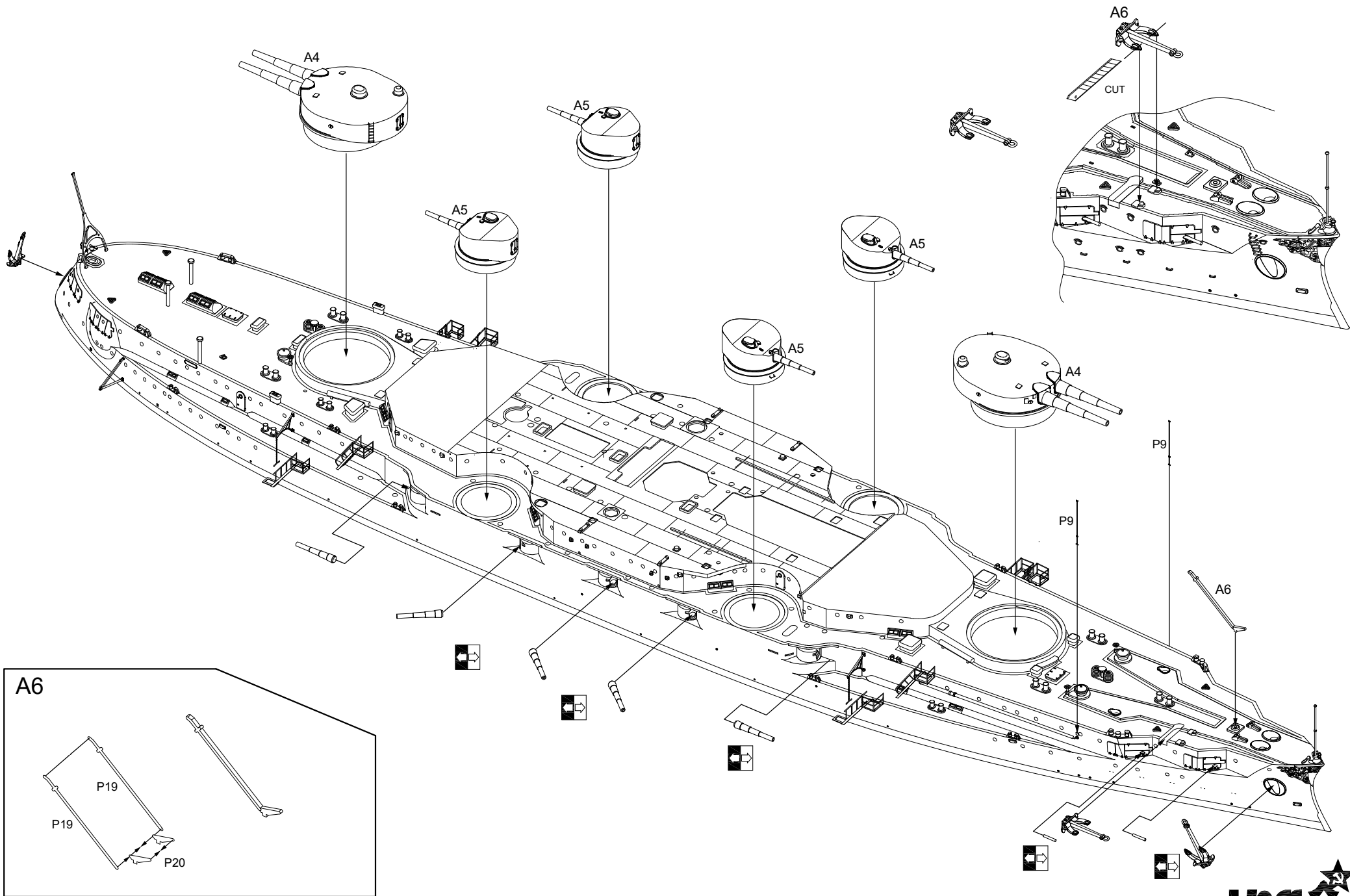


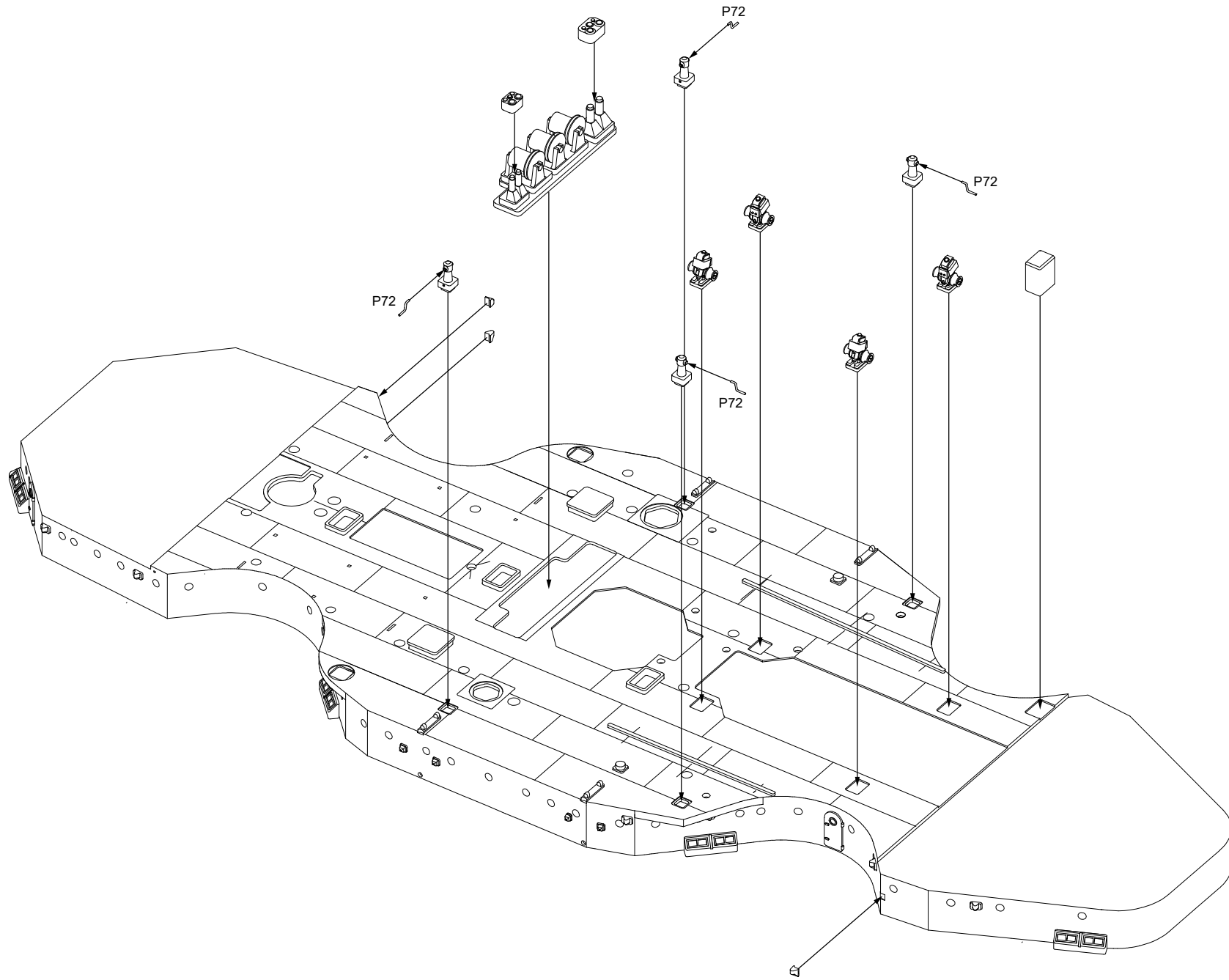


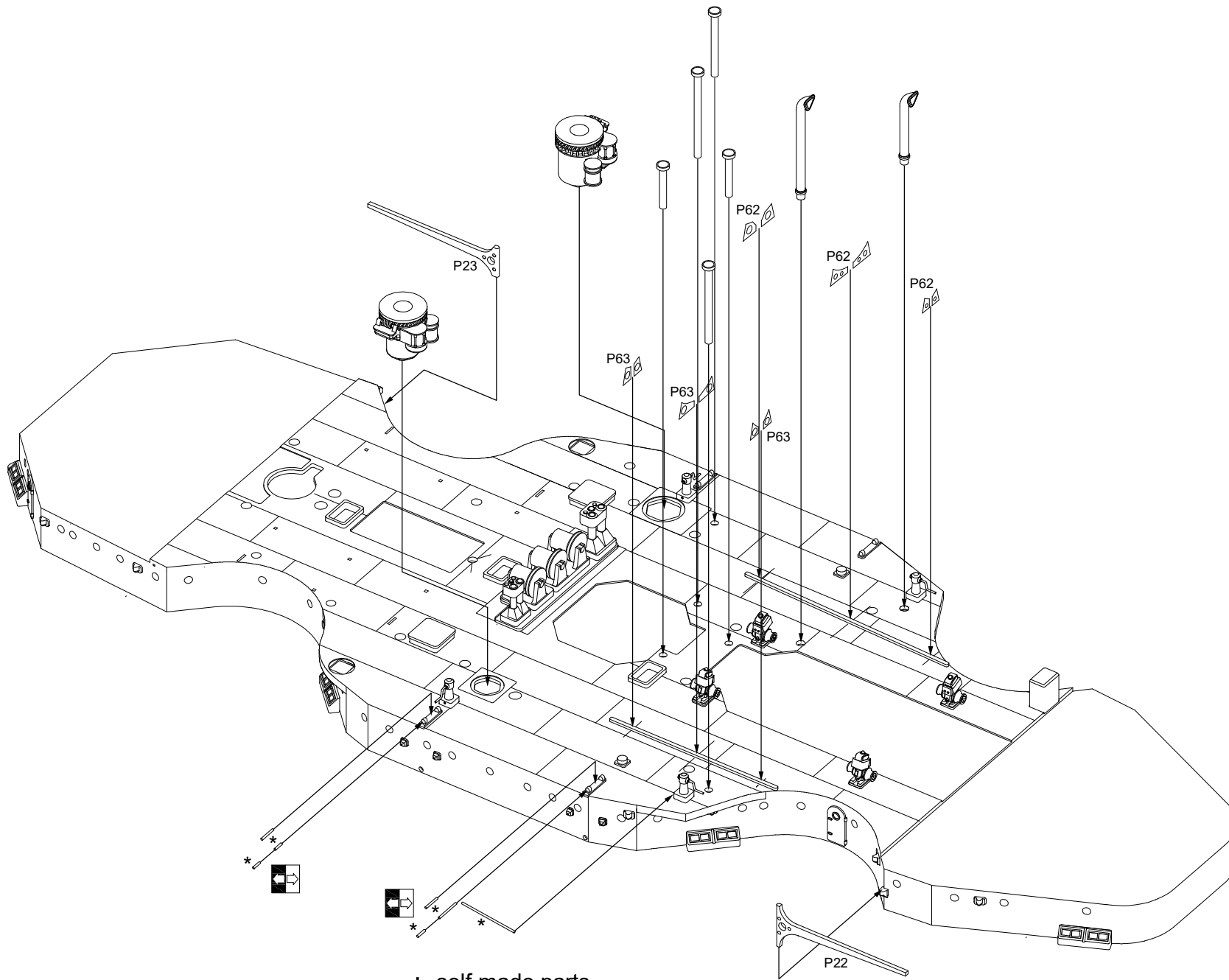


Please note that the assembly guide reflects the position of the parts when installed only, and not the exact order of the assembly. To download the assembly instructions in PDF (high resolution) please visit www.combrig-models.com

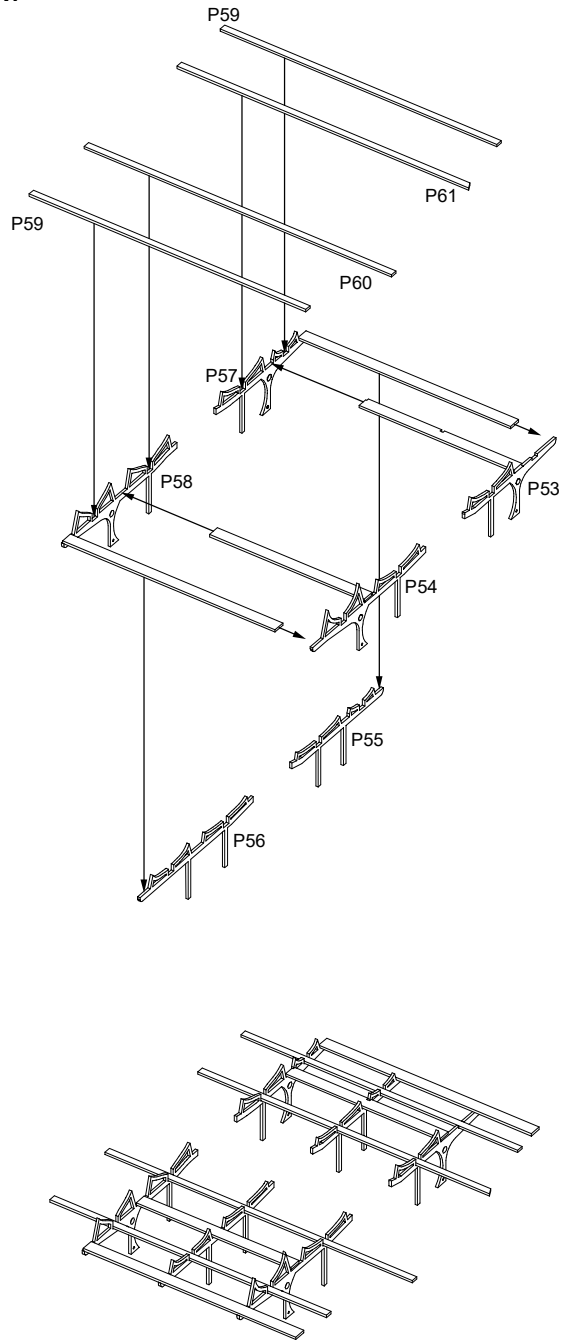




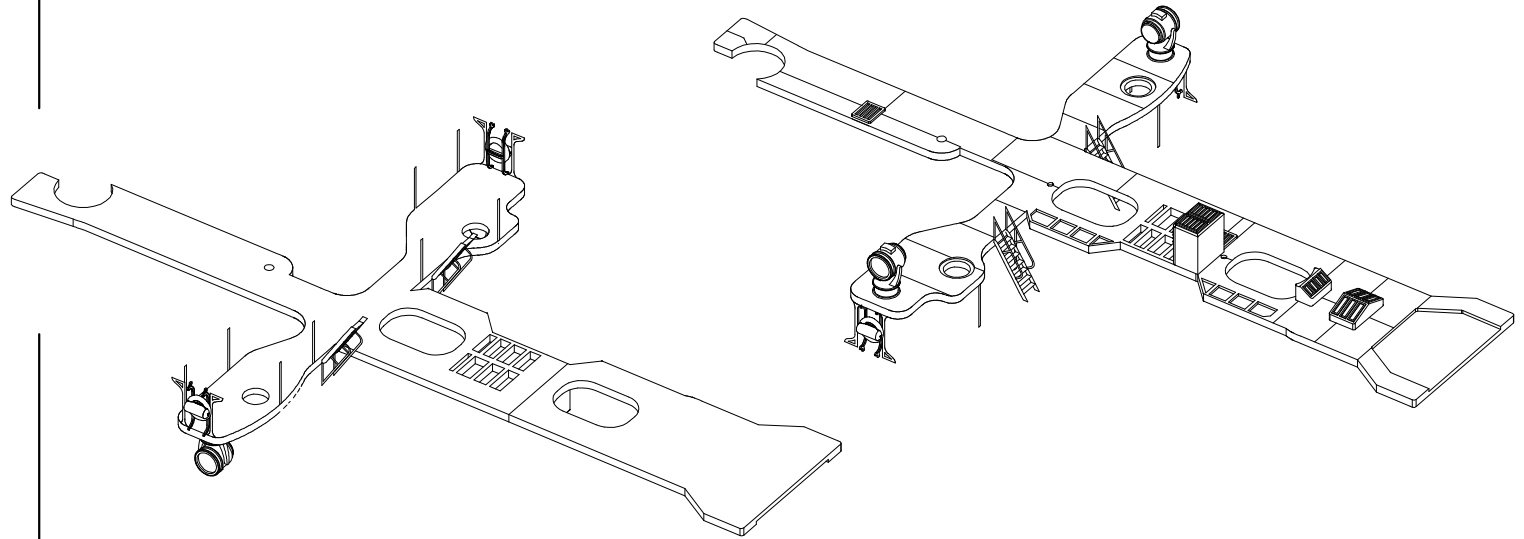




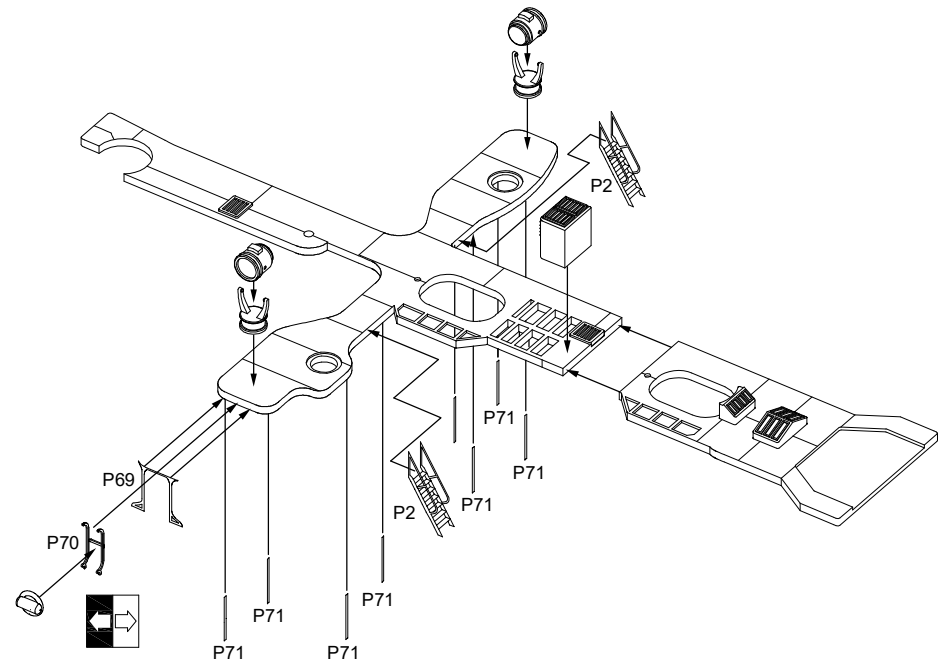
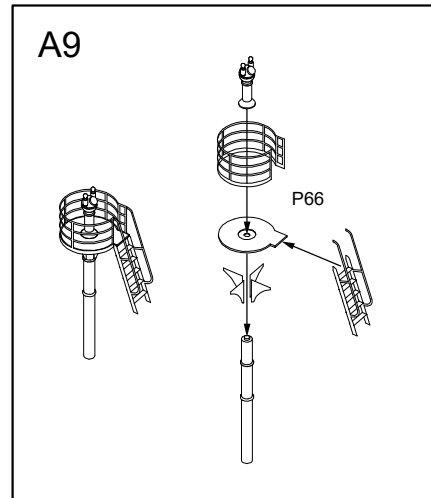
A7

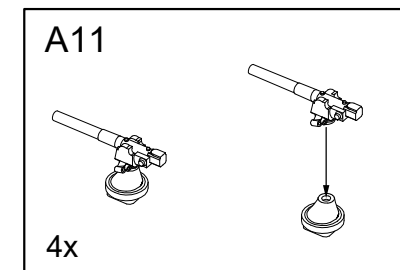
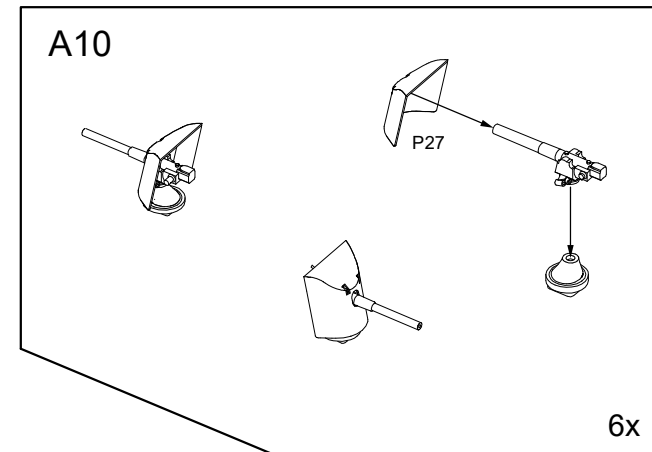
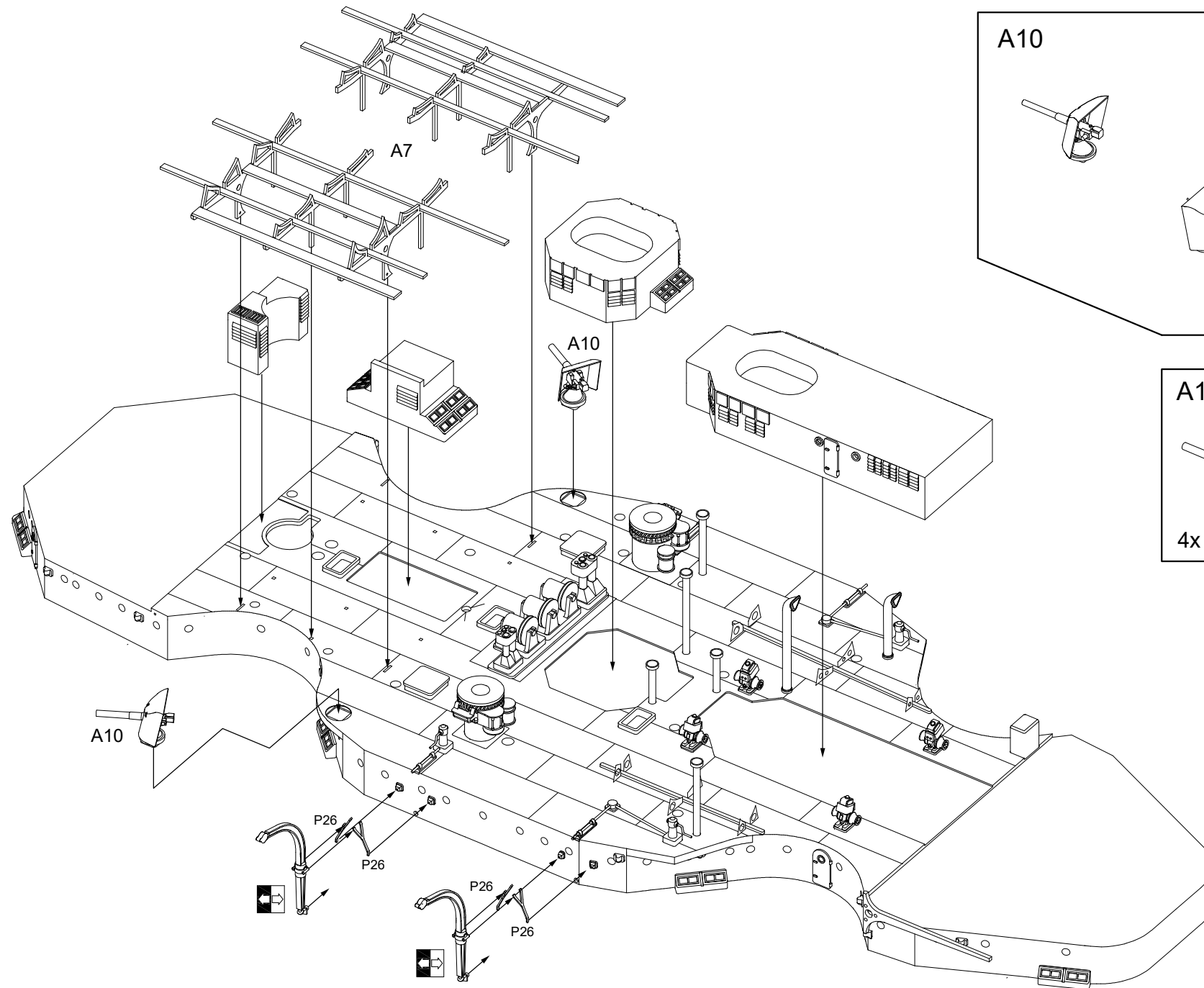


A8

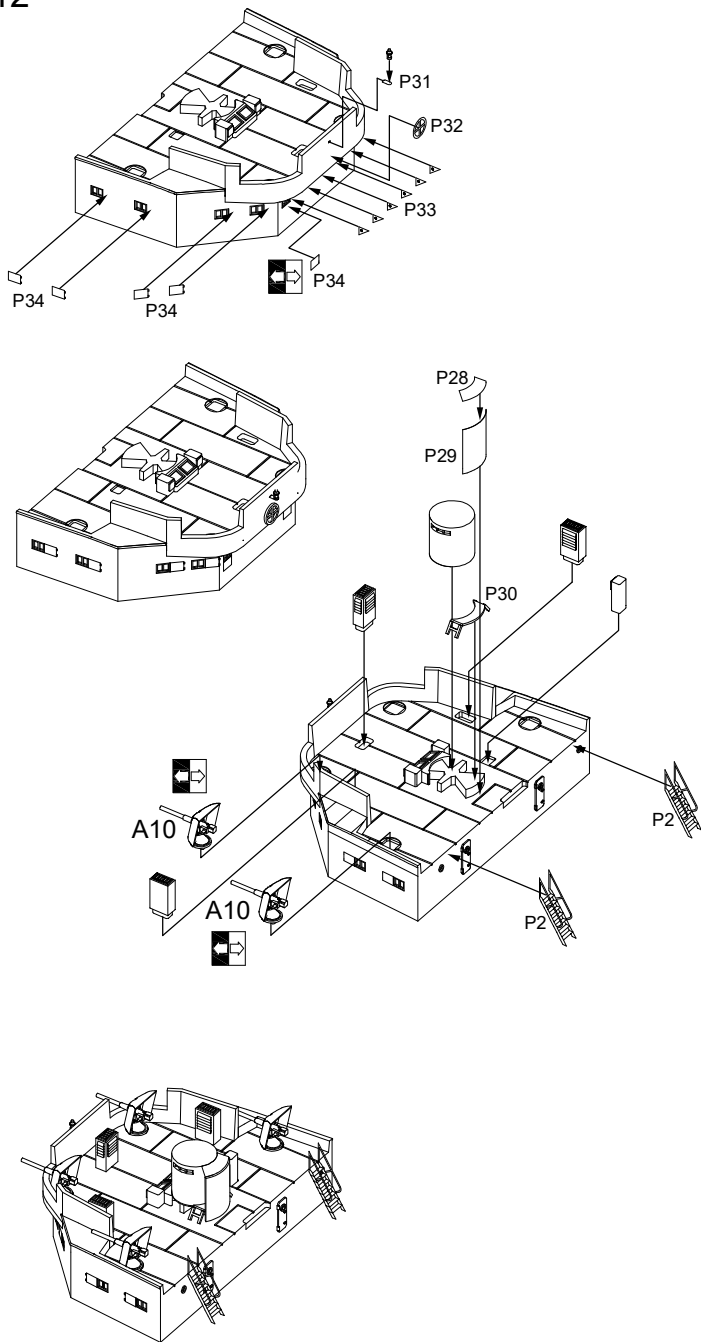


A9

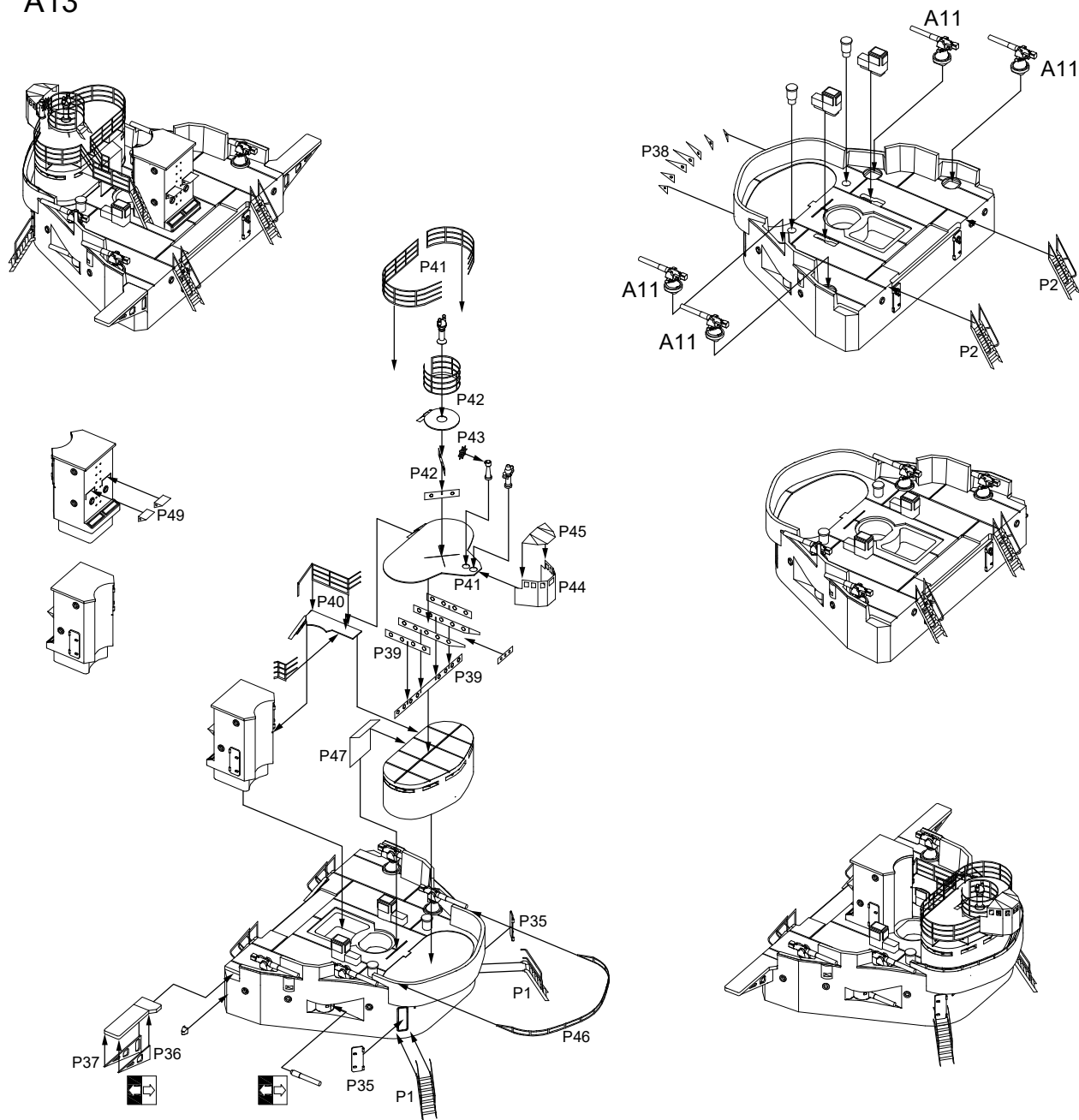




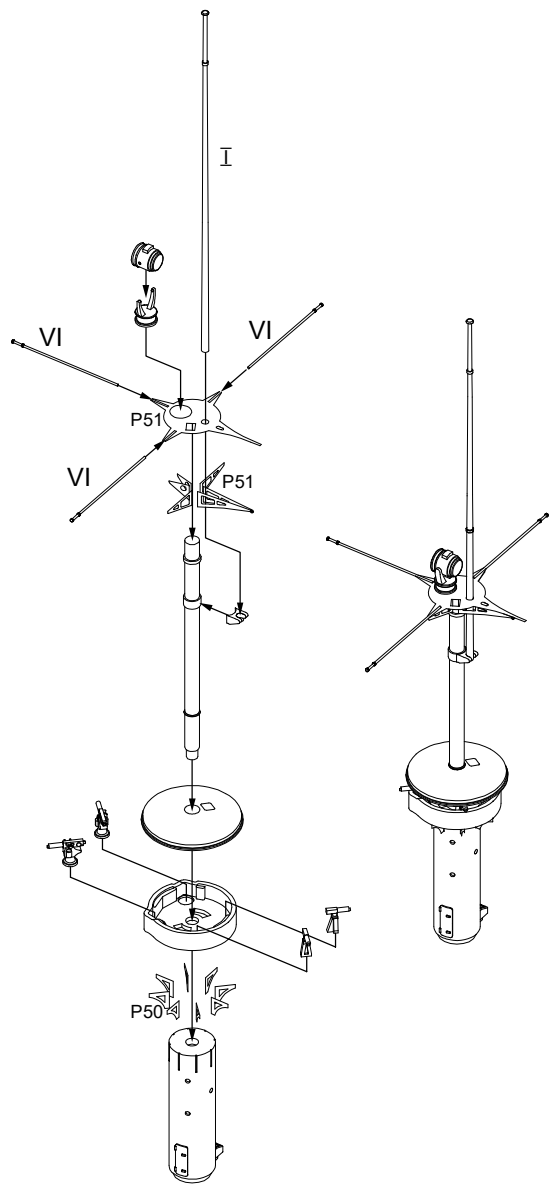
A12



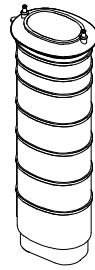
A13



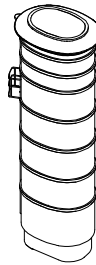
A14



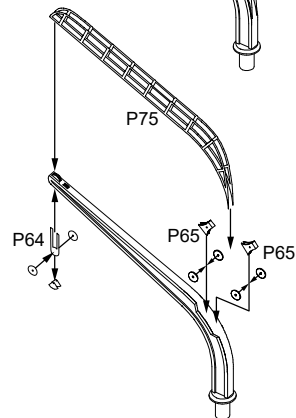
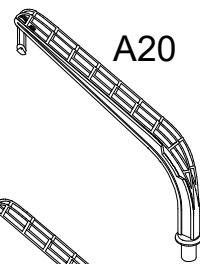
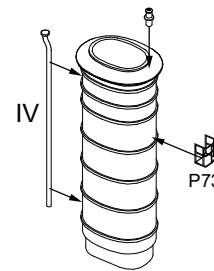
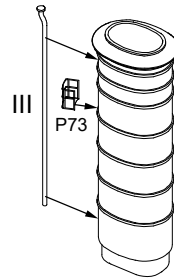
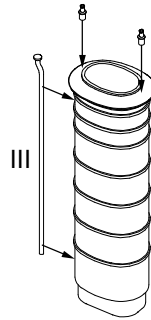
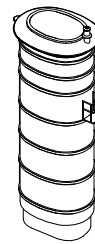
A18



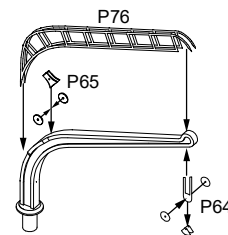
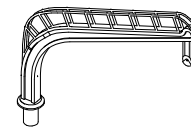
A17



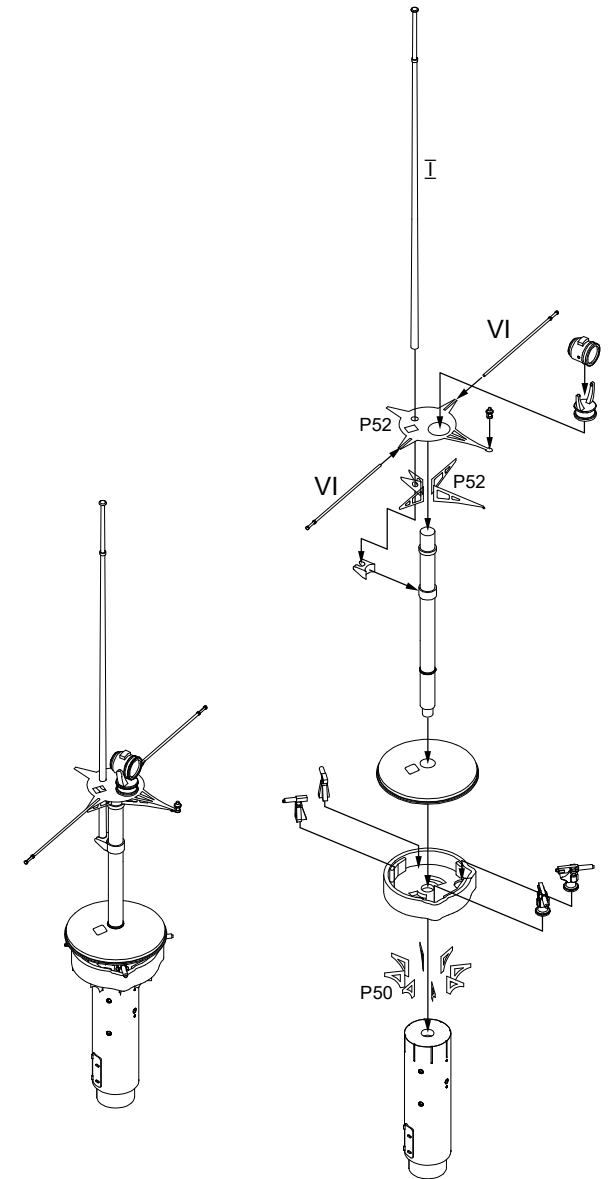
A16

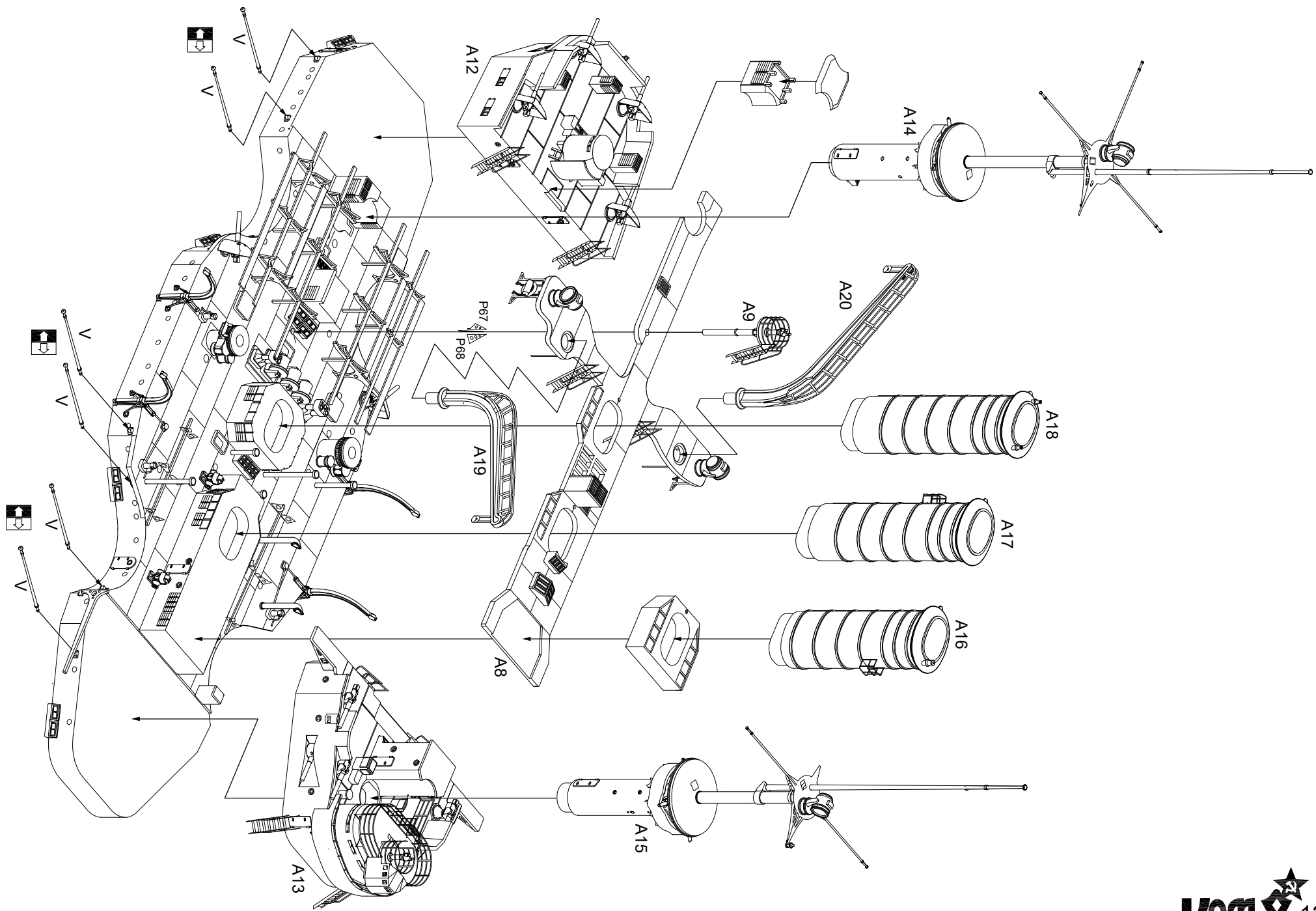


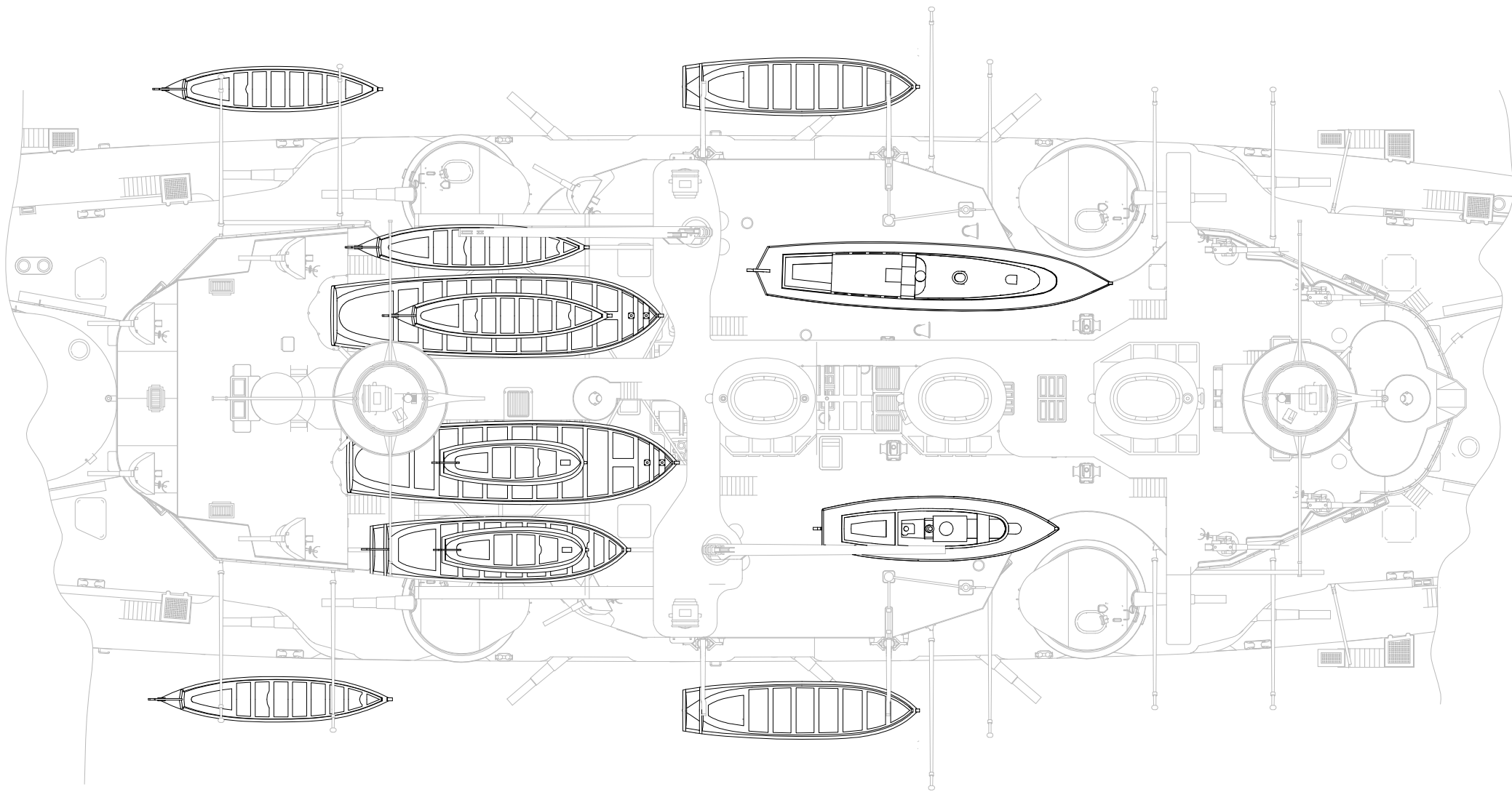
A19



A15







Boats location.

70517 For more info on Combrig kits see: www.combrig-models.com www.steelnavy.net www.modelwarships.com