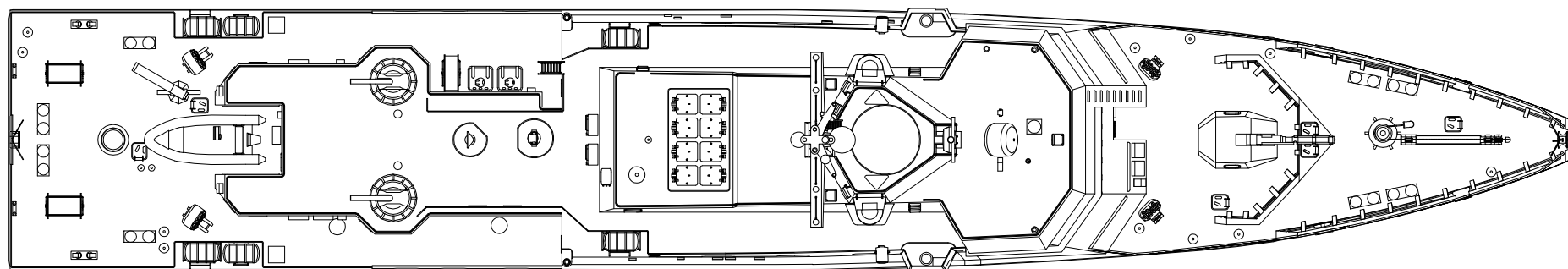
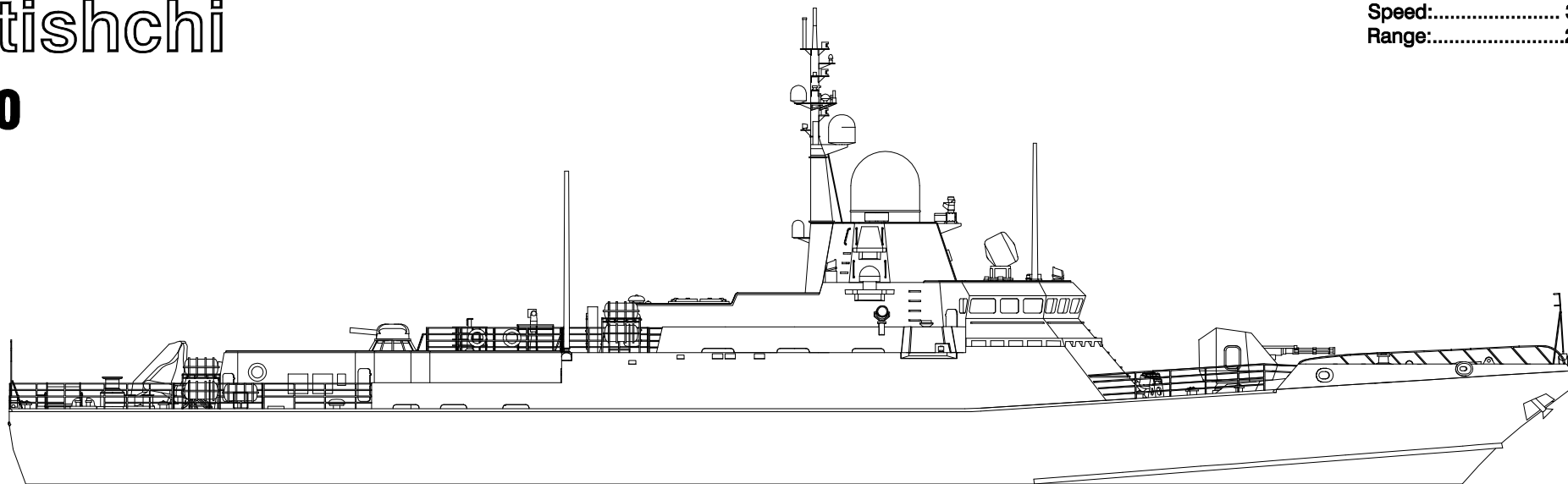


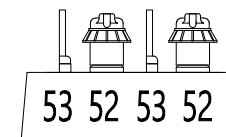
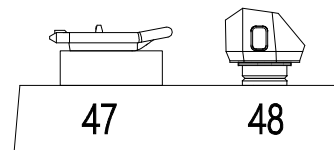
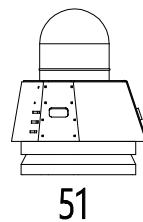
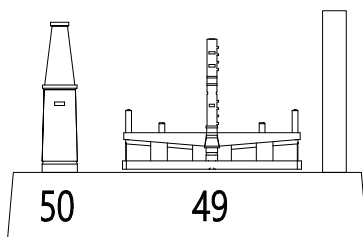
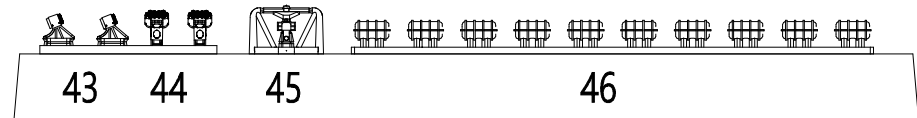
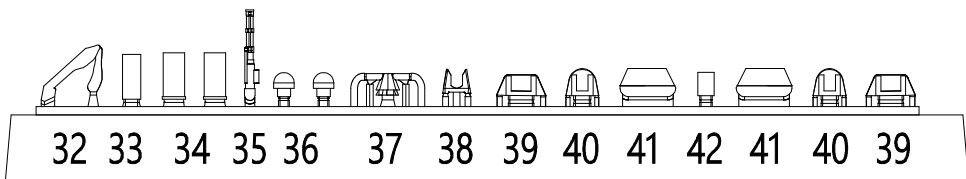
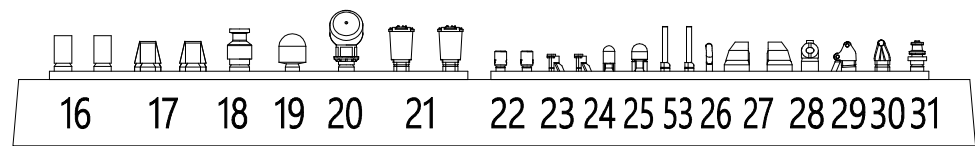
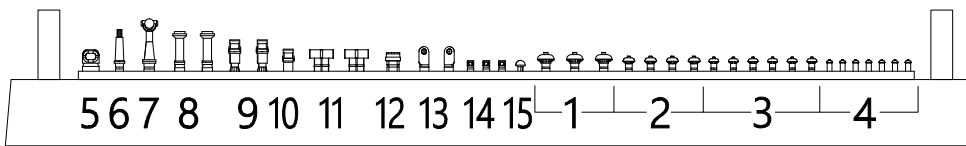
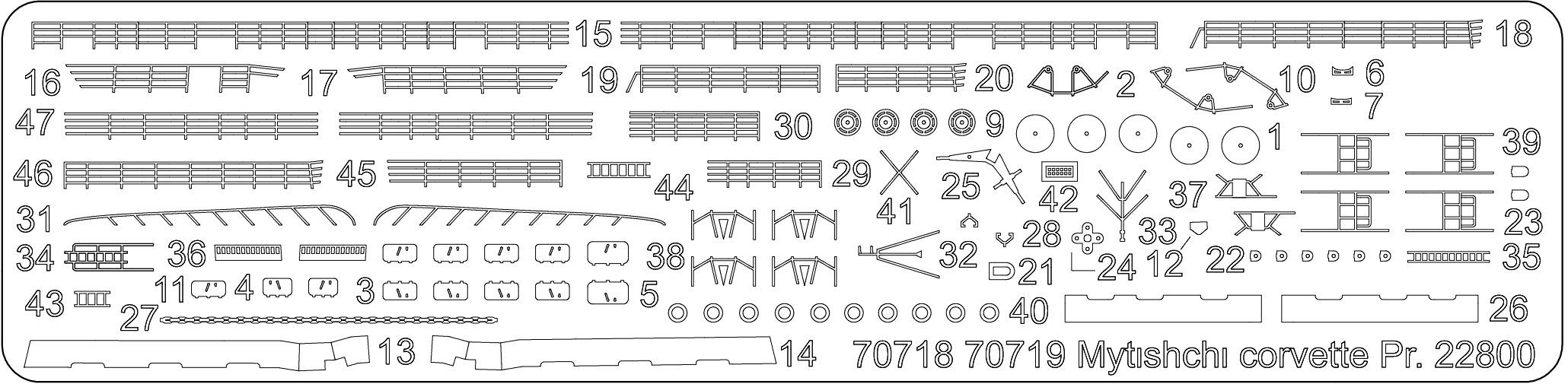
Pr.22800 Karakurt-class corvette

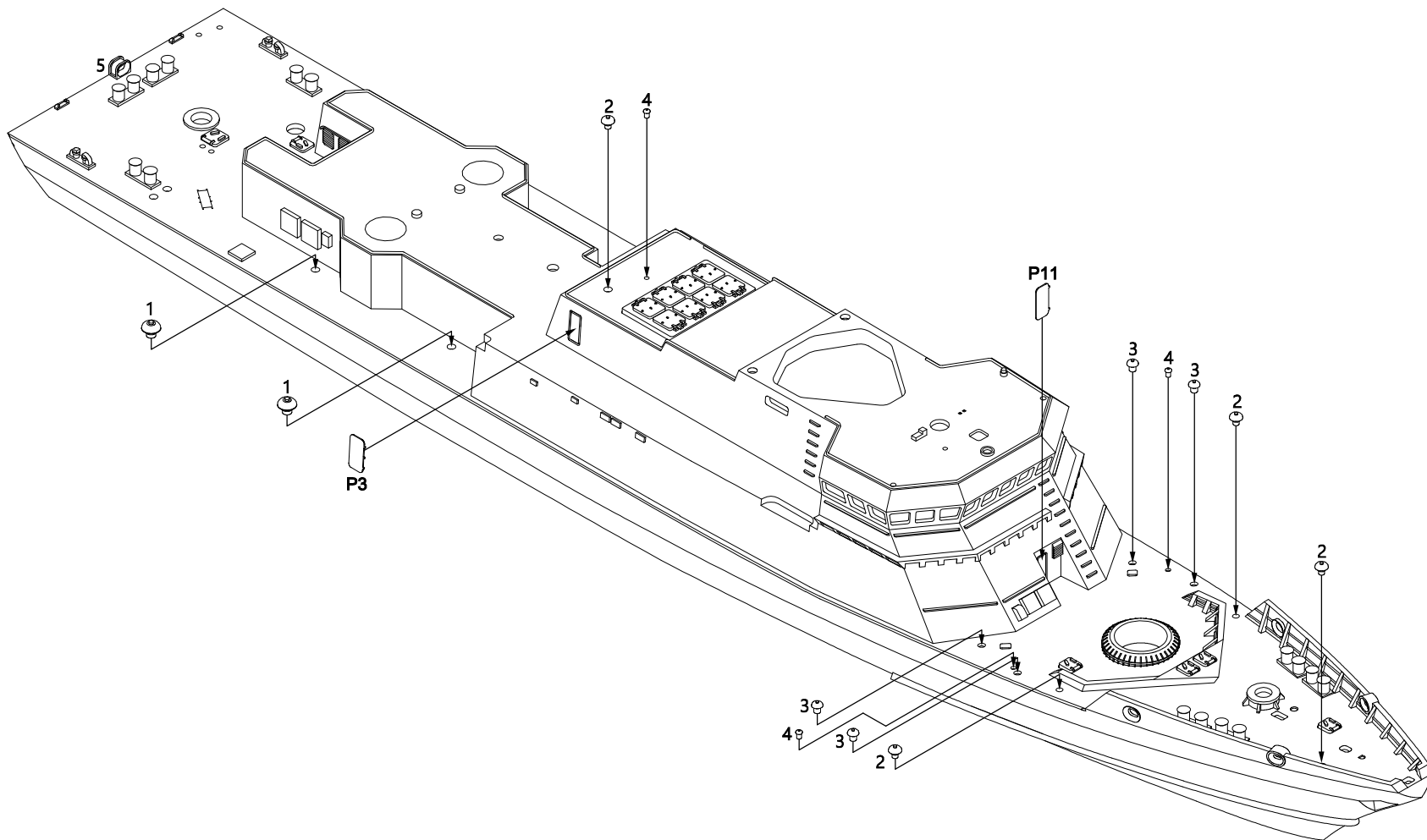
Mytishchi

1/700

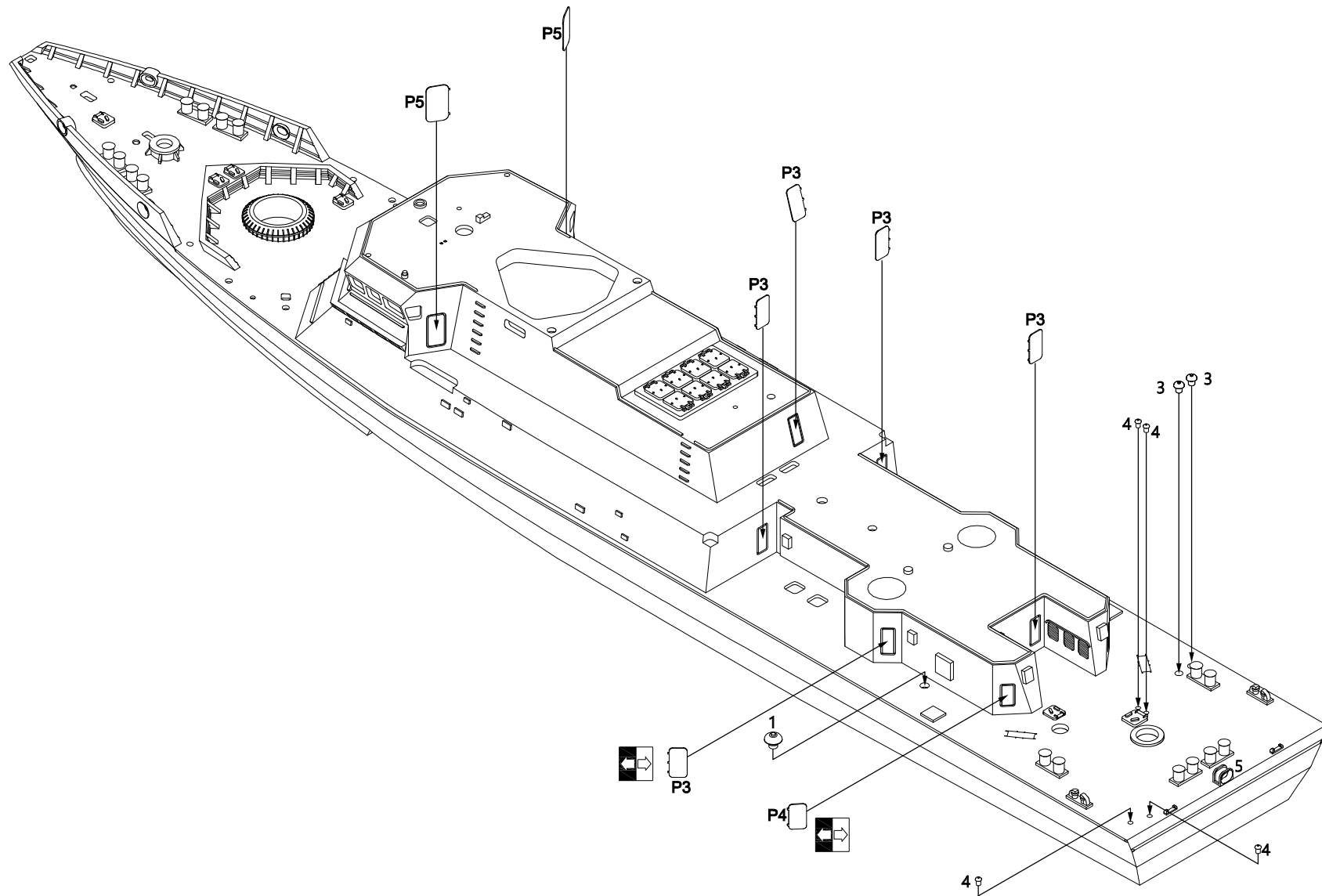
Displacement:.....800 t/870 t
Length:.....67 m
Beam:.....11 m
Draft:.....3.3 m
Speed:..... 30 knots
Range:.....2500 nmi

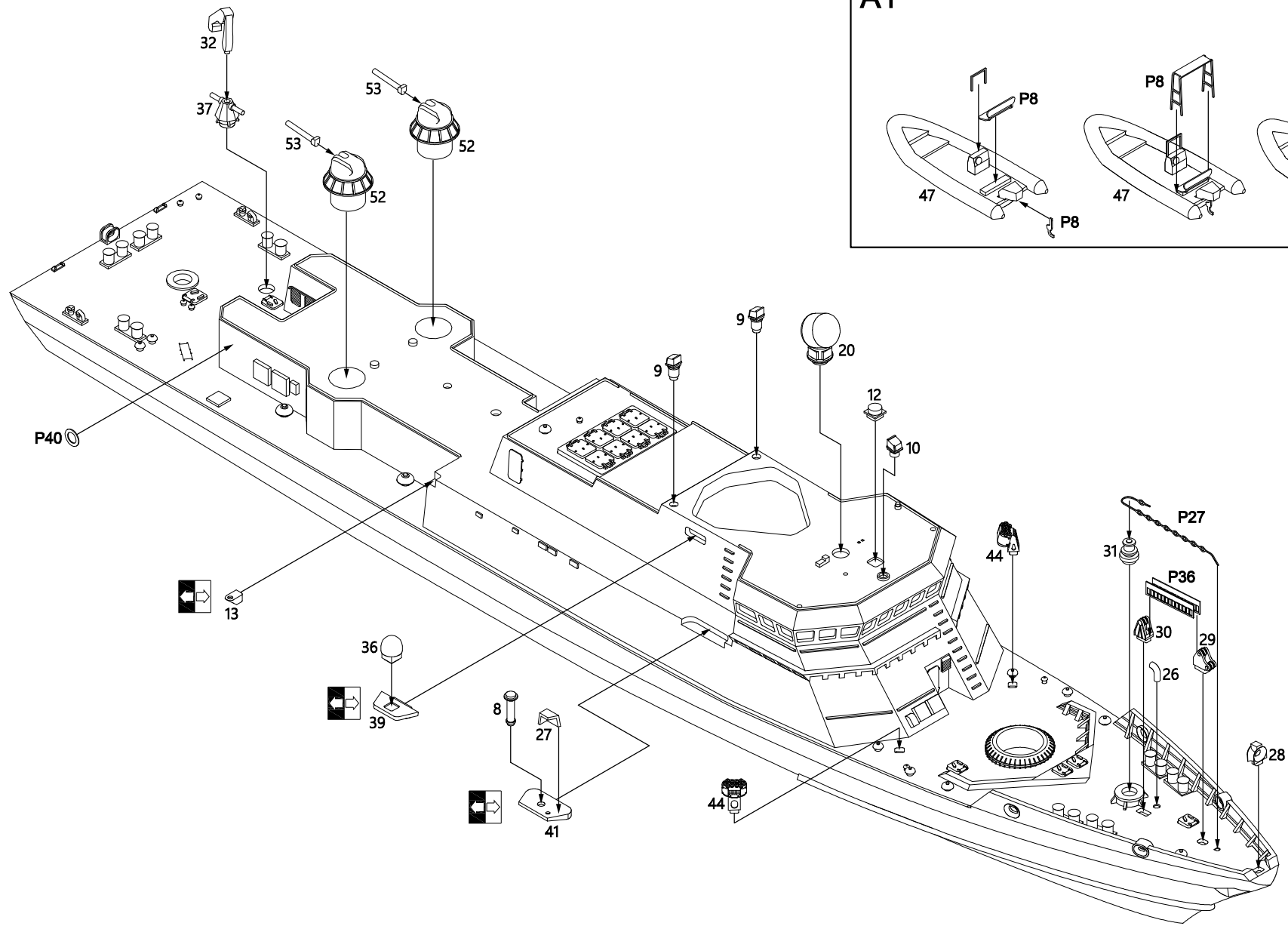




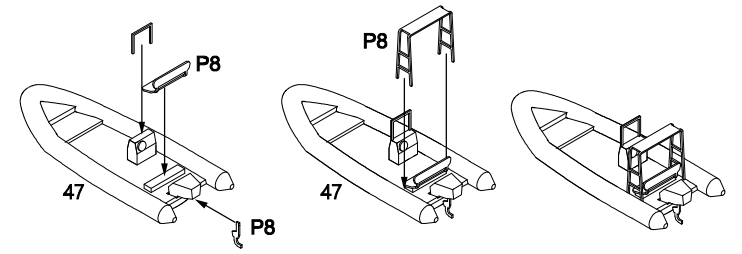


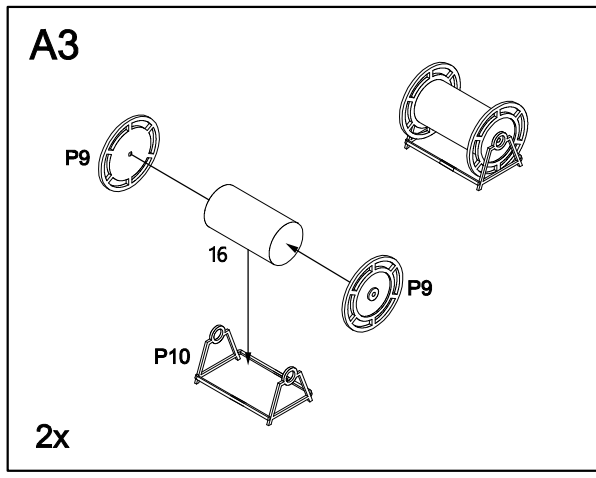
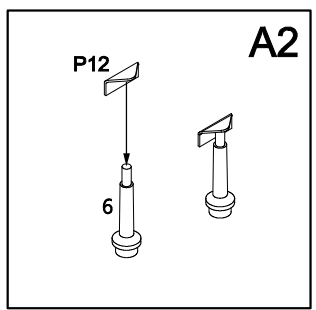
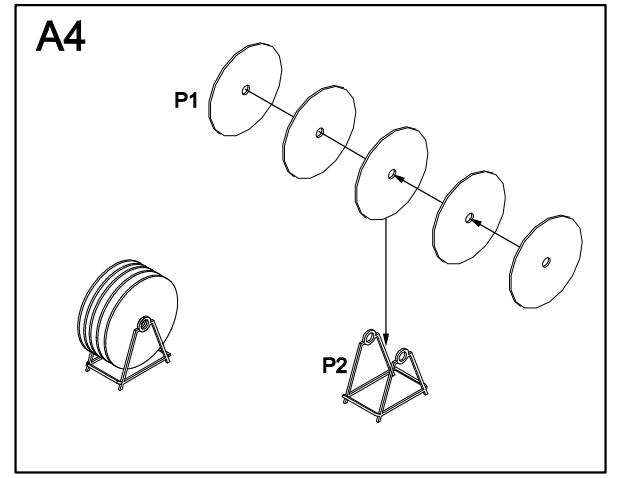
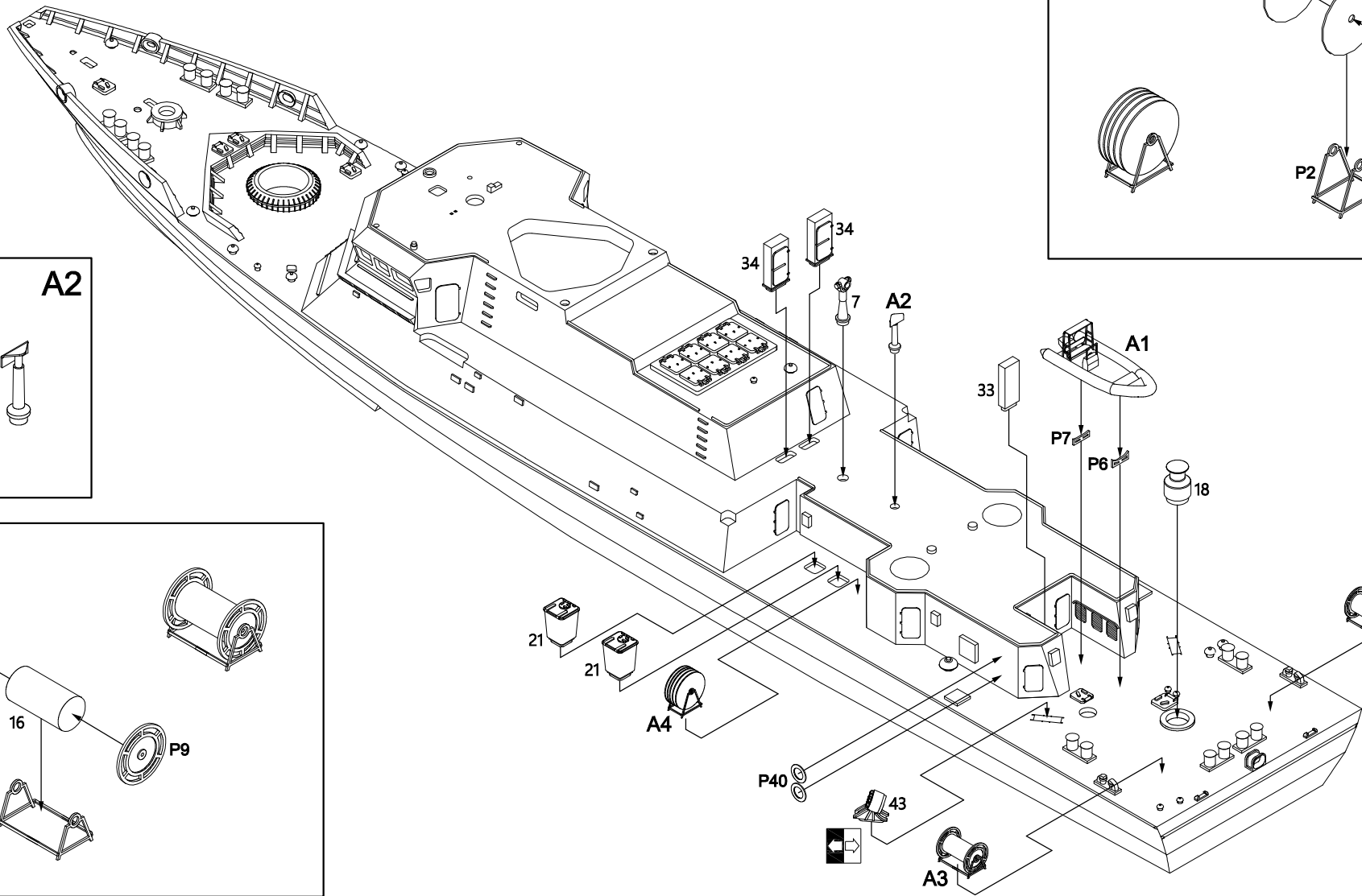
Please note that the assembly guide reflects the position of the parts when installed only, and not the exact order of the assembly.
To download the assembly instructions in PDF (high resolution) please visit www.combrig-models.com

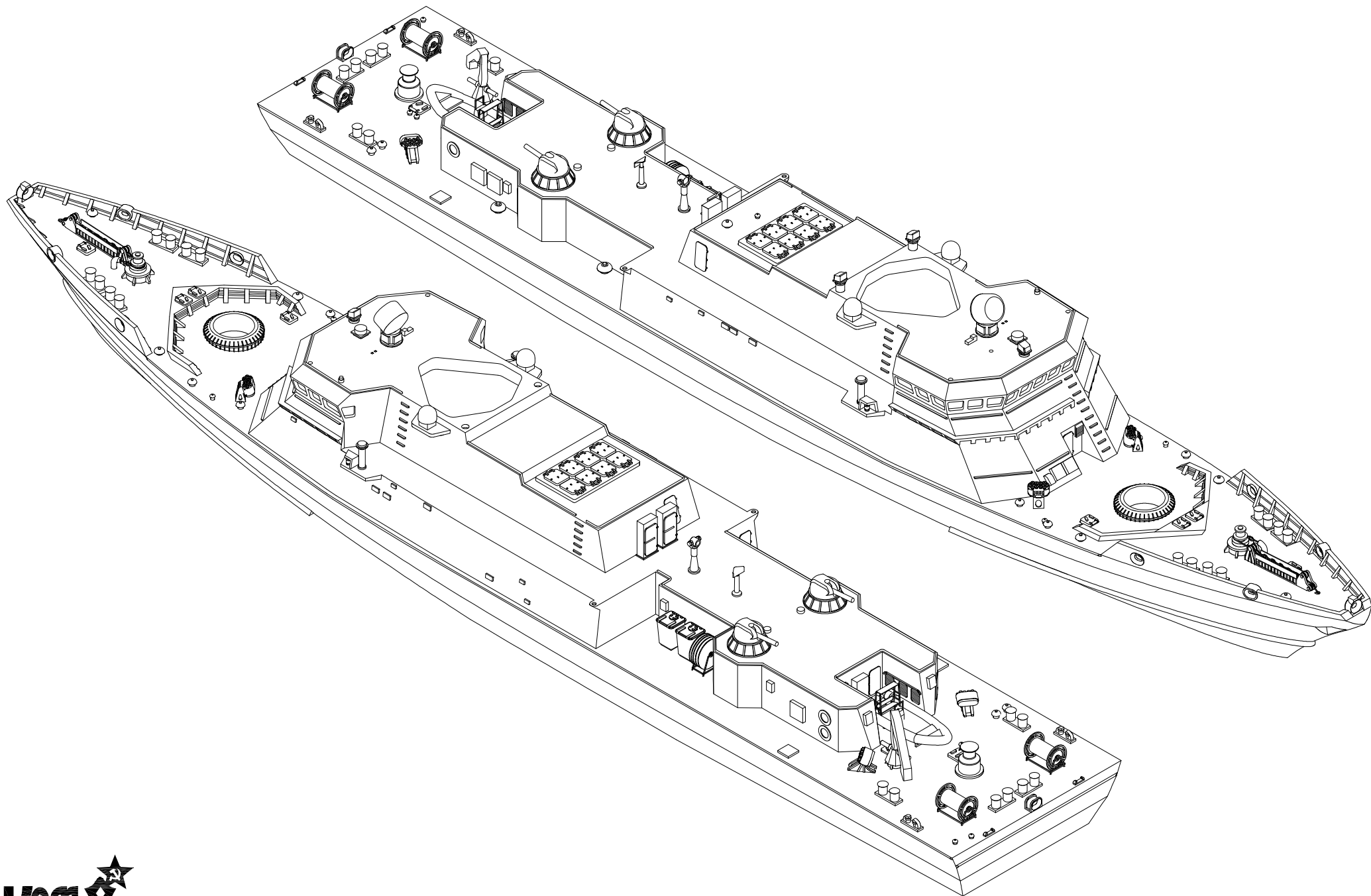


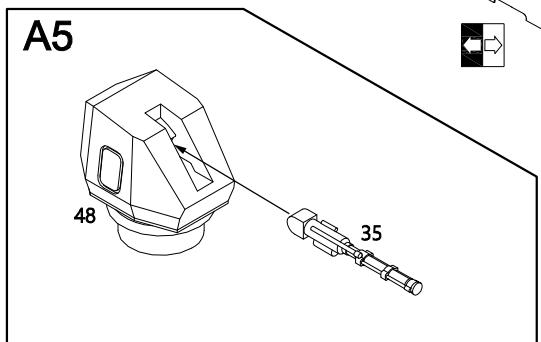
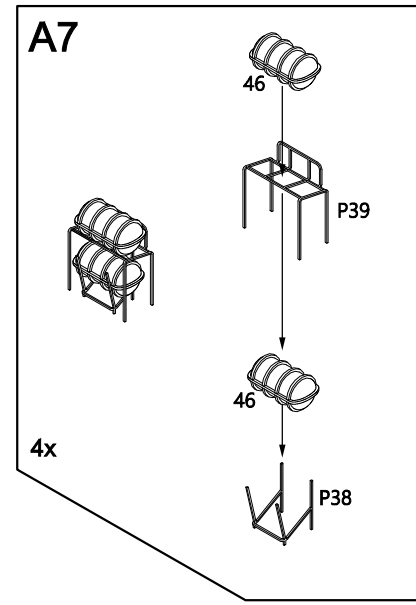
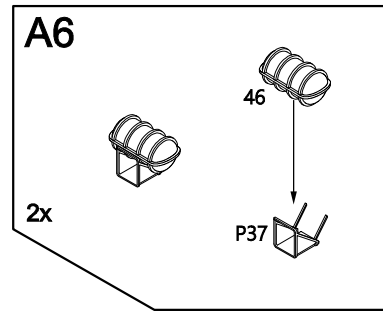
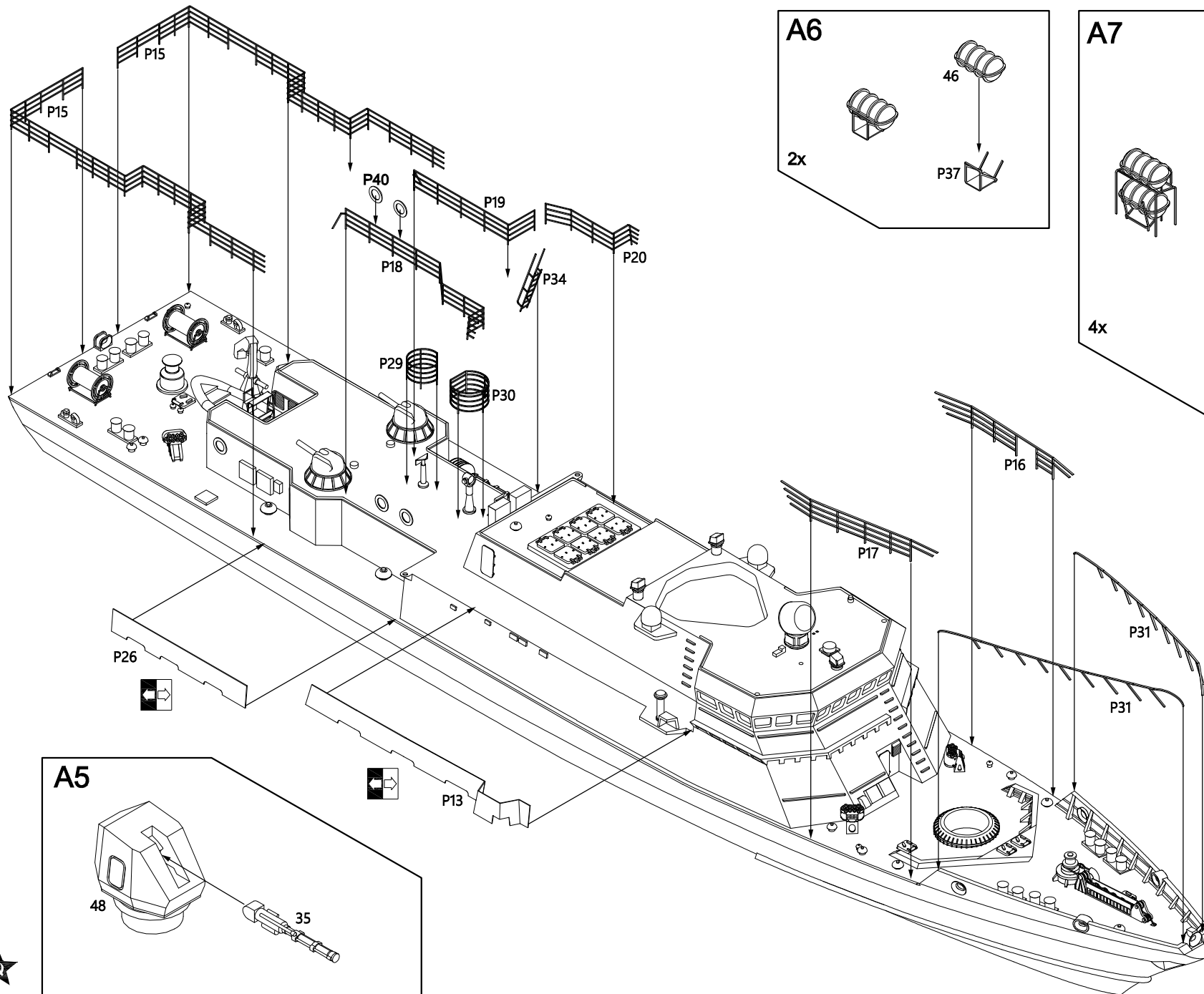


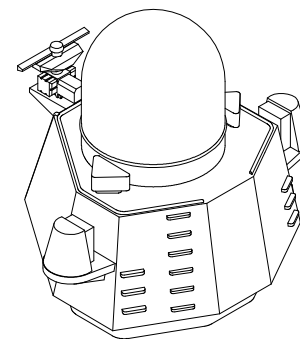
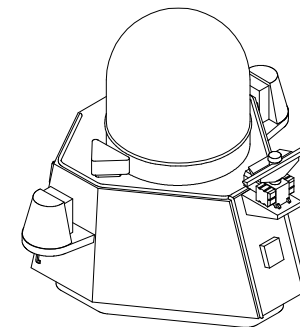
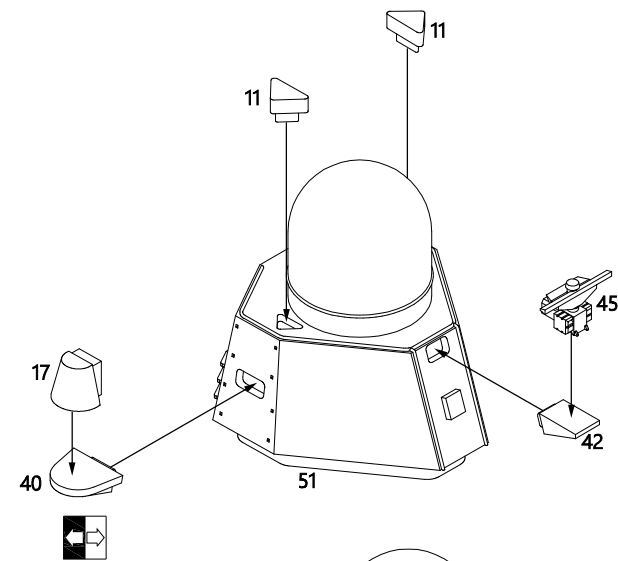
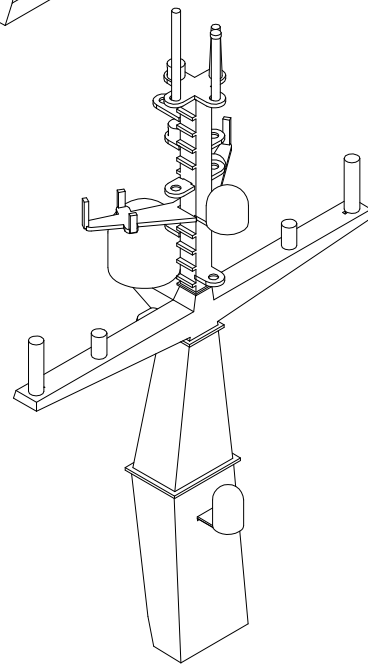
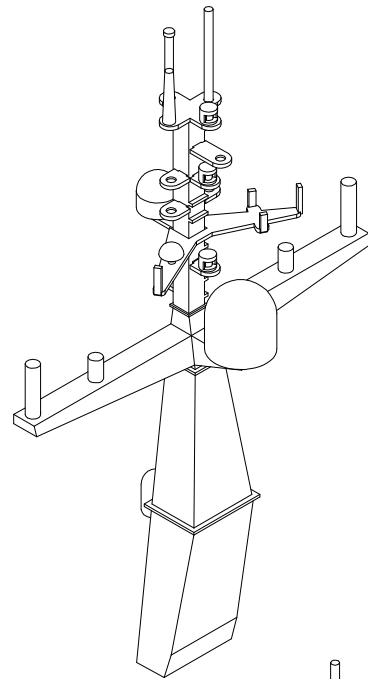
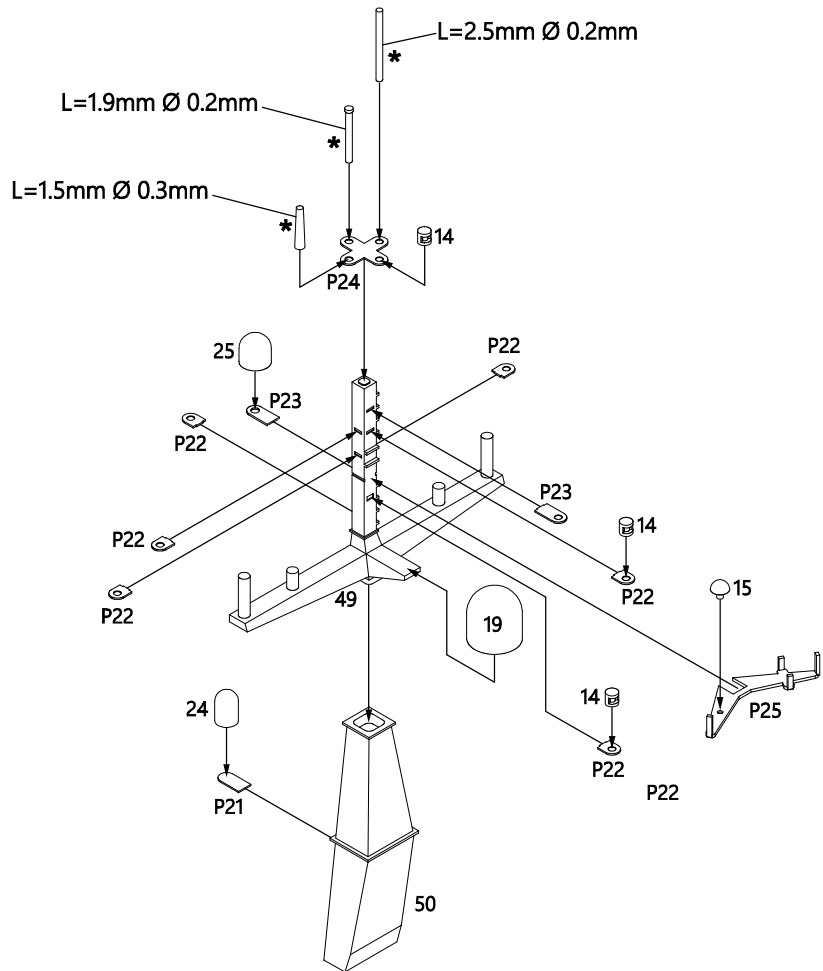
A1



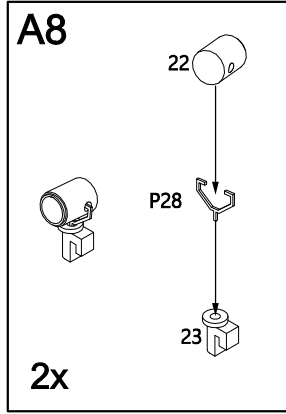
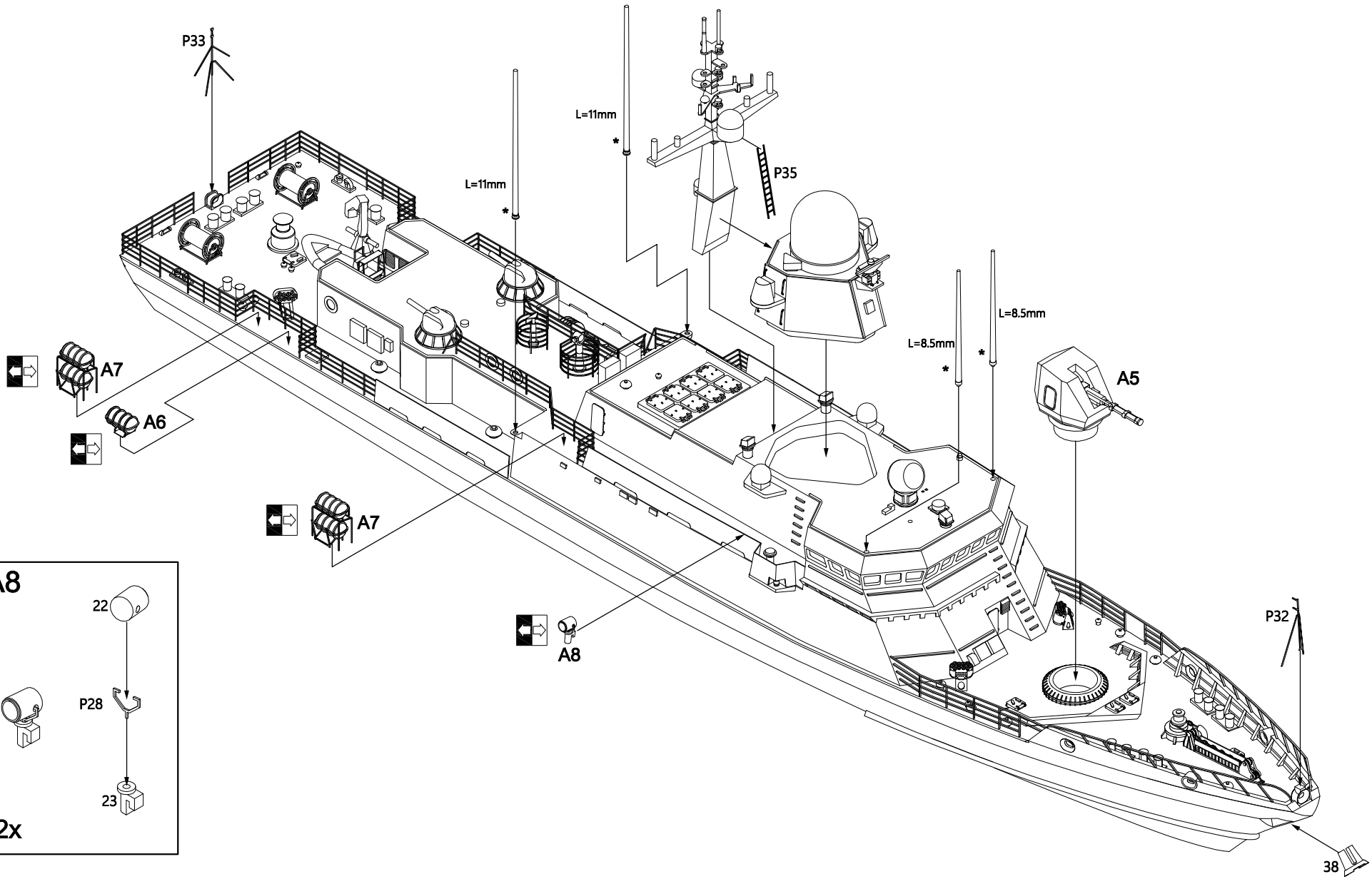








*-self made parts



*-self made parts