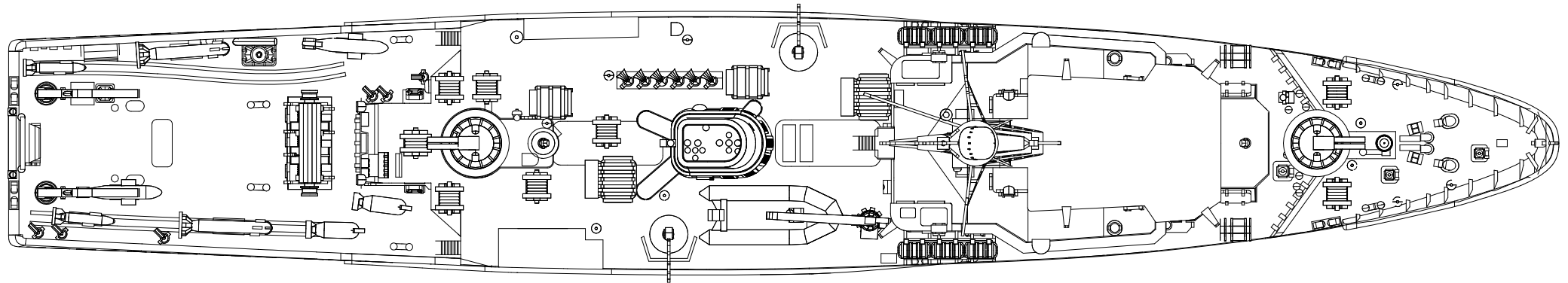
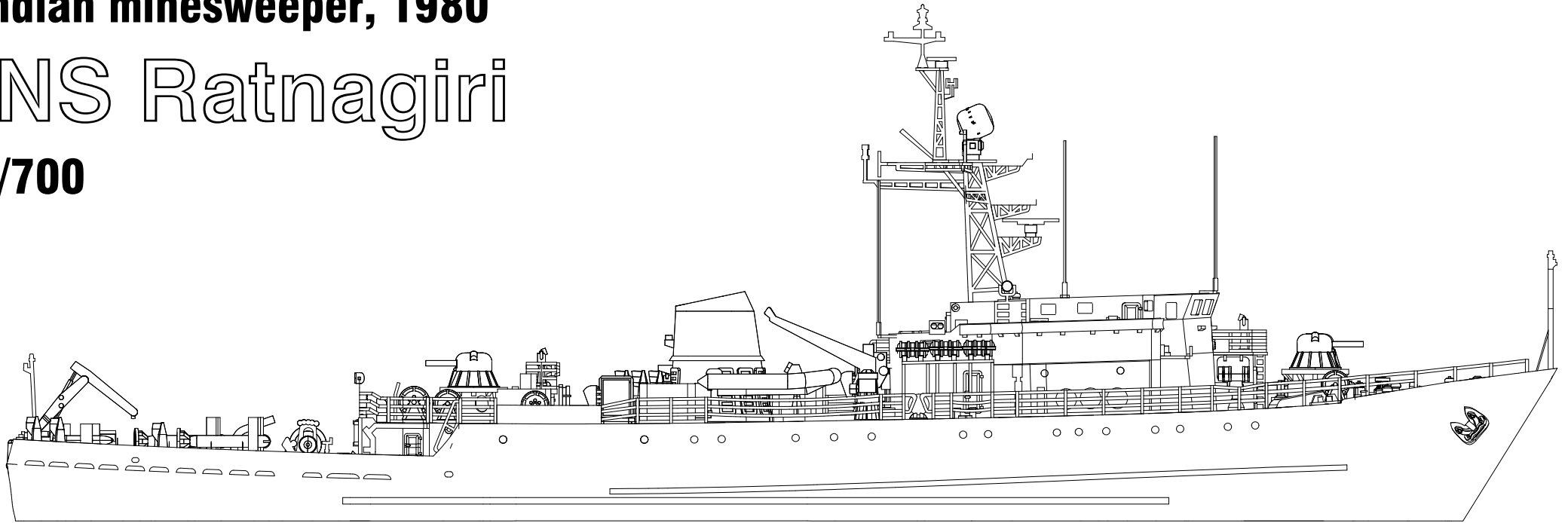
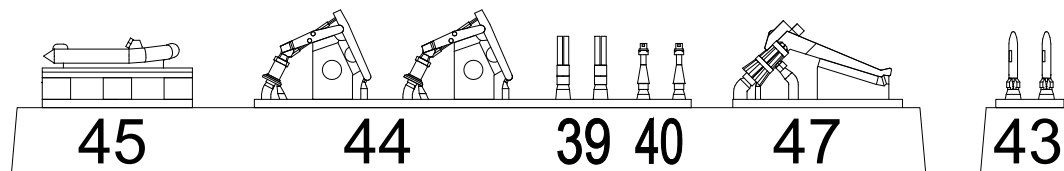
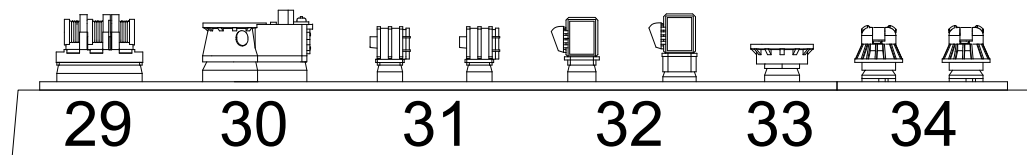
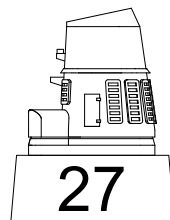
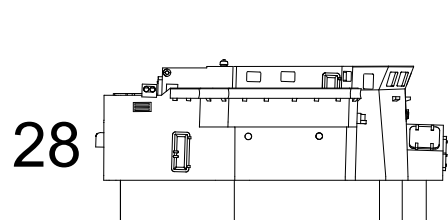
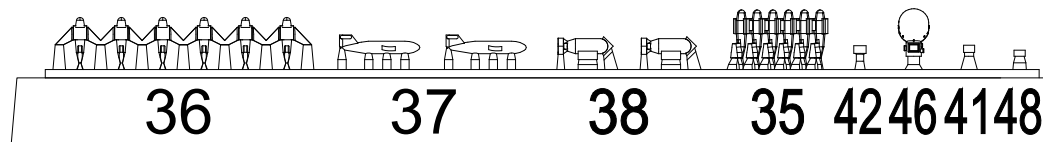
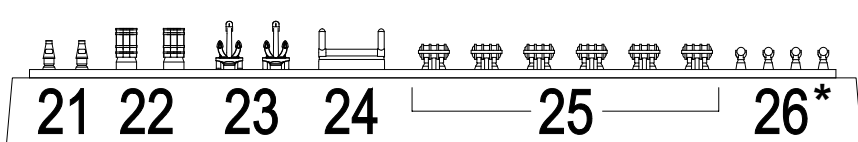
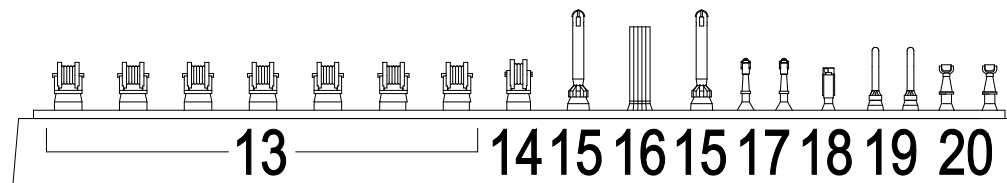
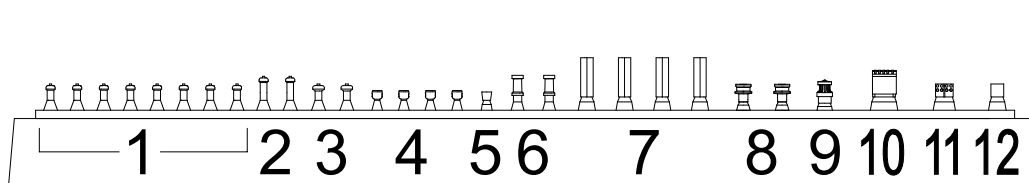
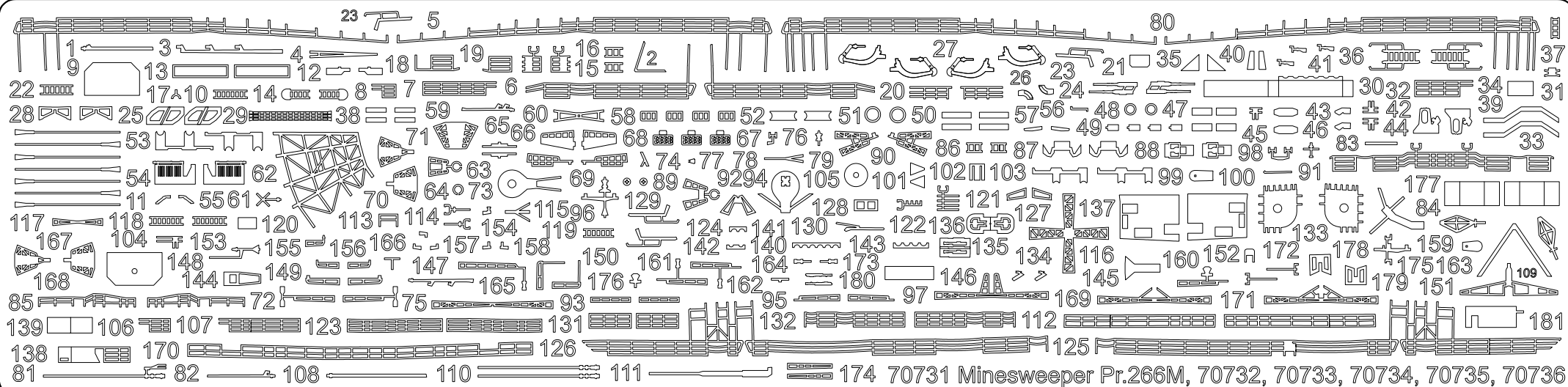


Indian minesweeper, 1980

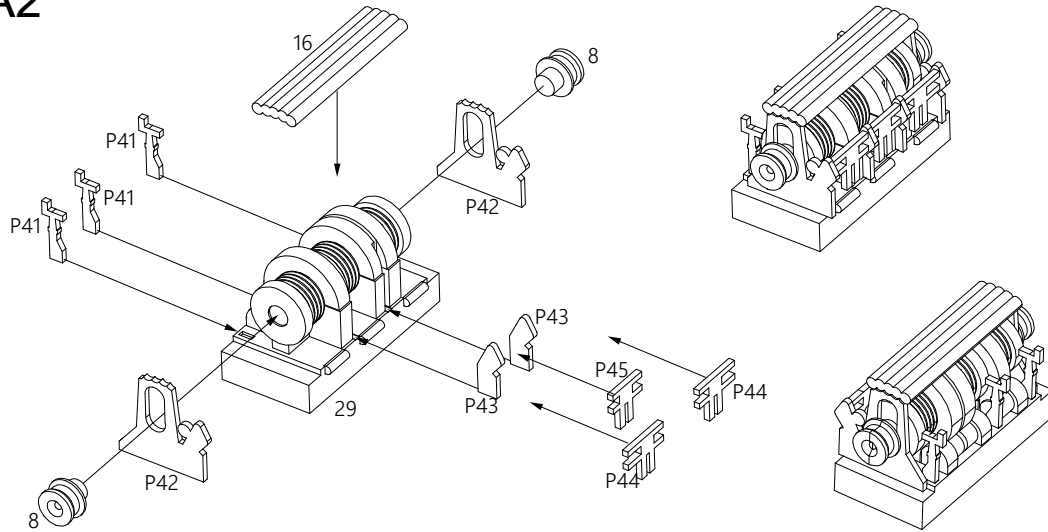
INS Ratnagiri

1/700

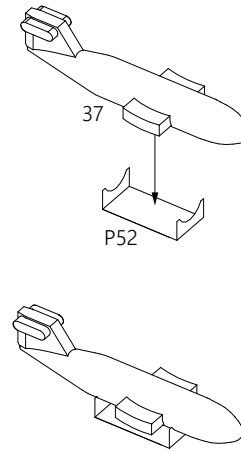




A2

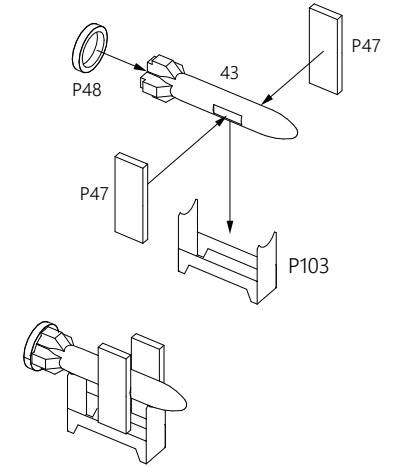


A3



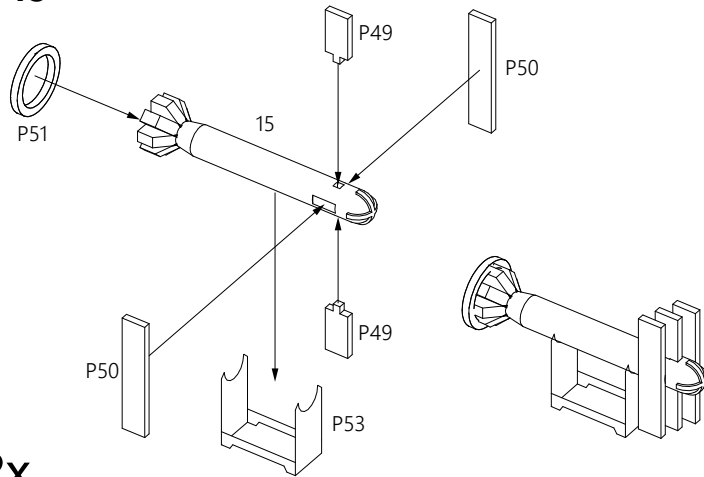
2x

A5



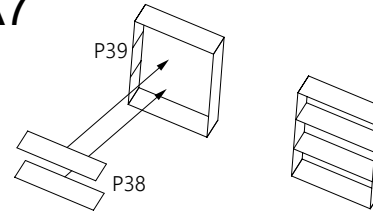
2x

A6

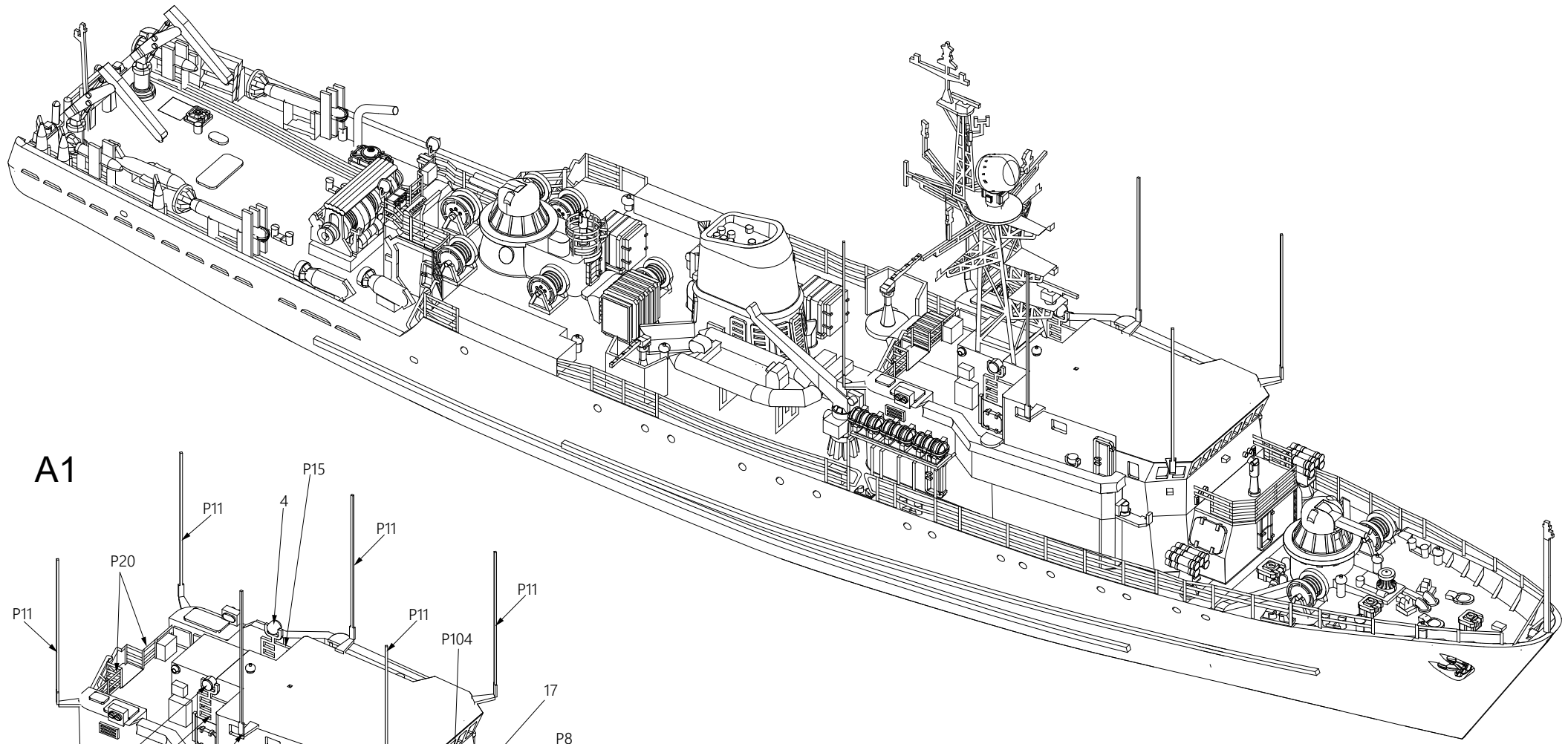


2x

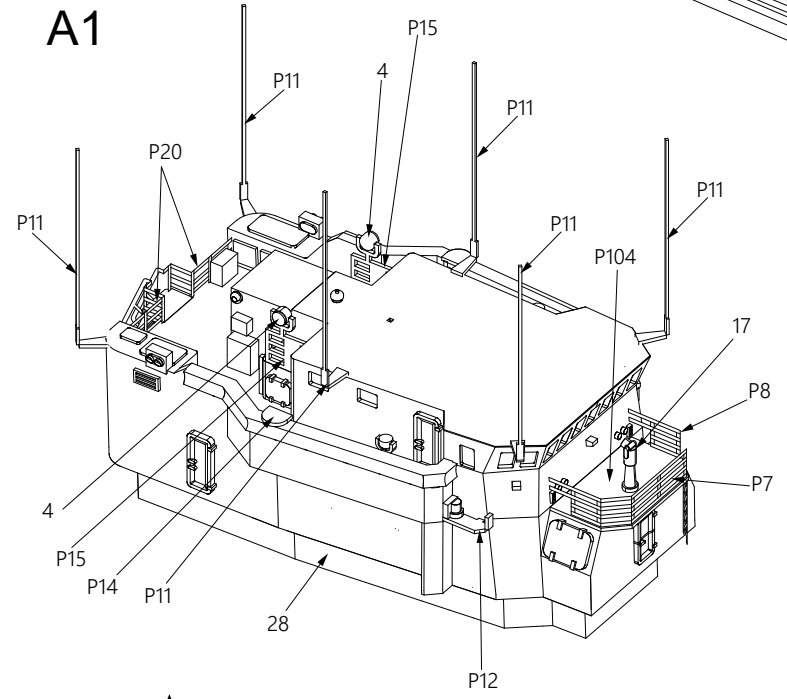
A7

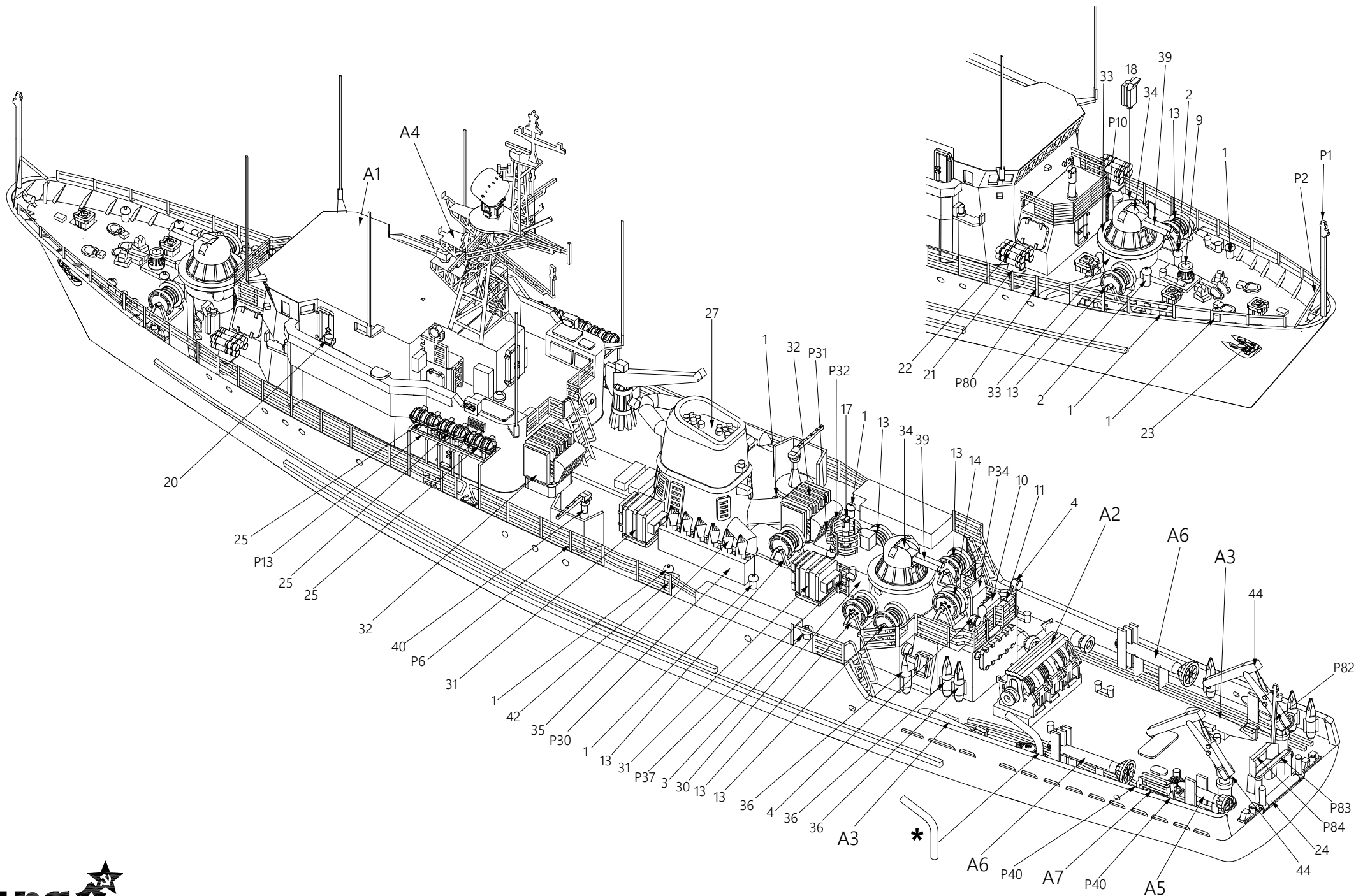


2x

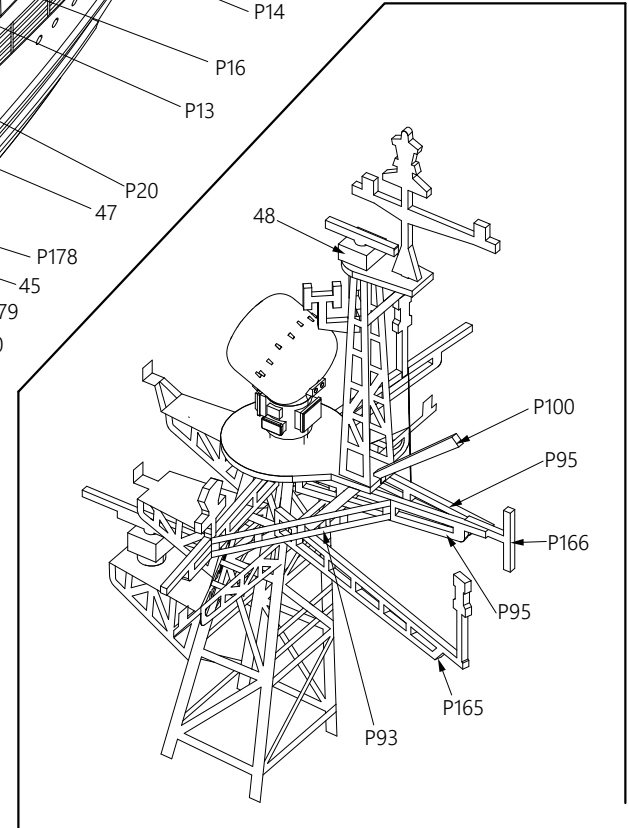
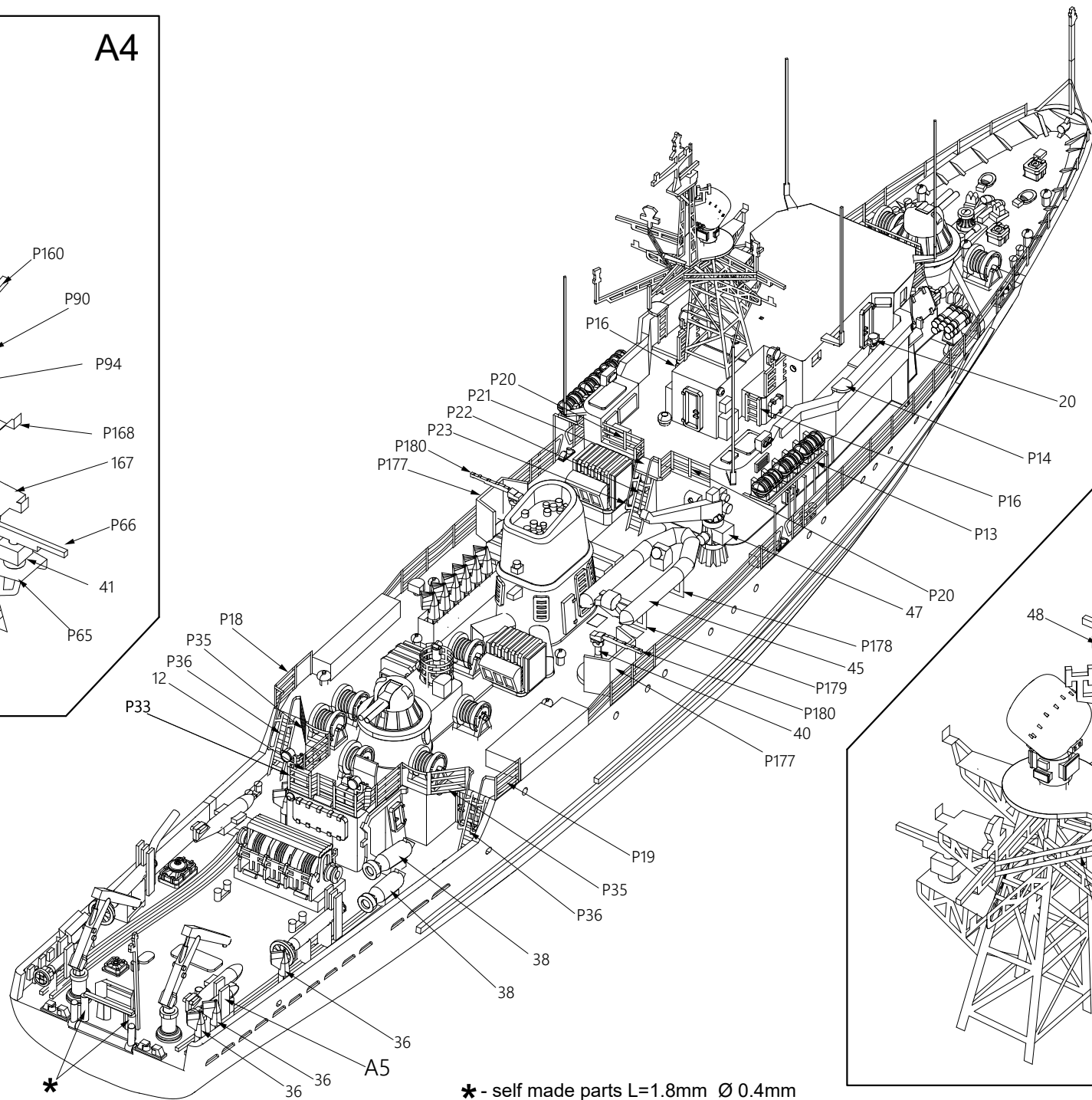
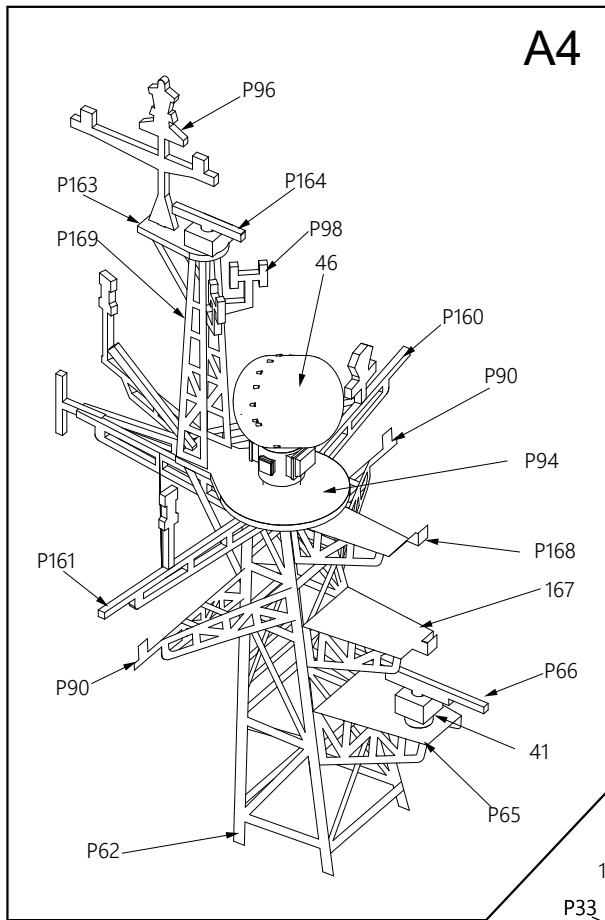


A1





A4



*

* - self made parts L=1.8mm Ø 0.4mm