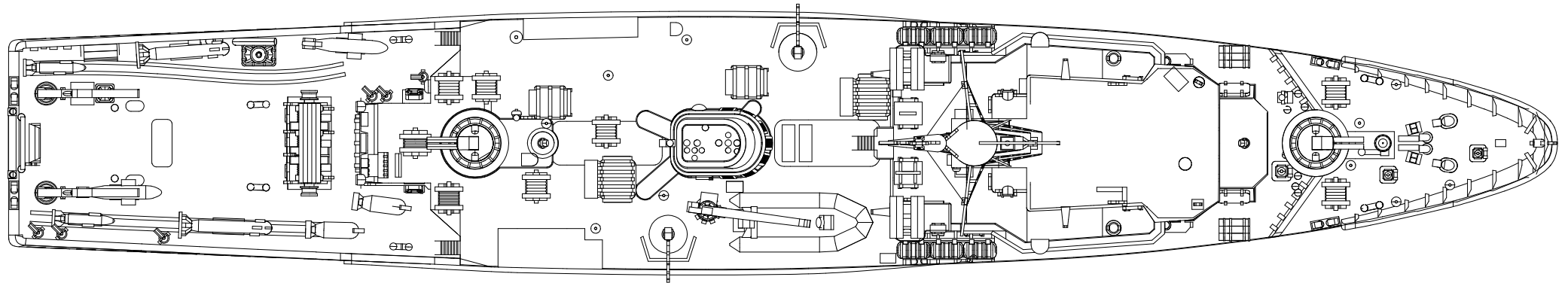
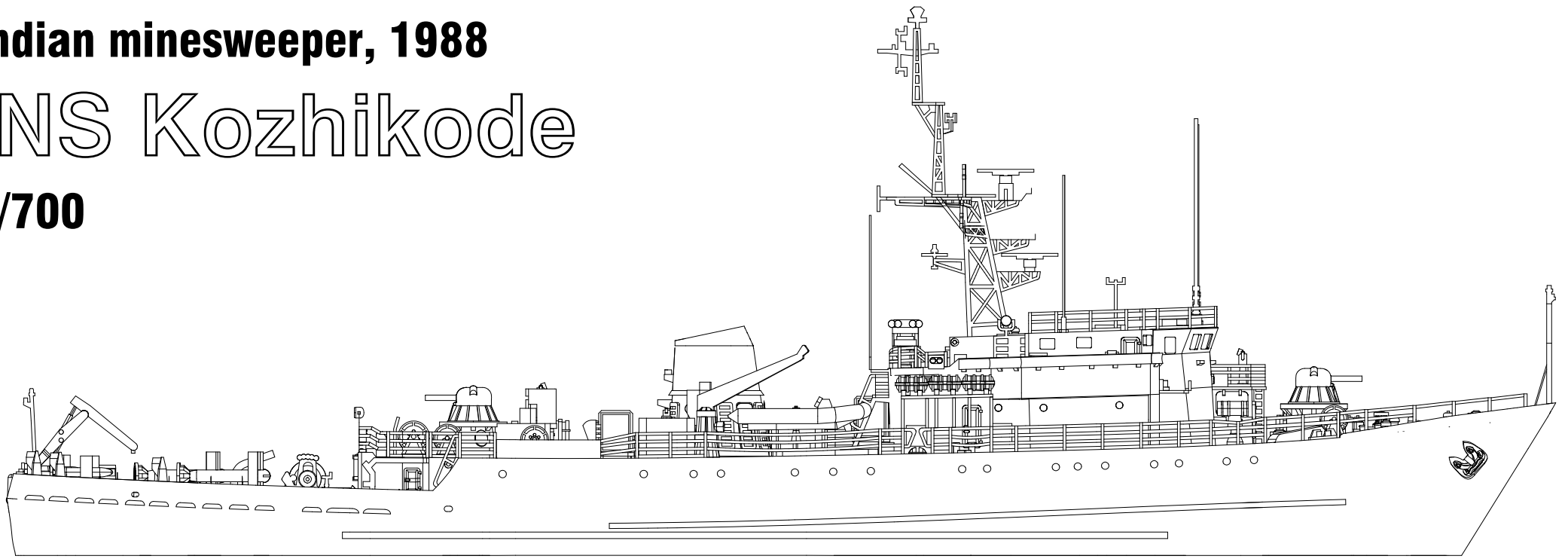
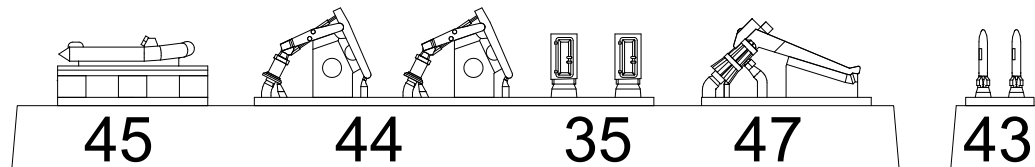
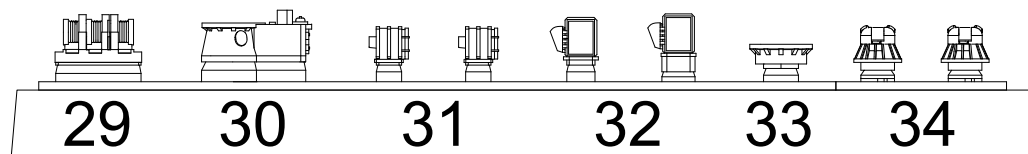
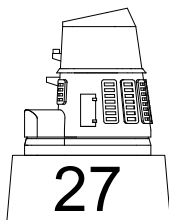
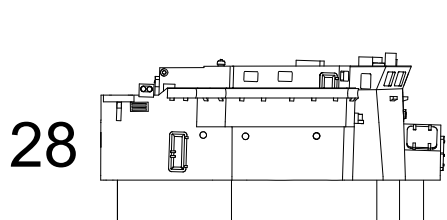
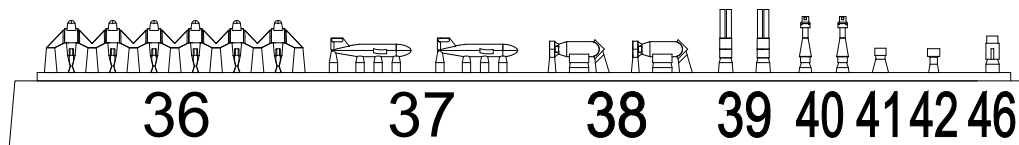
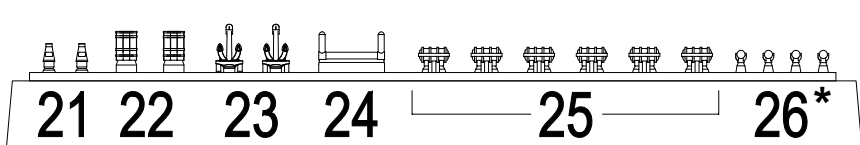
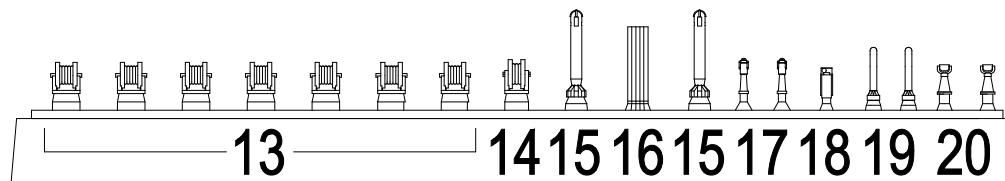
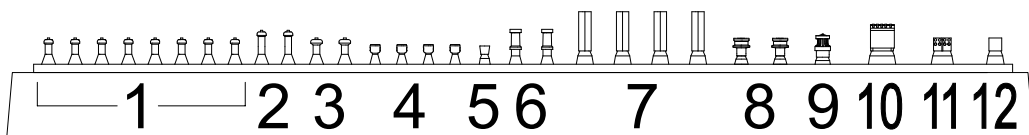
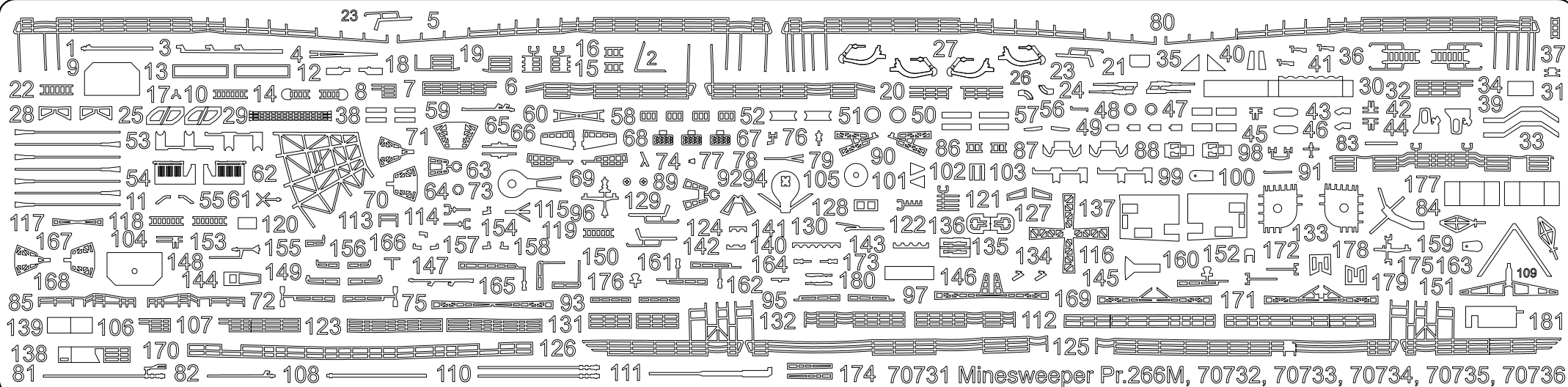


Indian minesweeper, 1988

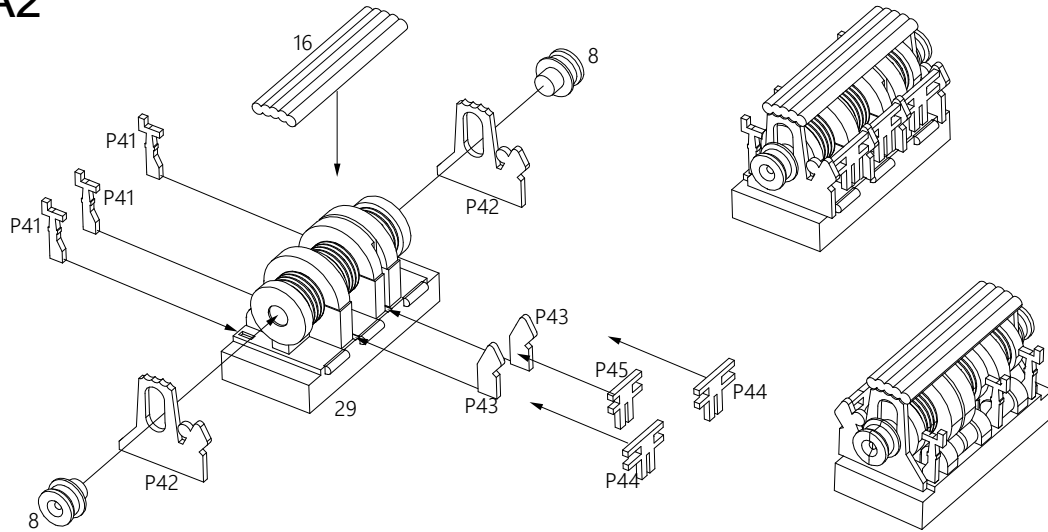
INS Kozhikode

1/700

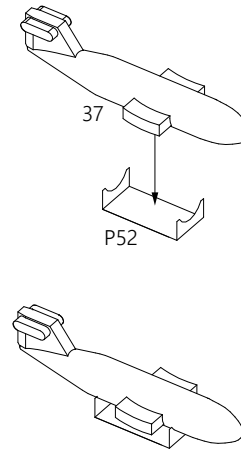




A2

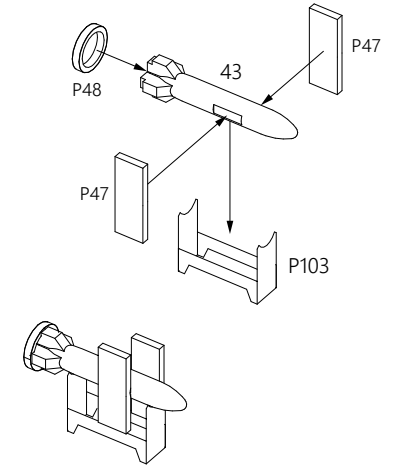


A3



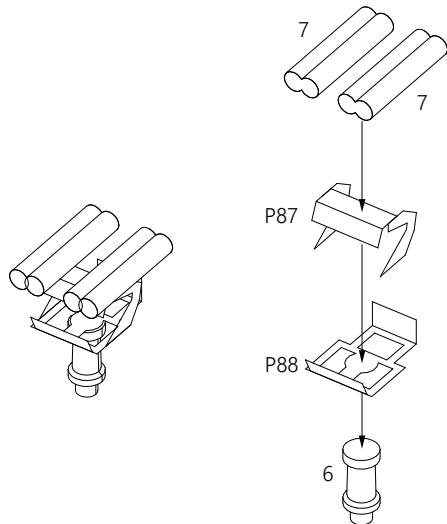
2x

A5



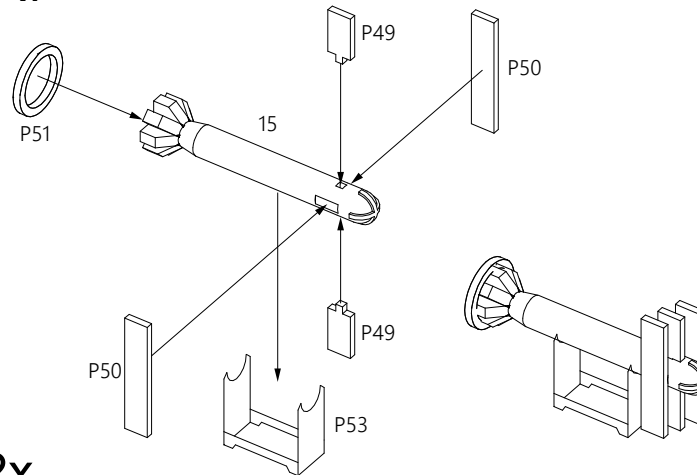
2x

A6



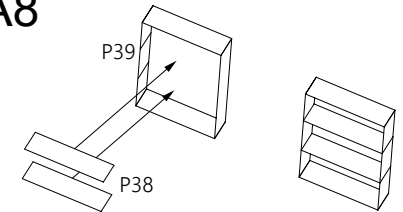
2x

A7



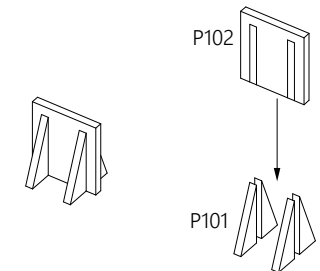
2x

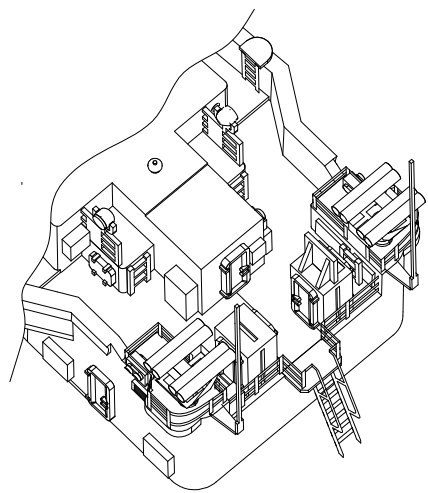
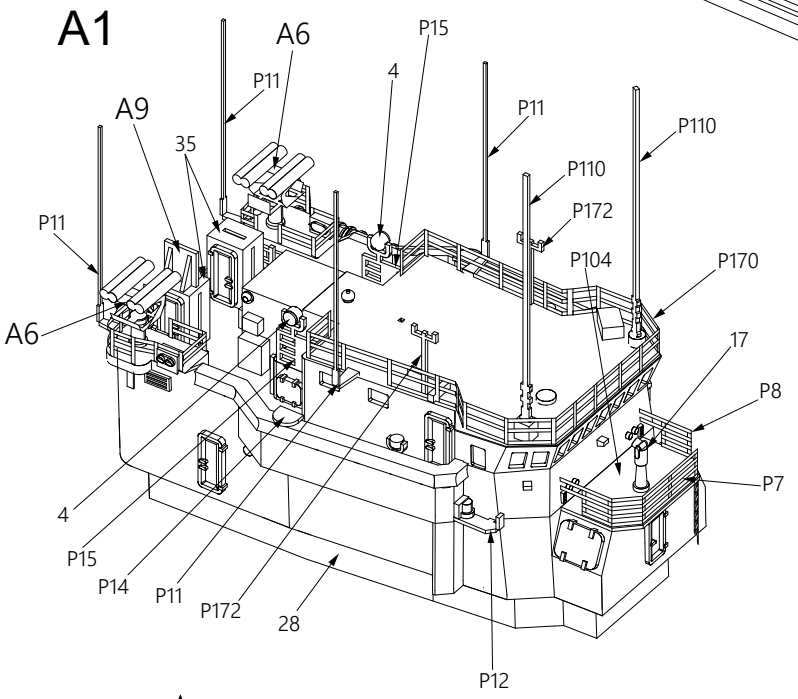
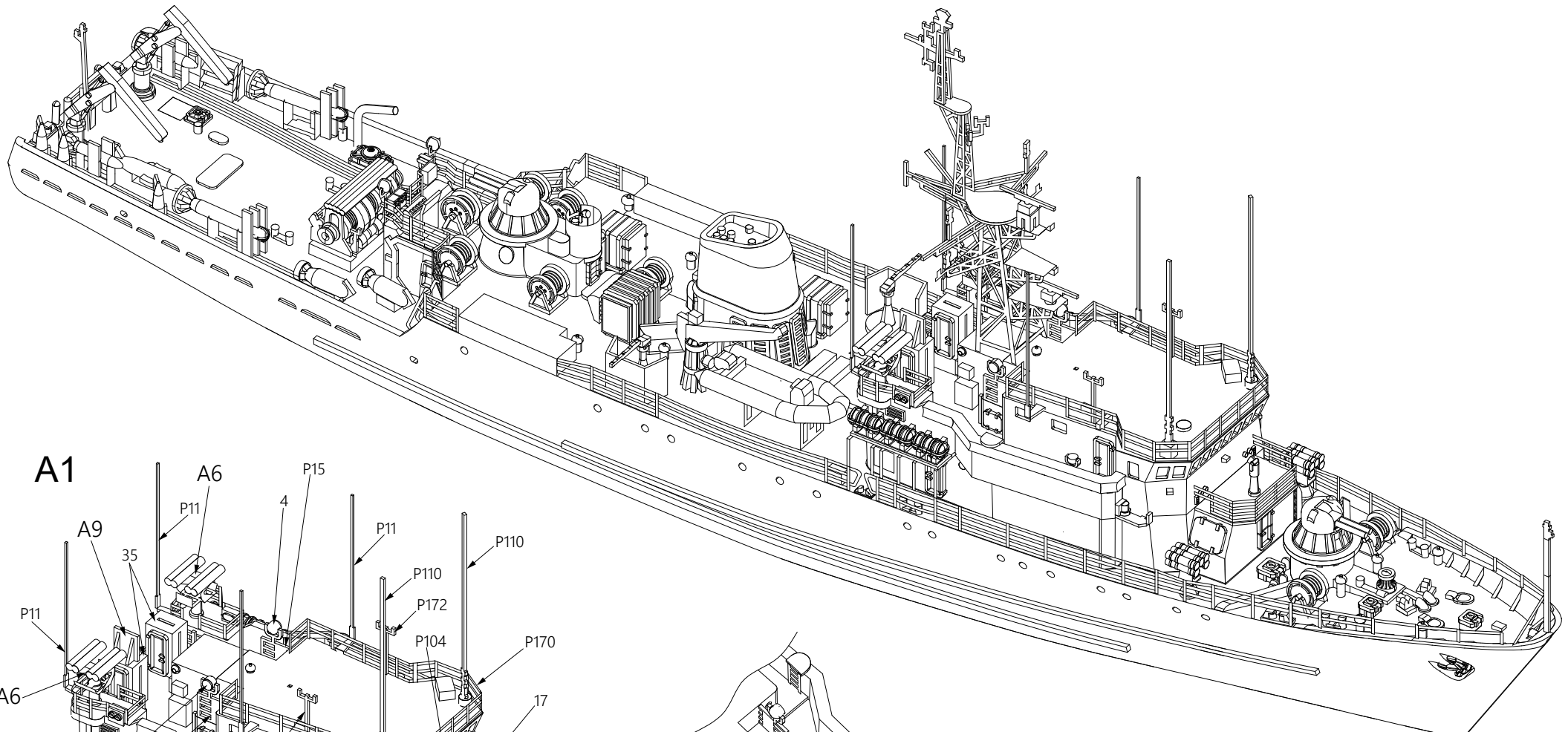
A8

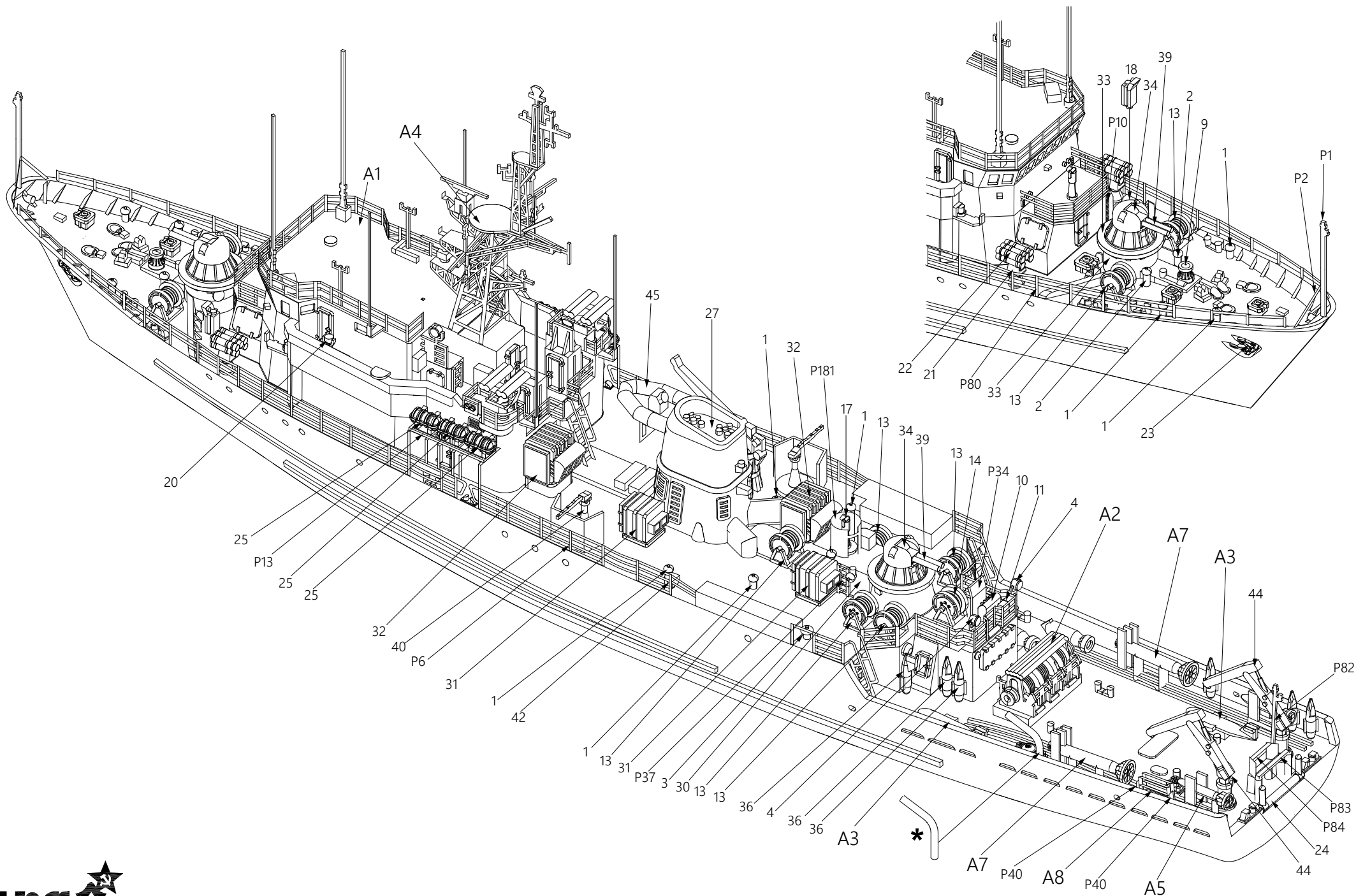


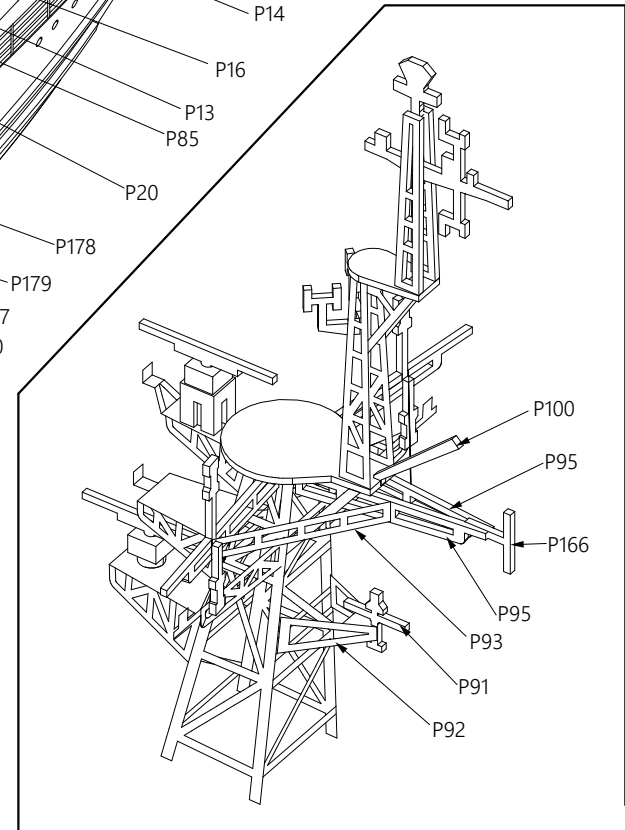
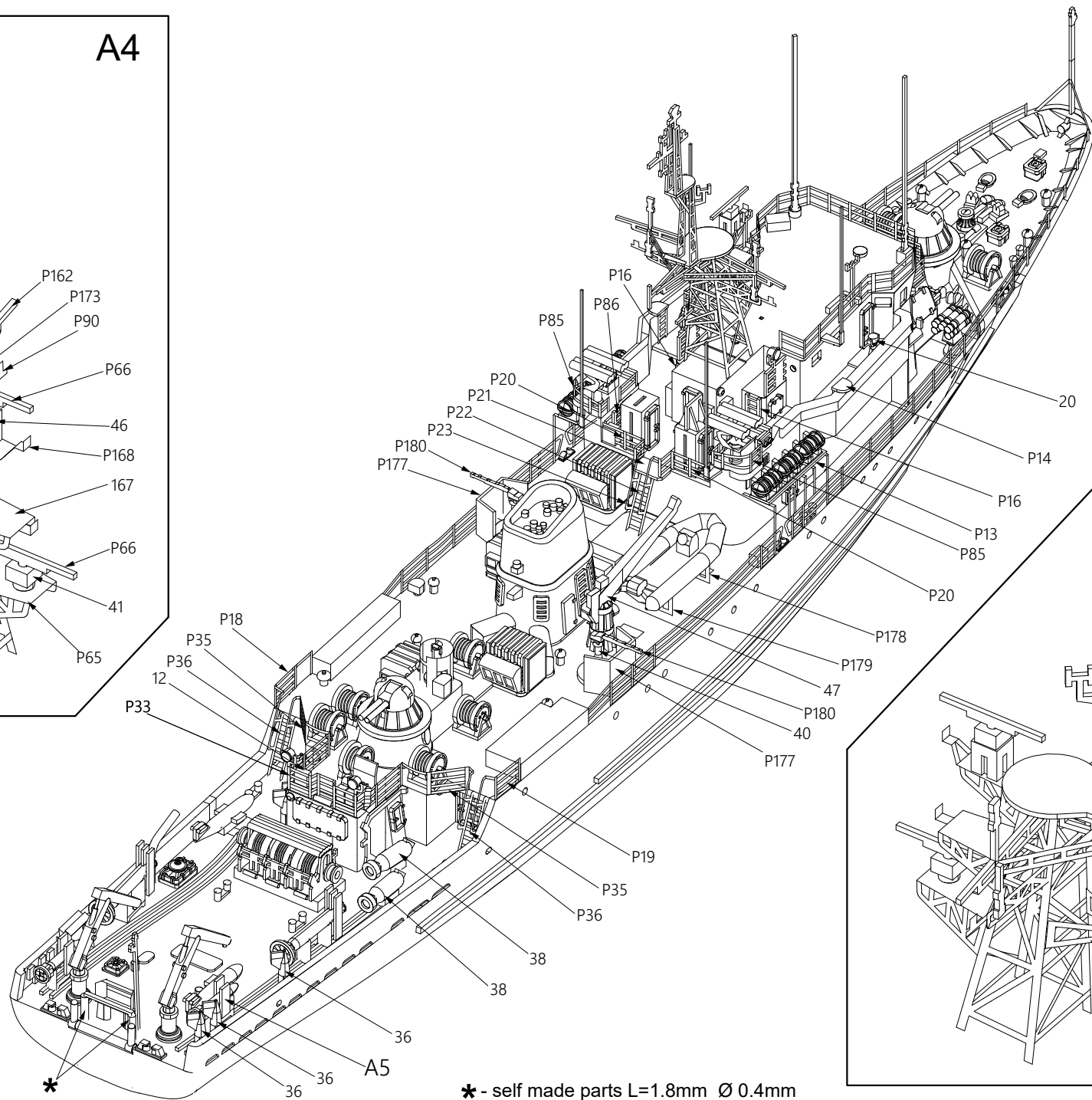
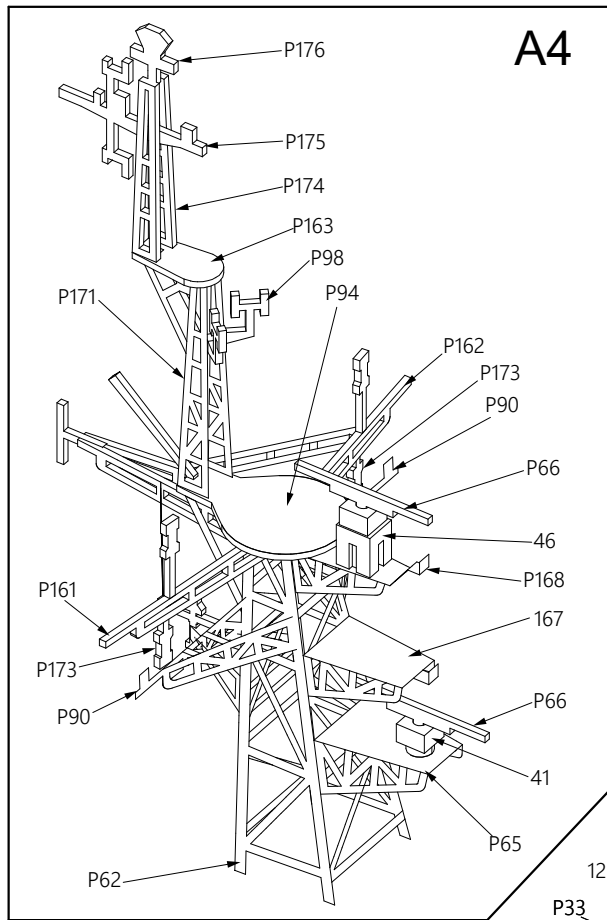
2x

A9









*

* - self made parts L=1.8mm Ø 0.4mm