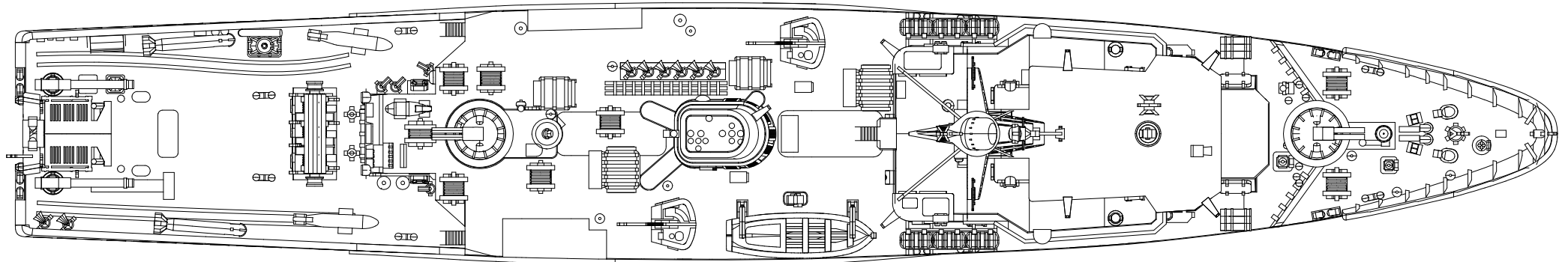
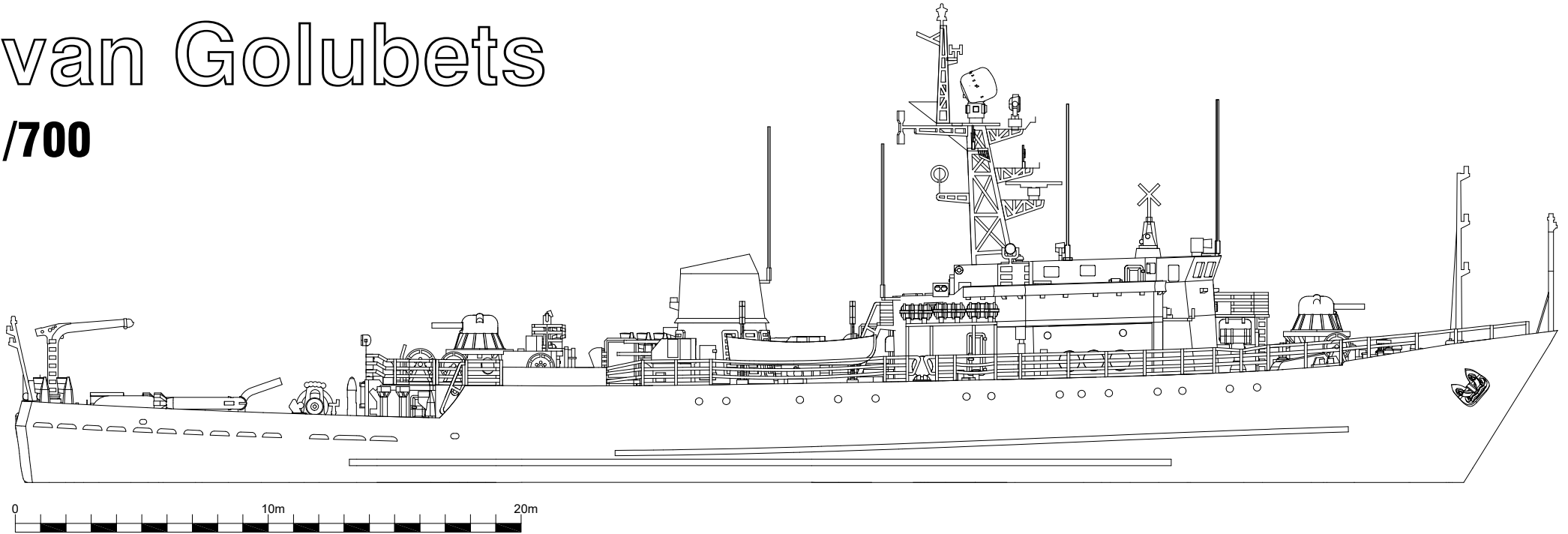
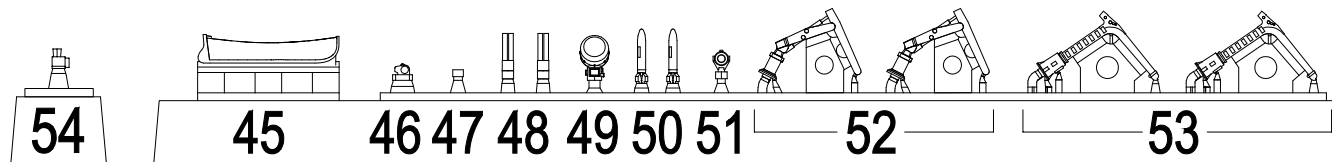
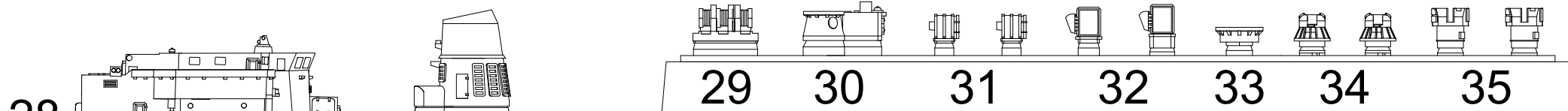
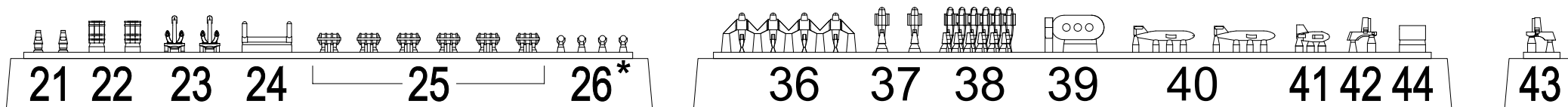
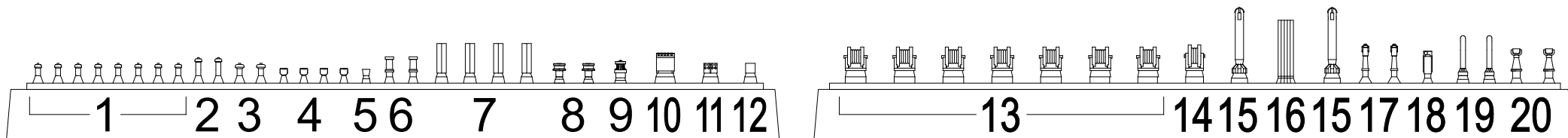
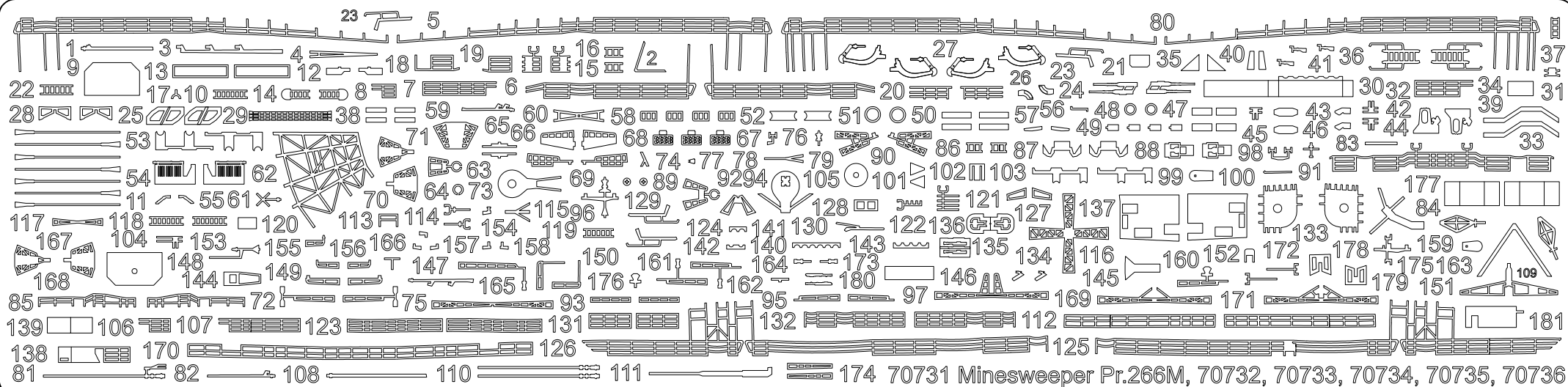


# Soviet minesweeper Pr.266M, 1973

## Ivan Golubets

1/700

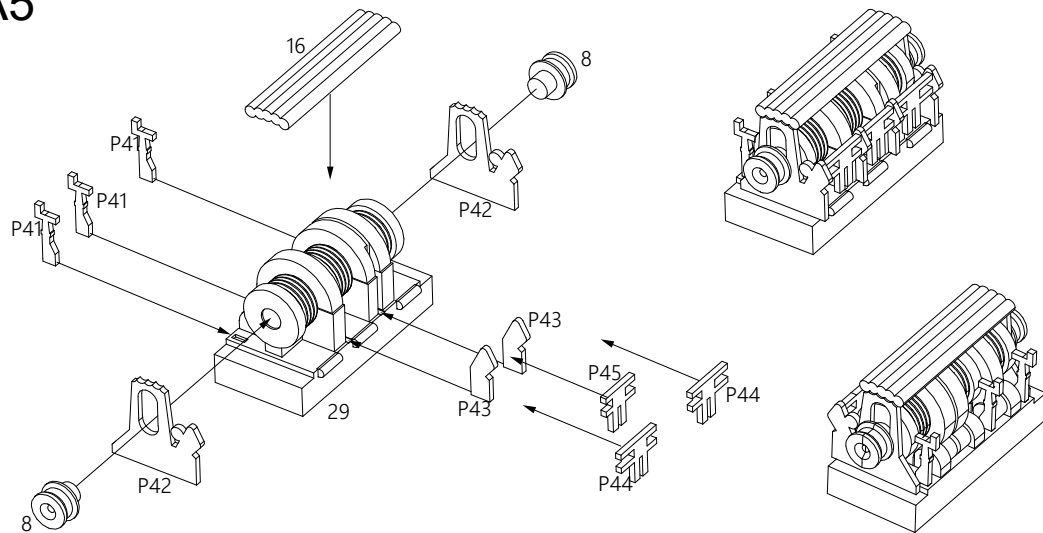




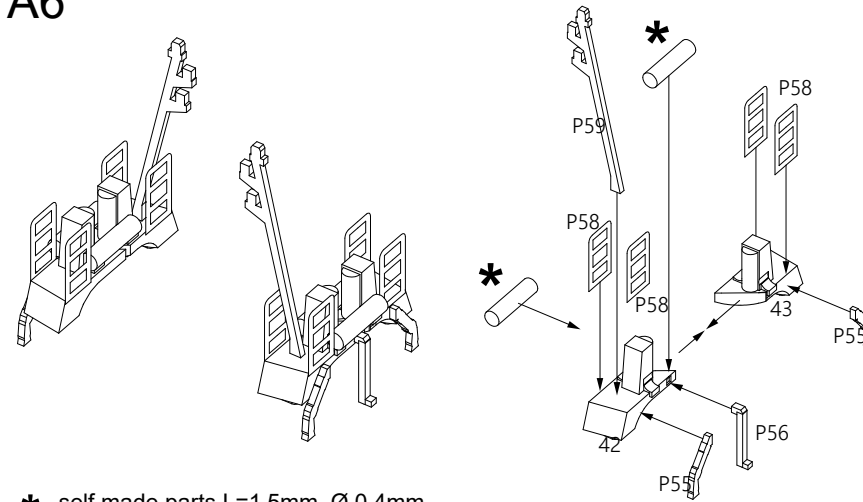
Please note that some parts are not used.

\* - alternative searchlights

A5

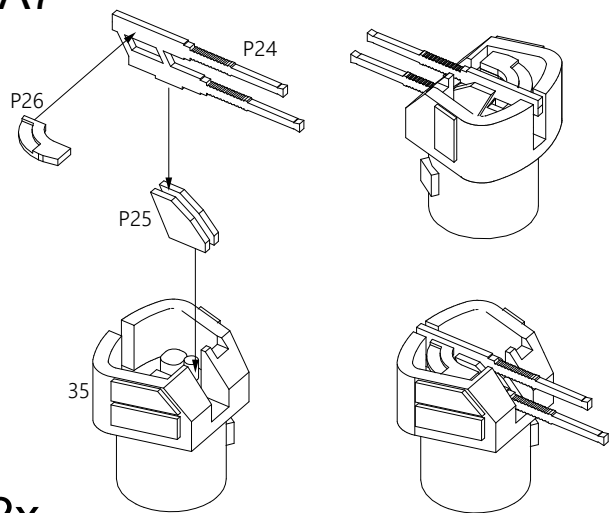


A6



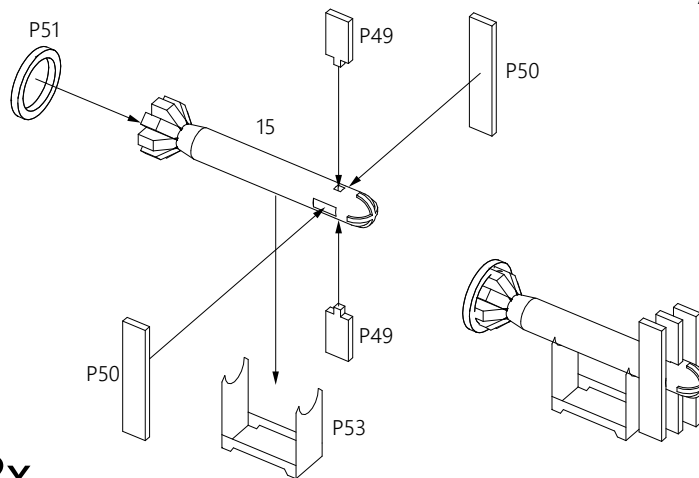
\* - self made parts L=1.5mm Ø 0.4mm

A7



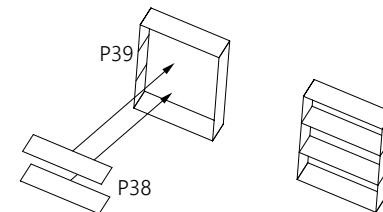
2x

A8



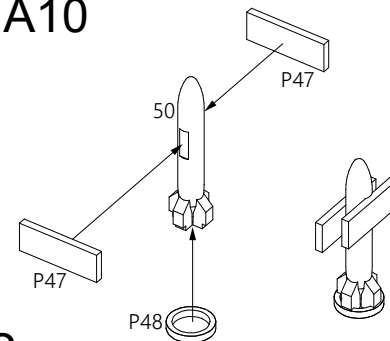
2x

A9



2x

A10



2x



Please note that the assembly guide reflects the position of the parts when installed only, and not the exact order of the assembly.  
 To download the assembly instructions in PDF (high resolution) please visit [www.combrig-models.com](http://www.combrig-models.com)

