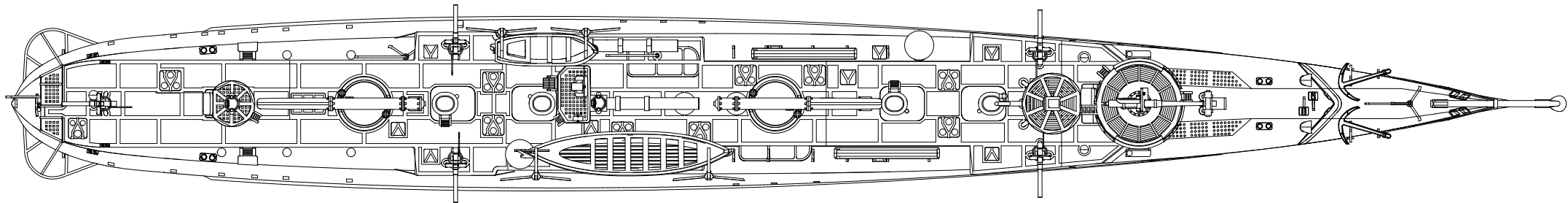
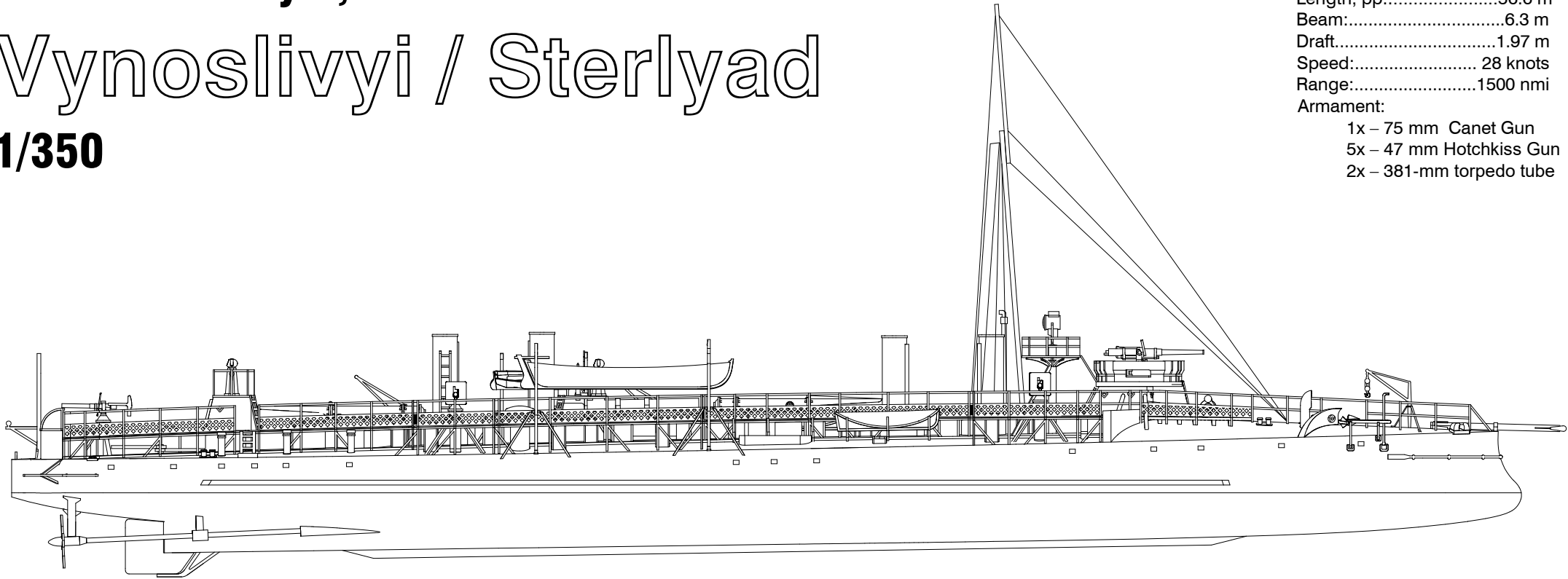


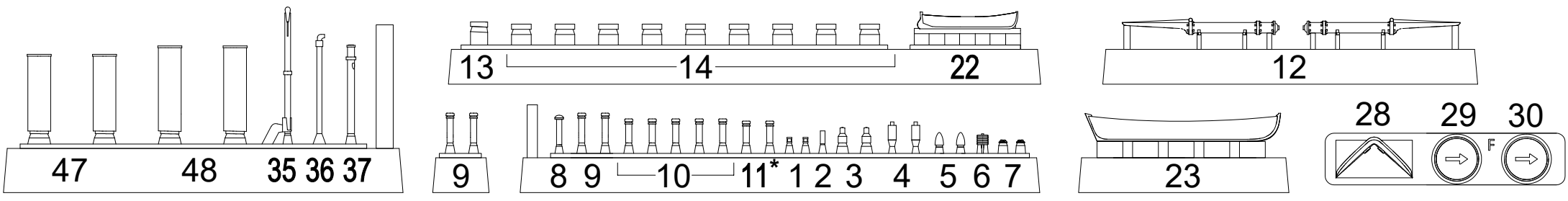
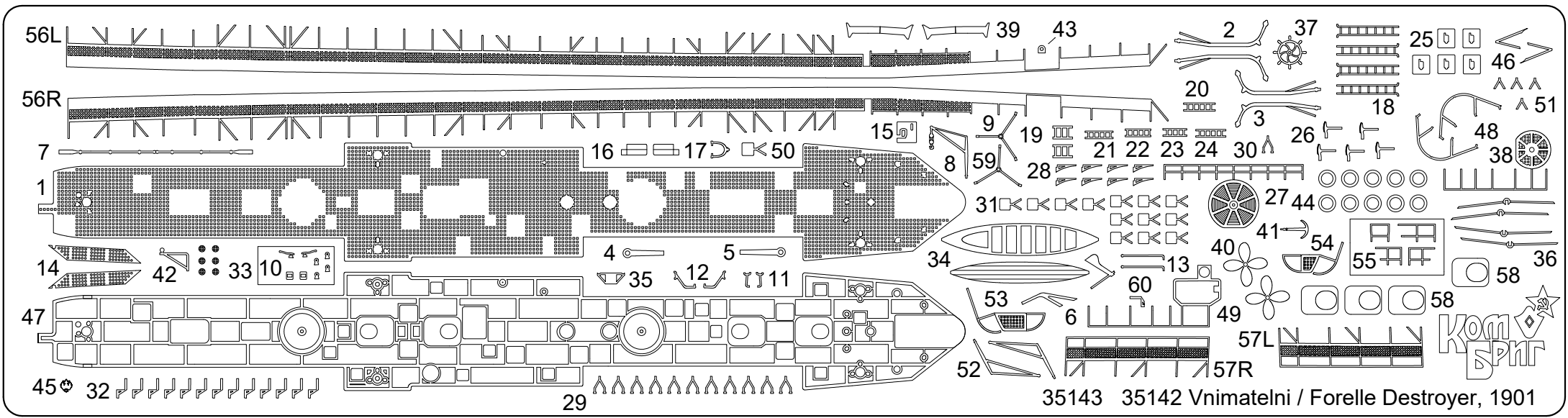
Russian destroyer, 1901

Vynoslivyi / Sterlyad

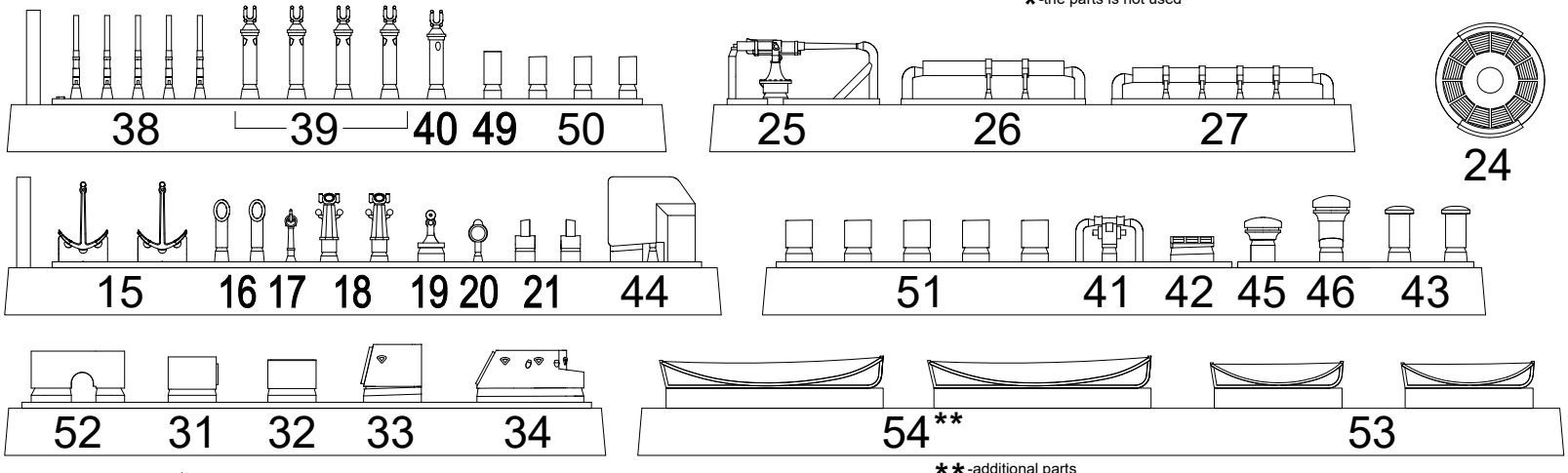
1/350

Displacement:.....312 t
Length, pp:.....56.6 m
Beam:.....6.3 m
Draft.....1.97 m
Speed:..... 28 knots
Range:.....1500 nmi
Armament:
1x – 75 mm Canet Gun
5x – 47 mm Hotchkiss Gun
2x – 381-mm torpedo tube

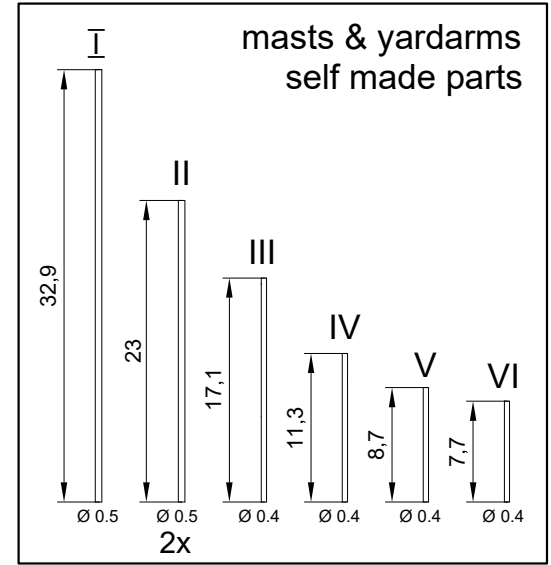




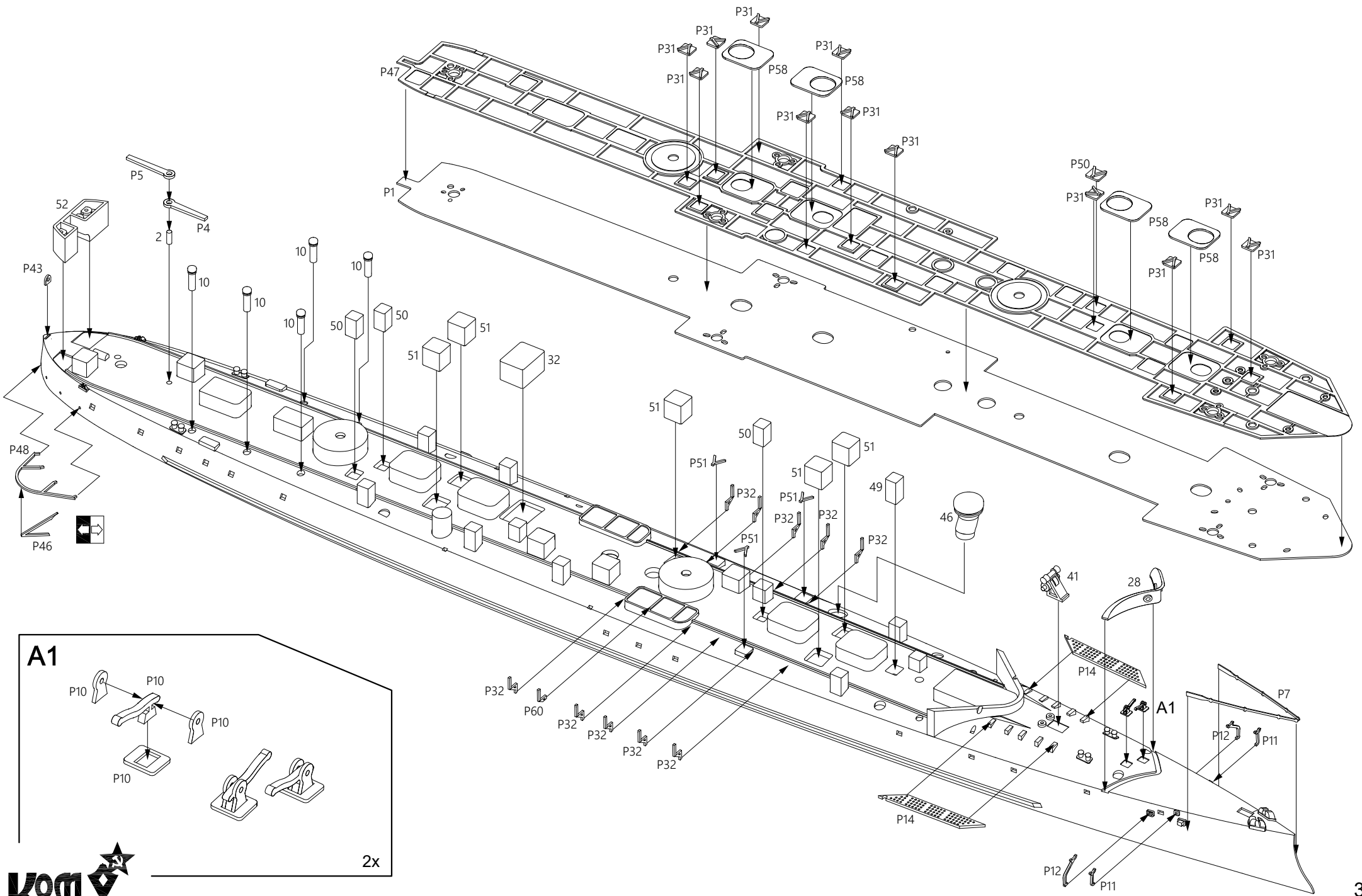
*-the parts is not used

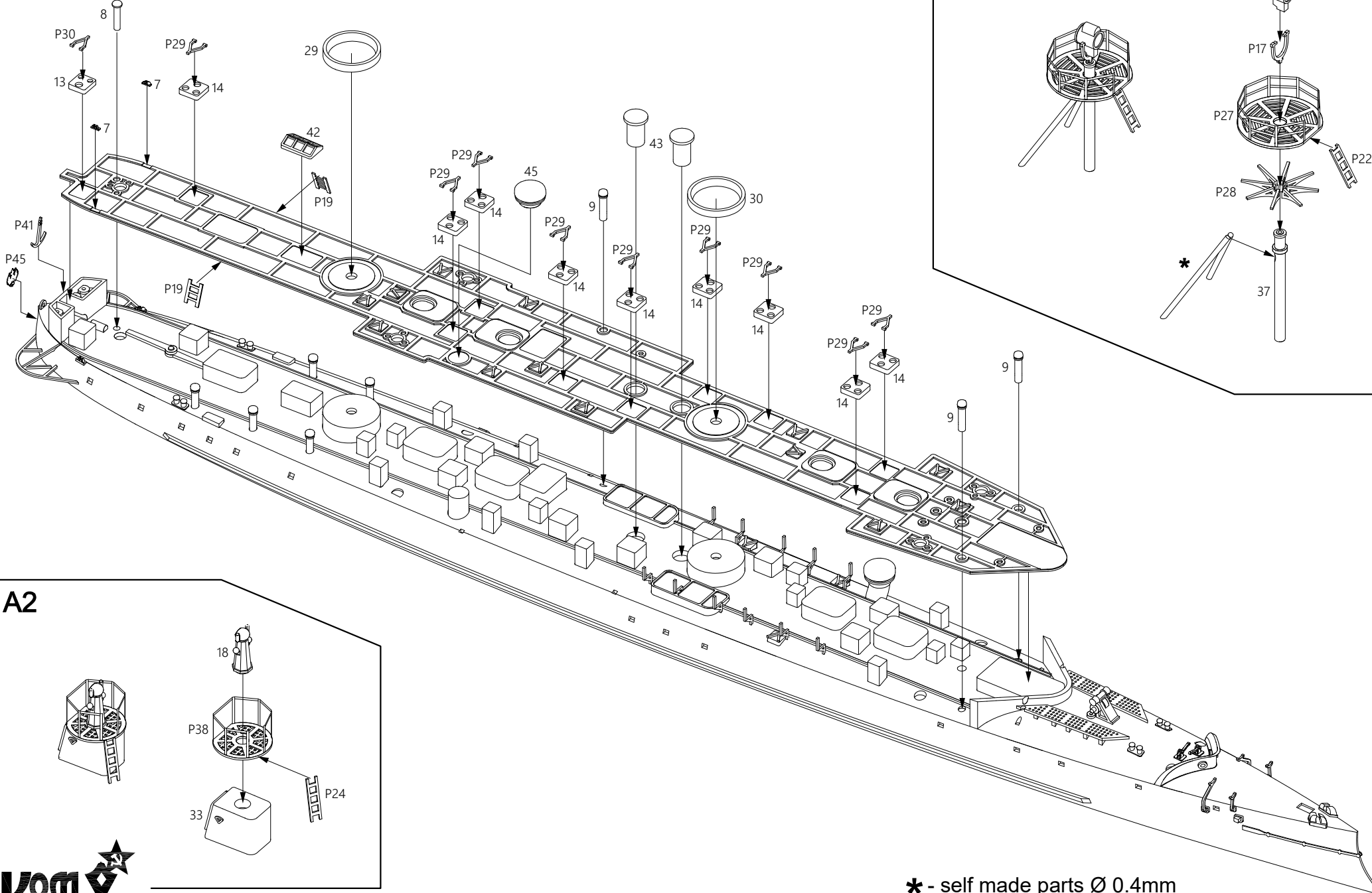


**-additional parts

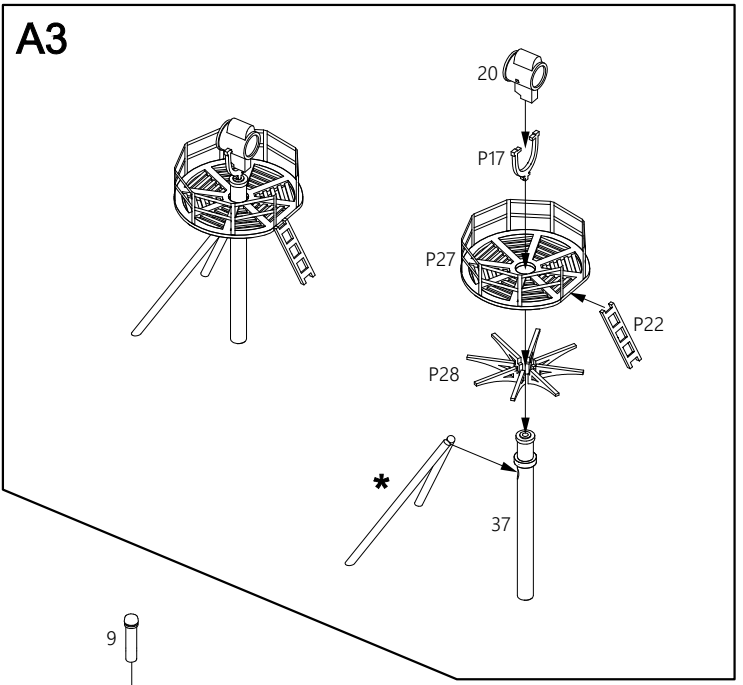


Please note that the assembly guide reflects the position of the parts when installed only, and not the exact order of the assembly. To download the assembly instructions in PDF (high resolution) please visit www.combrig-models.com

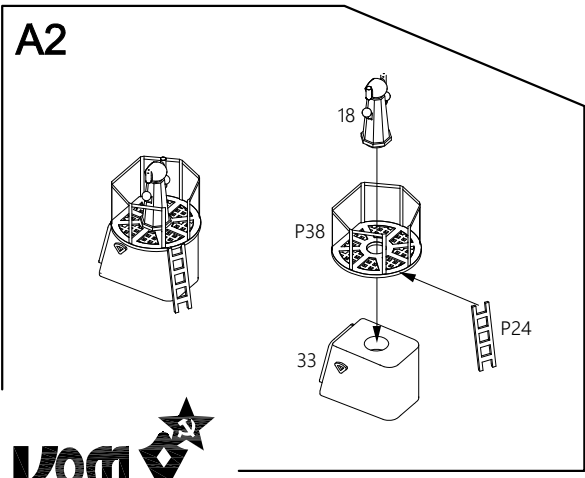




A3

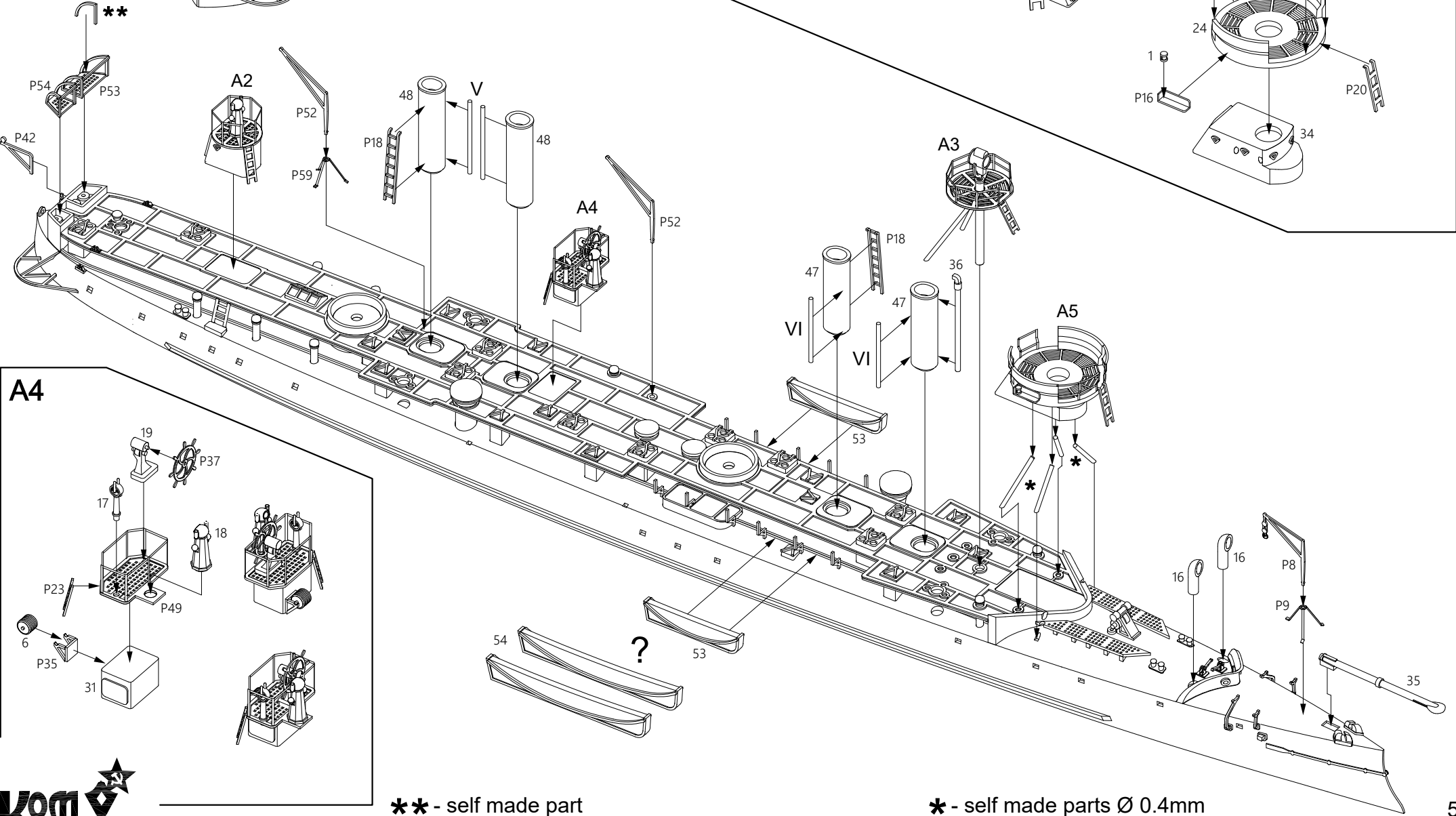
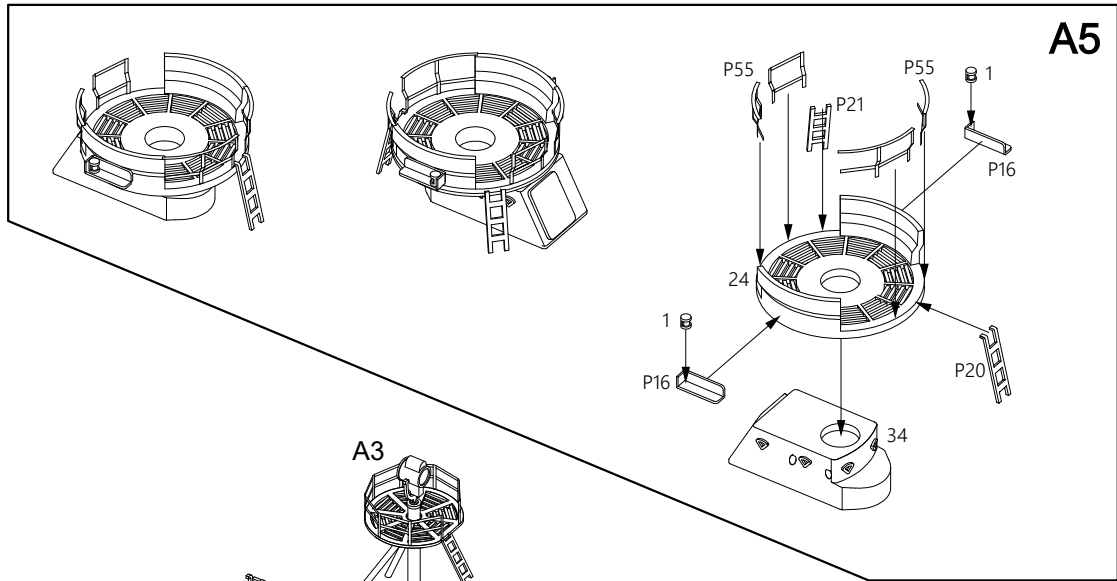
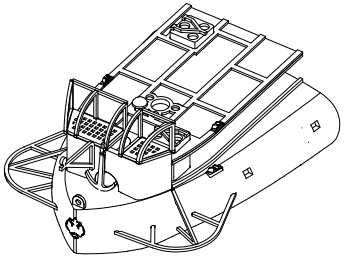


A2

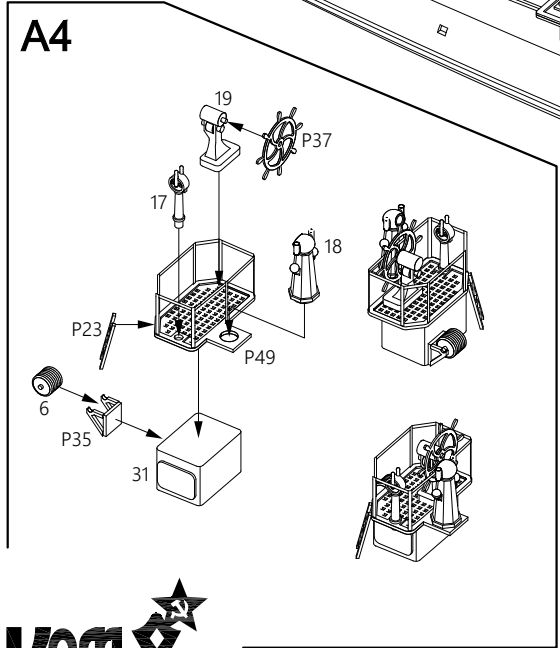


* - self made parts Ø 0.4mm





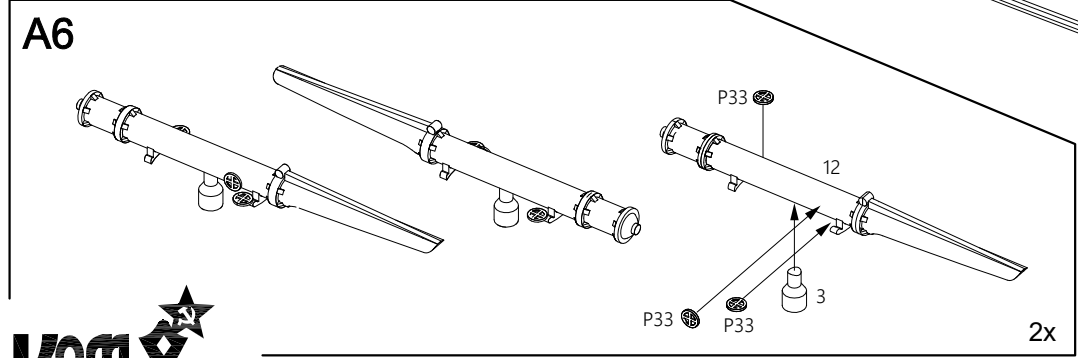
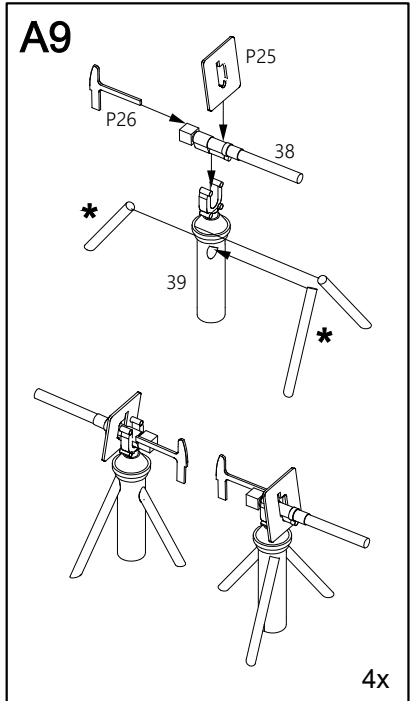
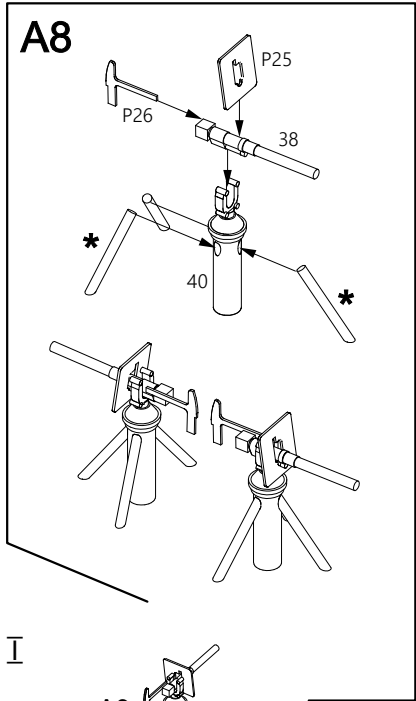
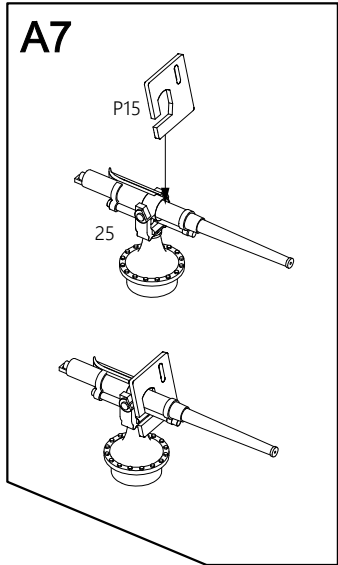
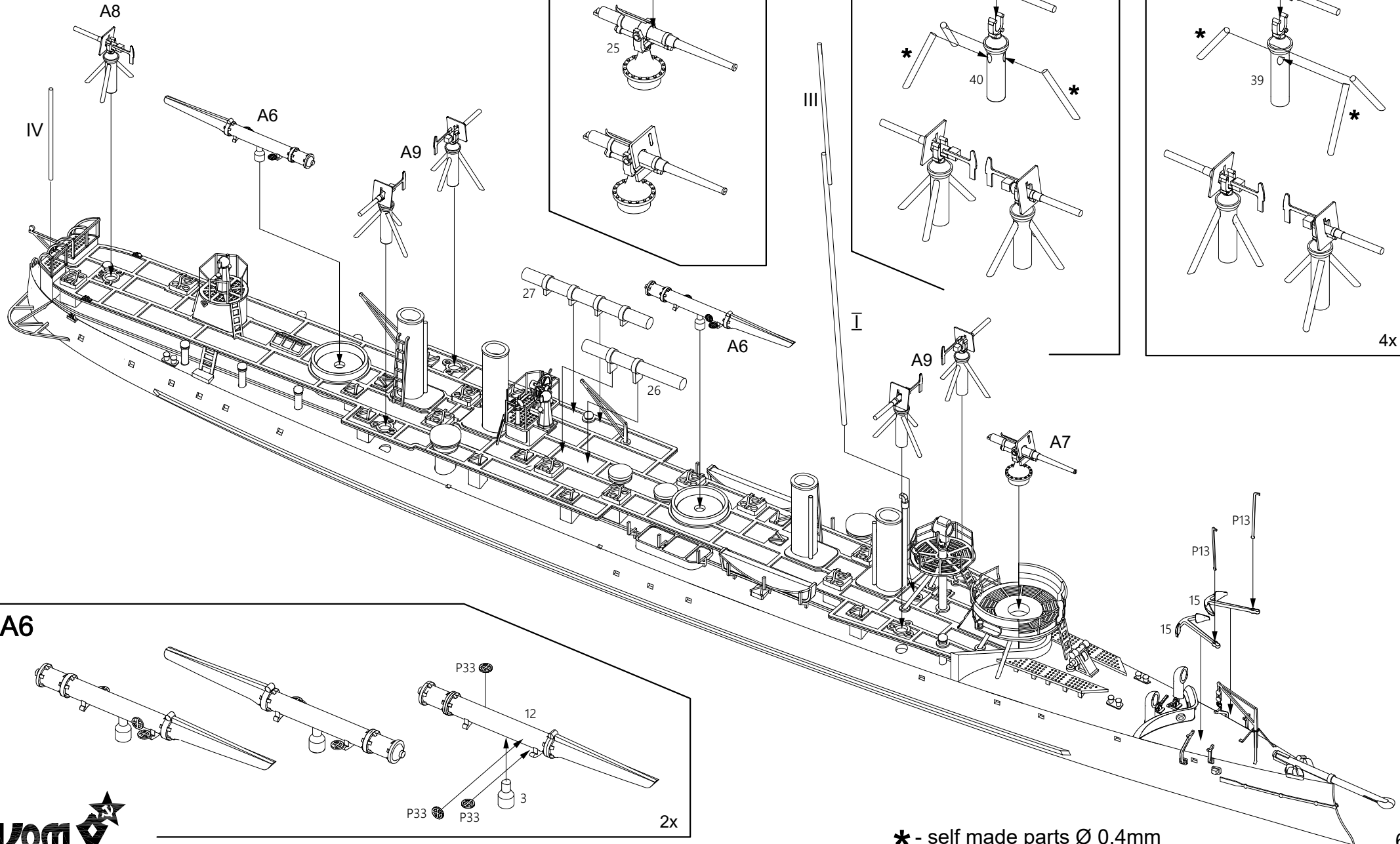
A4



** - self made part

* - self made parts Ø 0.4mm





* - self made parts Ø 0.4mm



