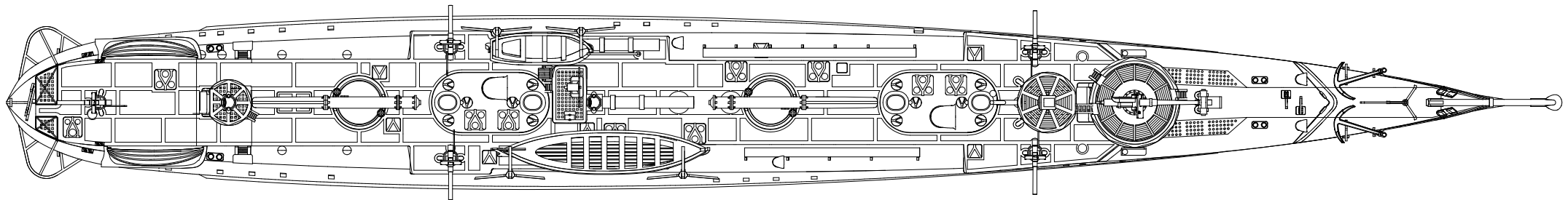
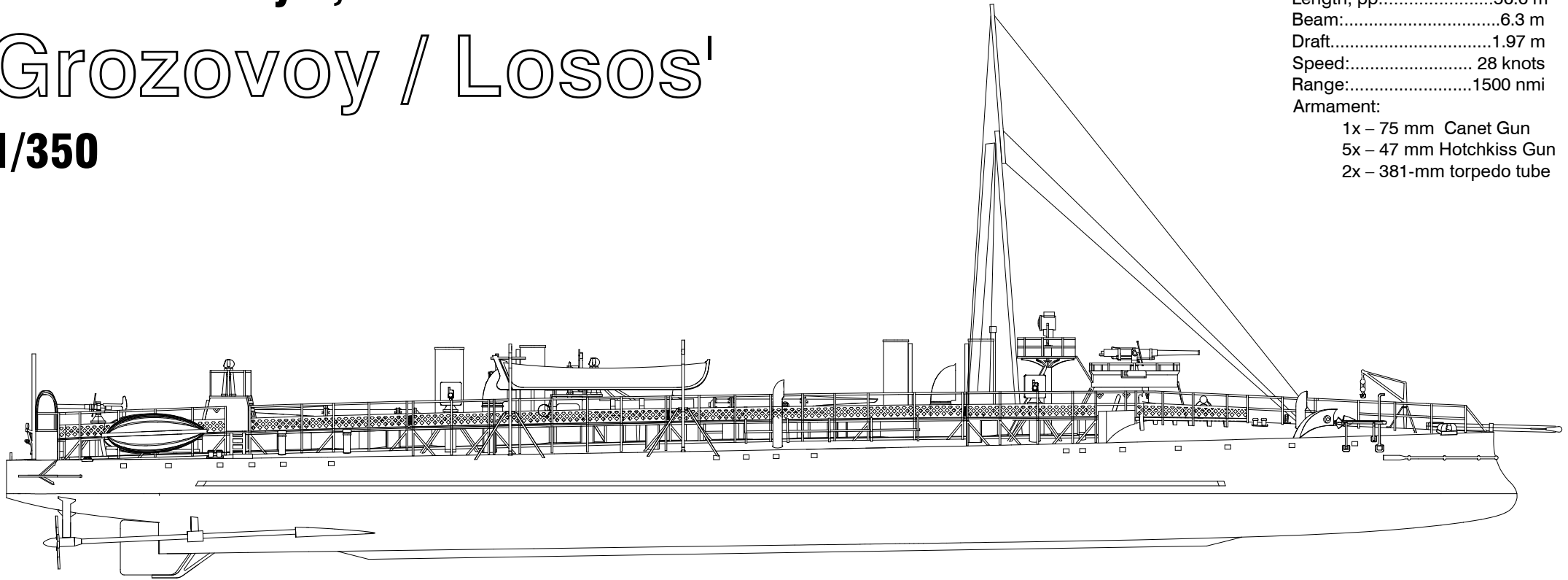


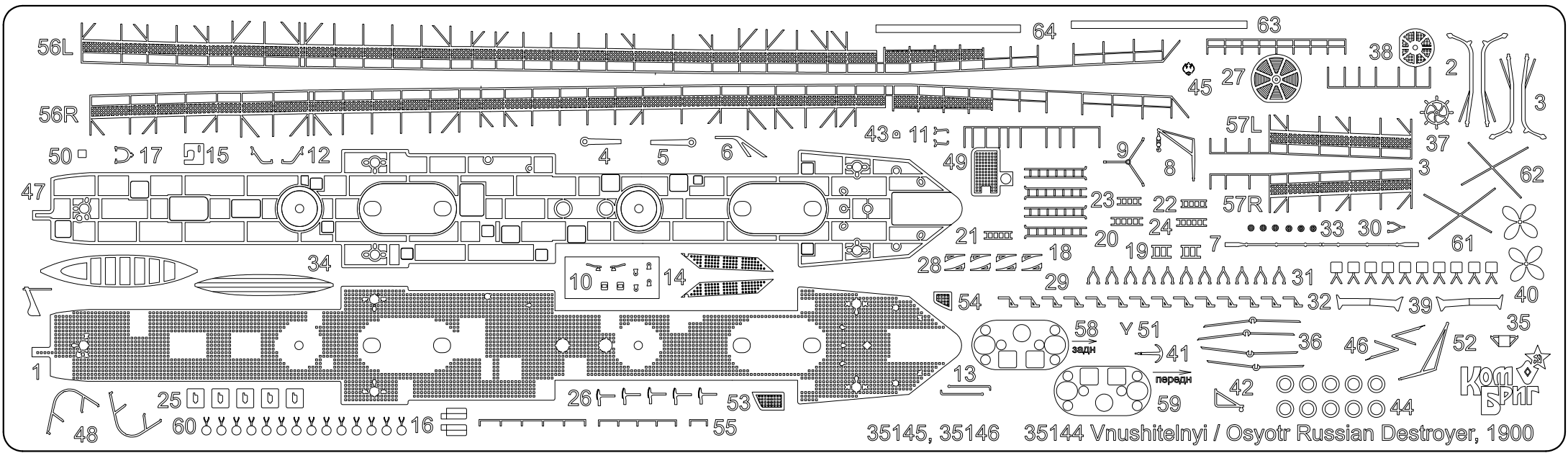
# Russian destroyer, 1901

# Grozovoy / Losos'

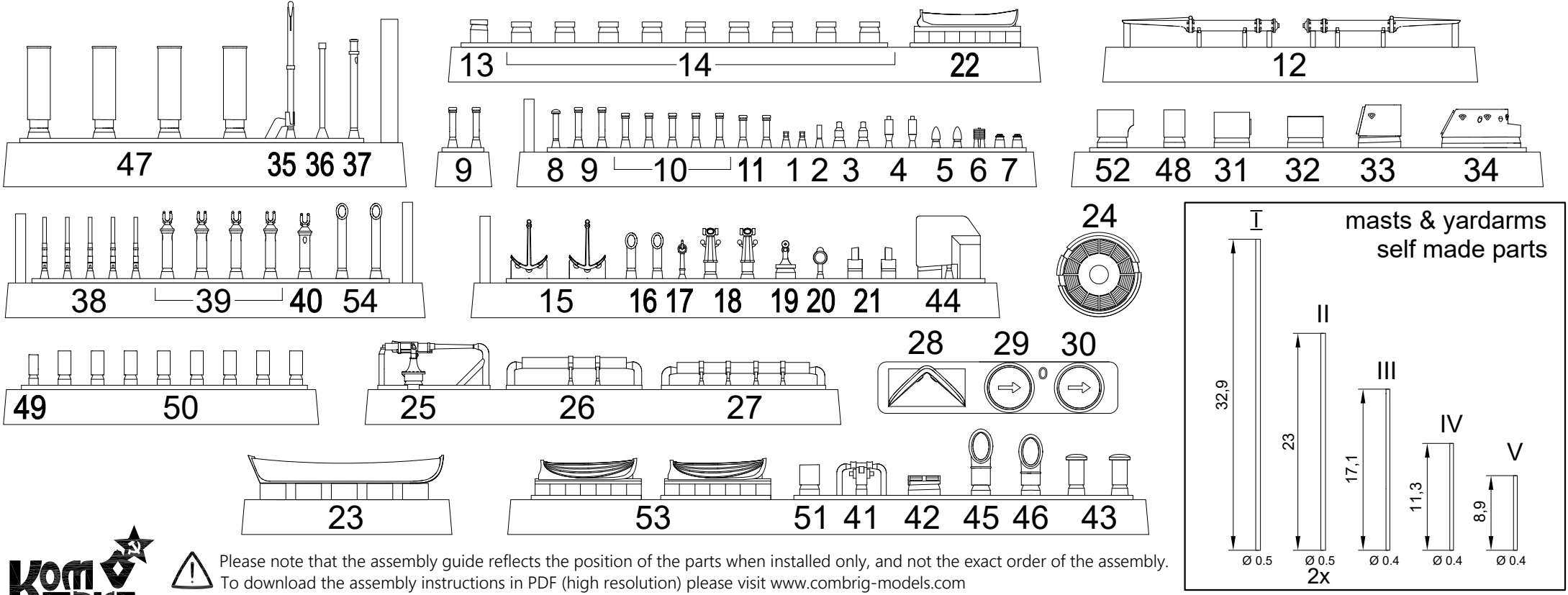
## 1/350

Displacement:.....312 t  
Length, pp:.....56.6 m  
Beam:.....6.3 m  
Draft.....1.97 m  
Speed:..... 28 knots  
Range:.....1500 nmi  
Armament:  
1x – 75 mm Canet Gun  
5x – 47 mm Hotchkiss Gun  
2x – 381-mm torpedo tube

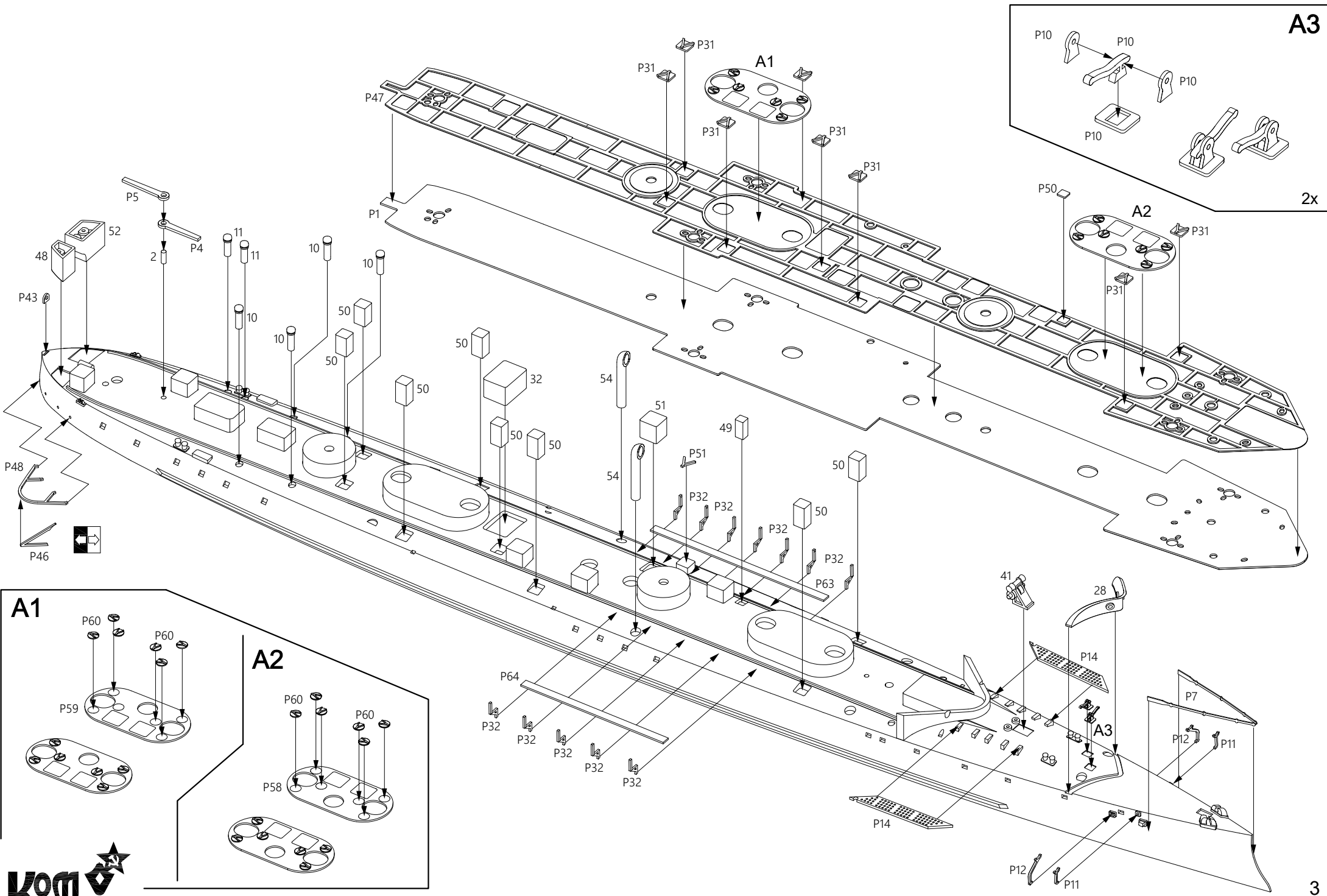




35145, 35146 35144 Vnushitelnyi / Osyotr Russian Destroyer, 1900

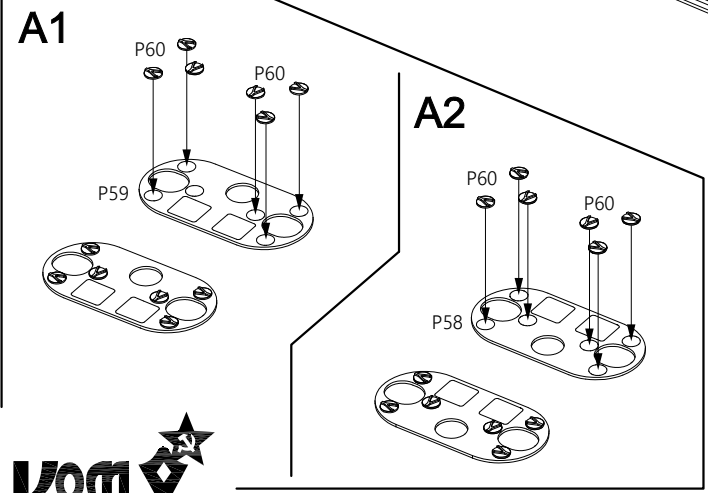


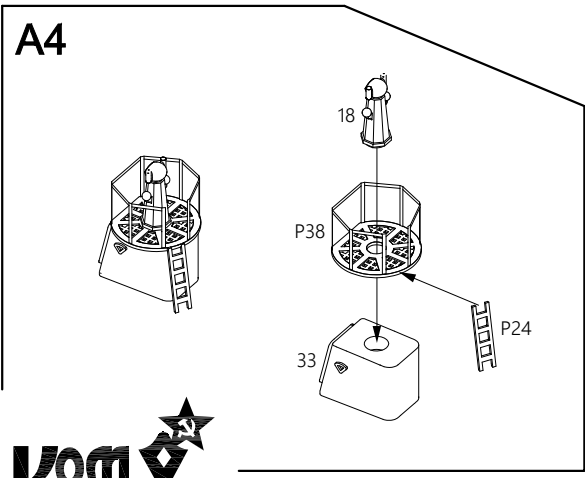
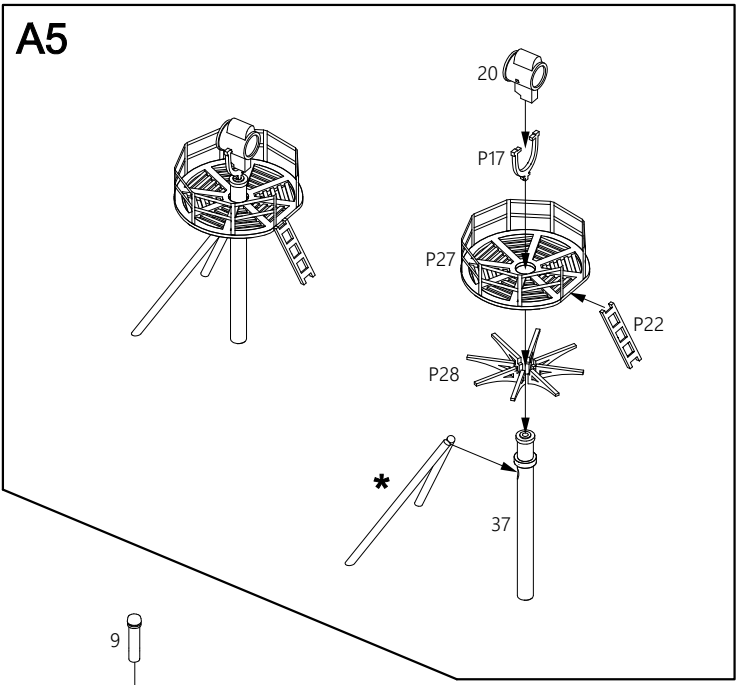
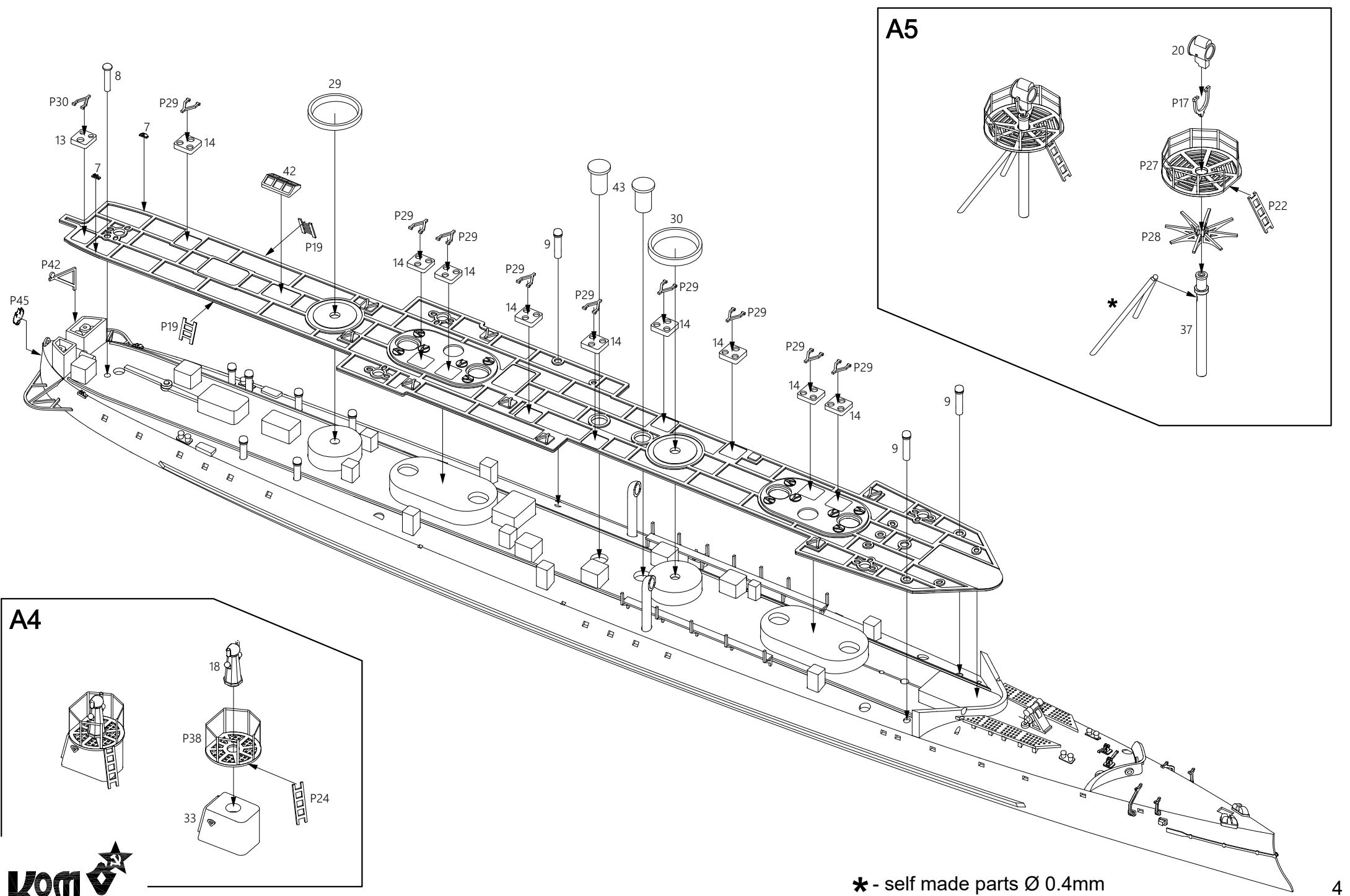
Please note that the assembly guide reflects the position of the parts when installed only, and not the exact order of the assembly. To download the assembly instructions in PDF (high resolution) please visit [www.combrig-models.com](http://www.combrig-models.com)



A3

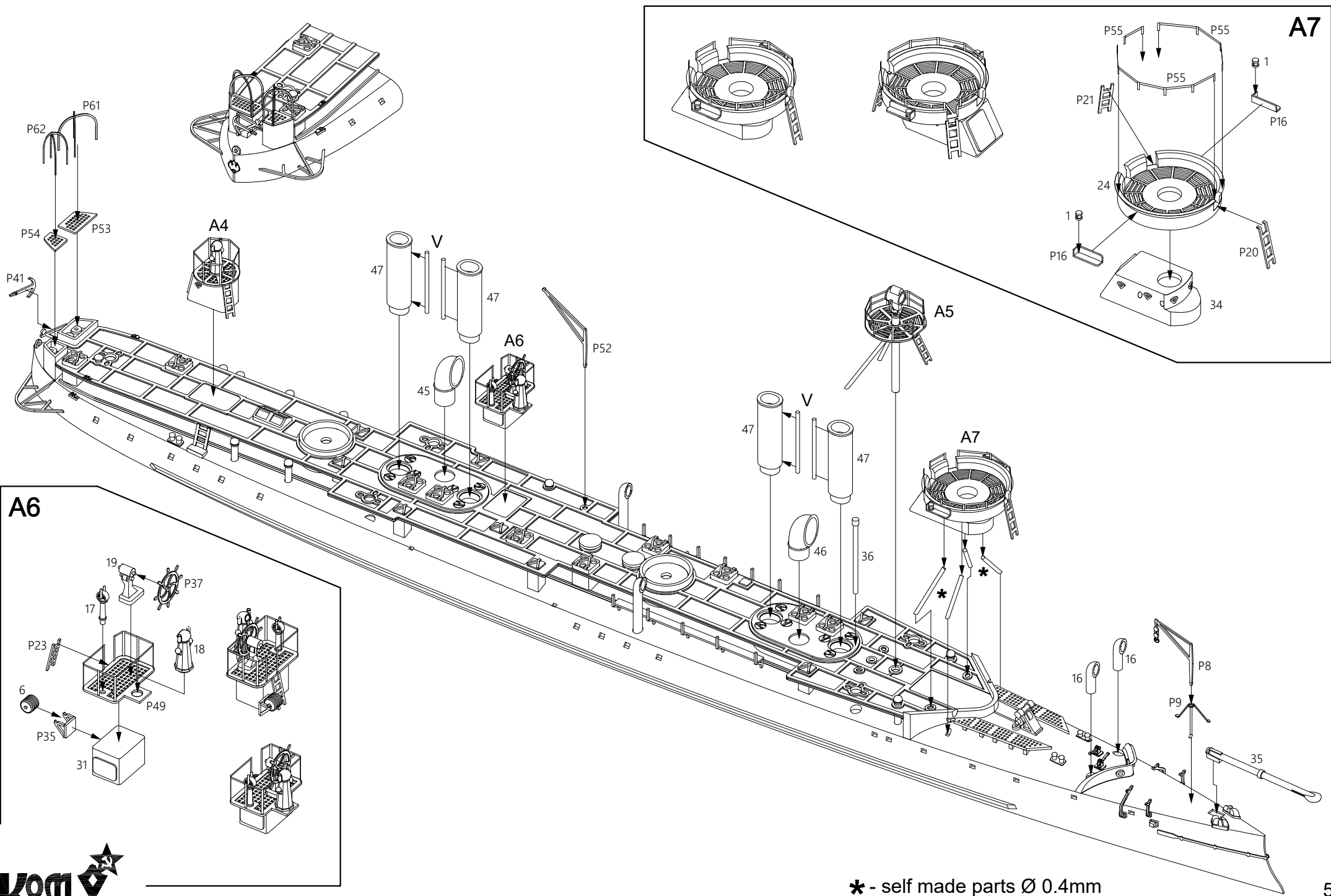
2x





\* - self made parts Ø 0.4mm



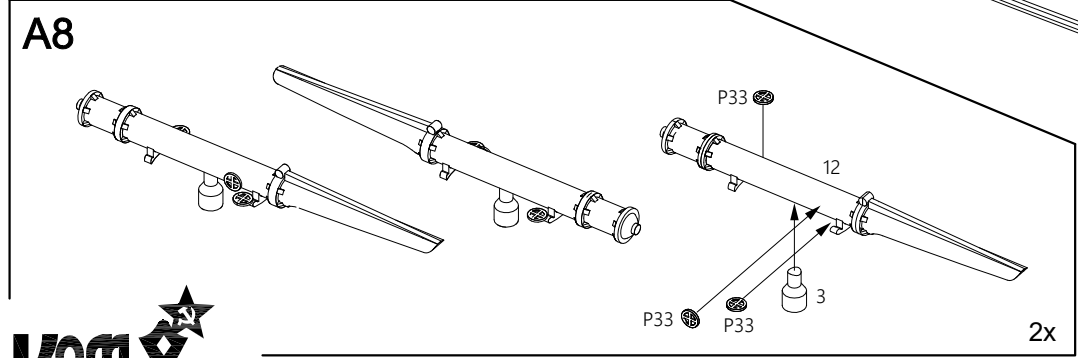
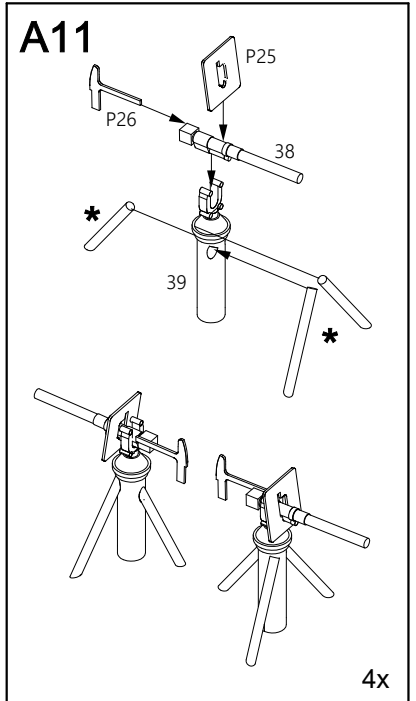
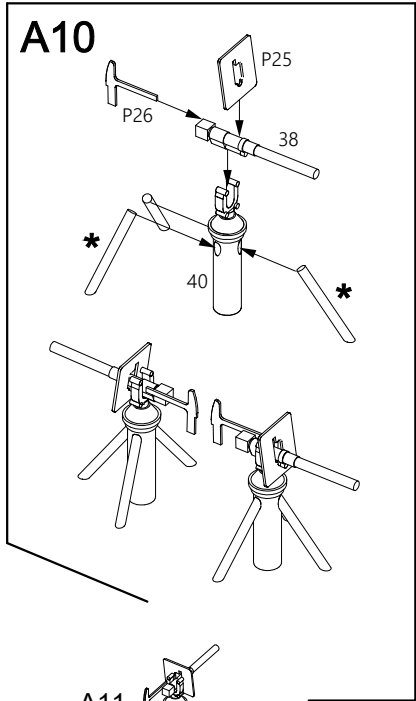
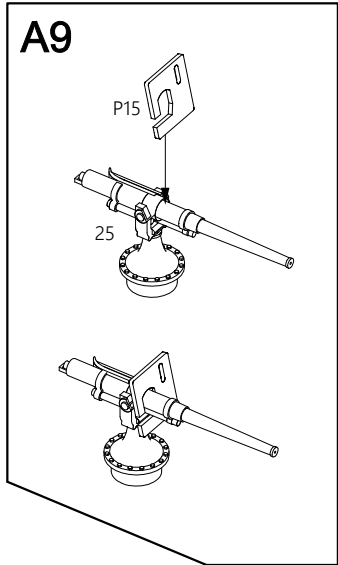
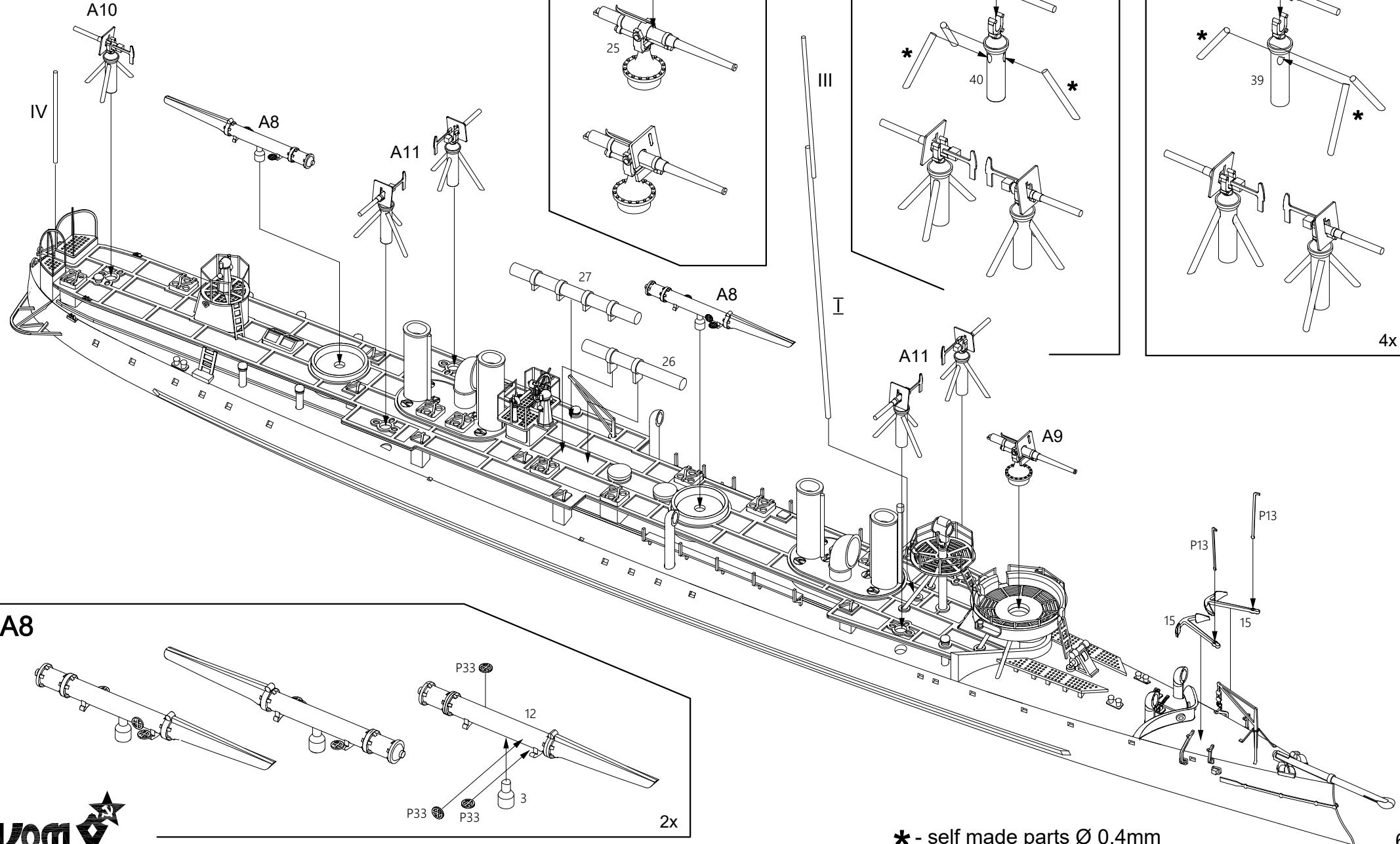


A7

A6

\* - self made parts Ø 0.4mm





\* - self made parts Ø 0.4mm



