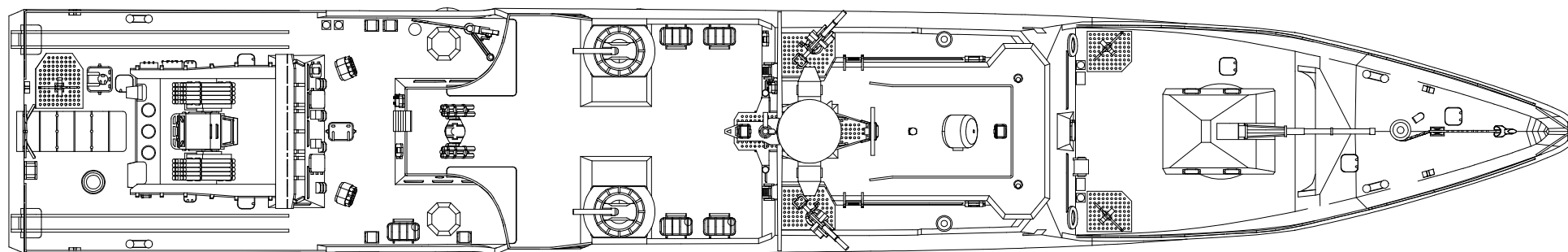
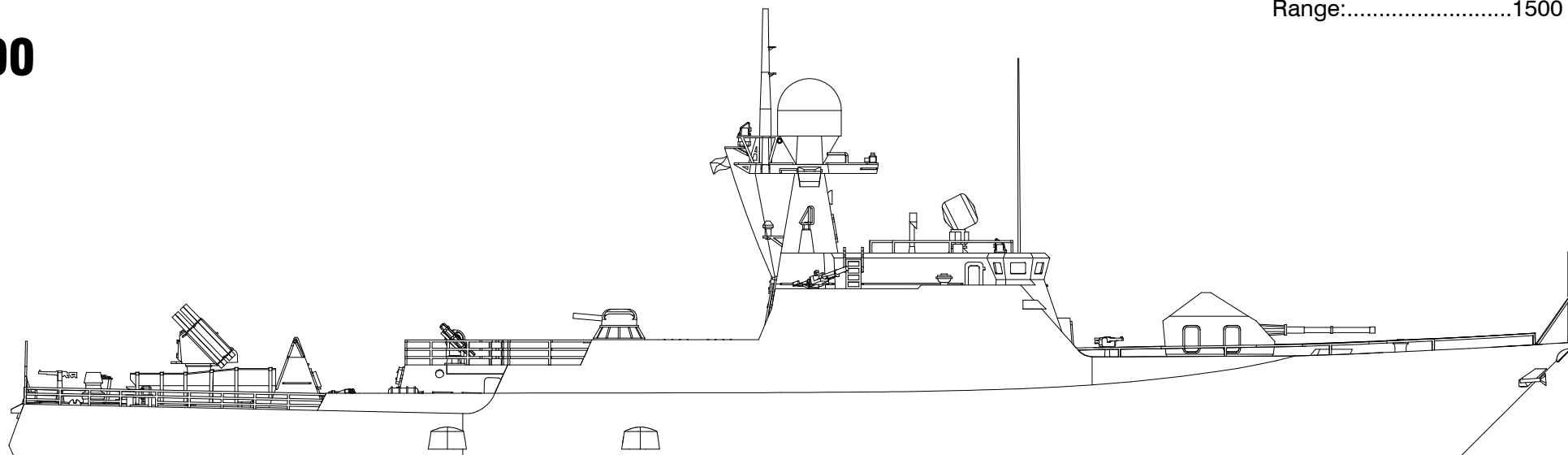


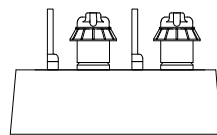
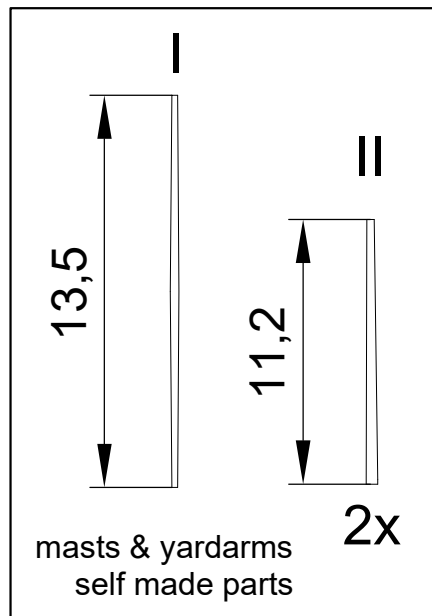
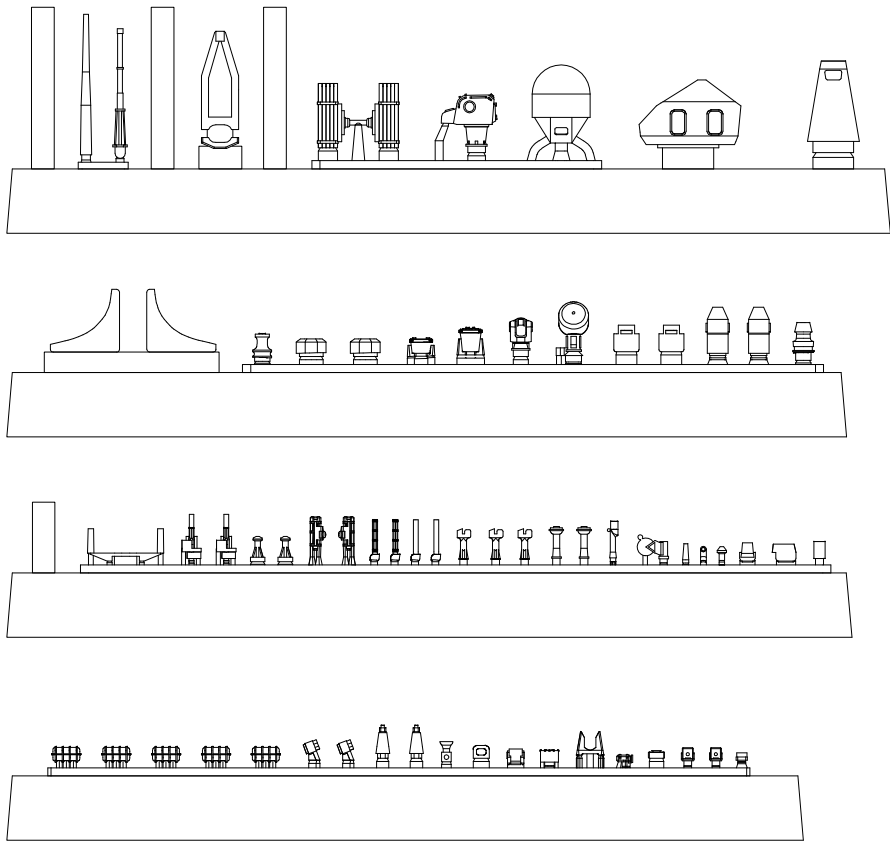
Russian Buyan class corvette pr. 21630

Astrakhan

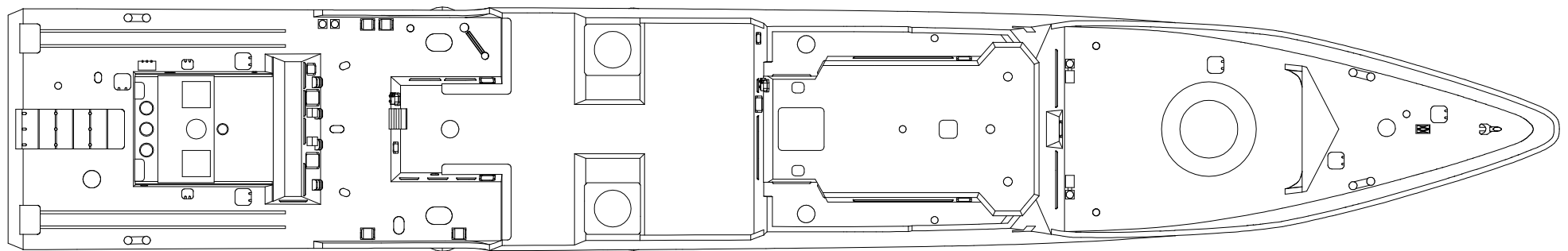
1/700

Displacement:.....500 t
Length:.....62 m
Beam:.....9.6 m
Draft.....2 m
Speed:..... 28 knots
Range:.....1500 nmi

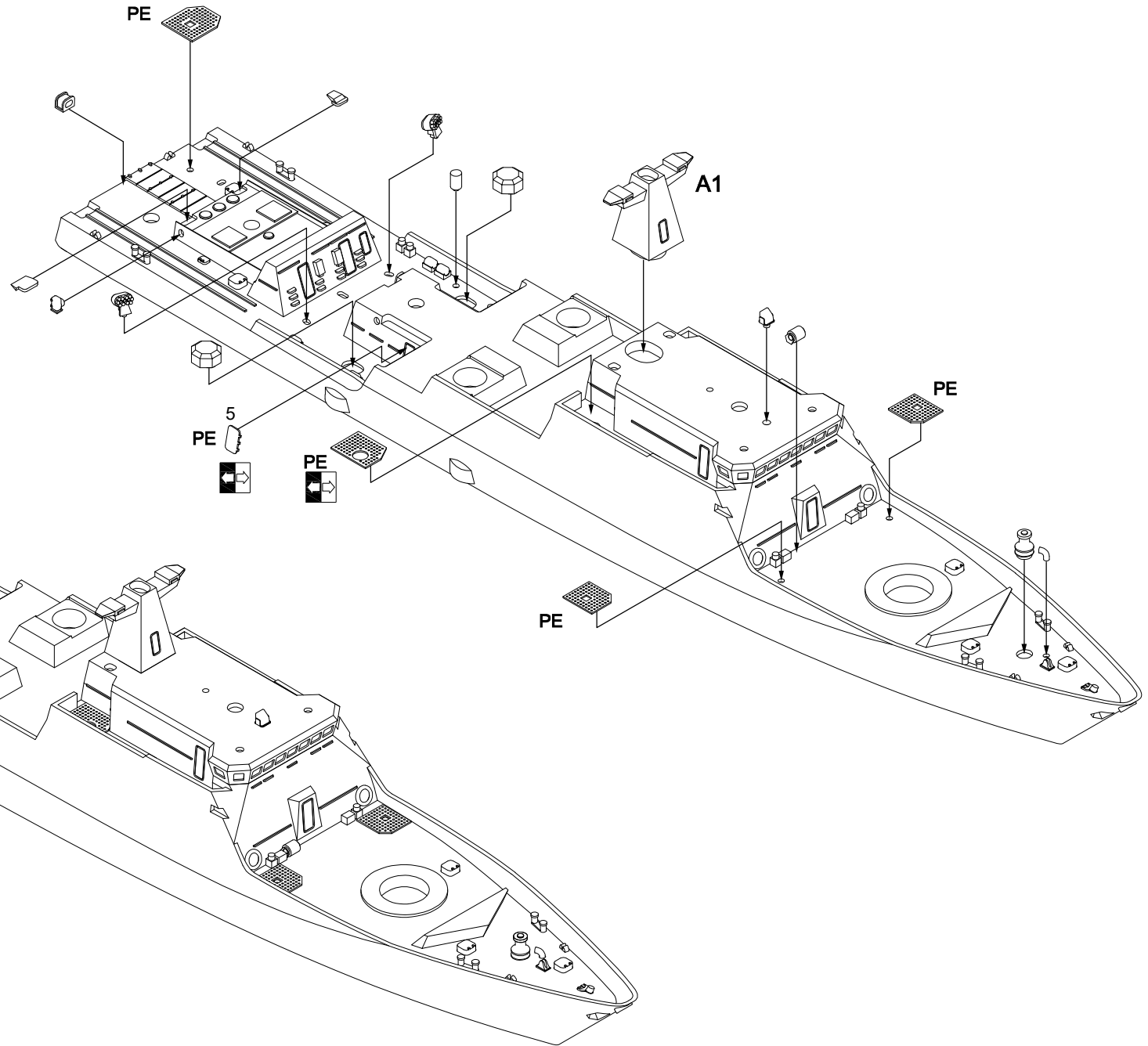
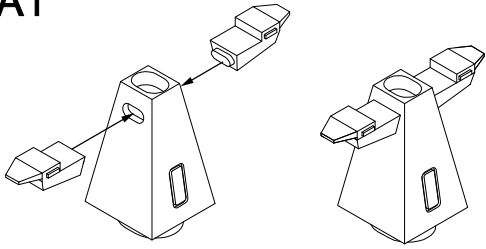


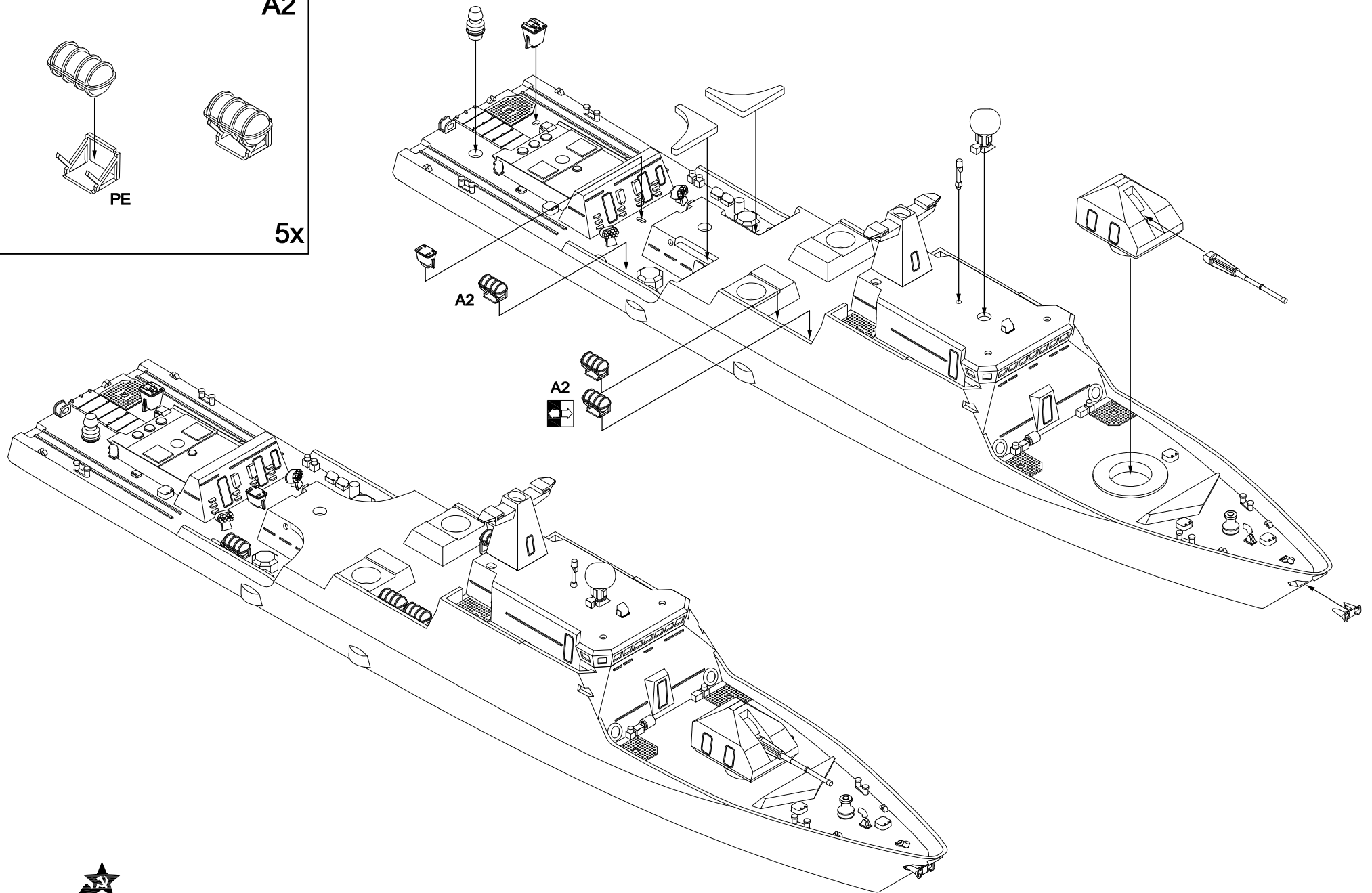
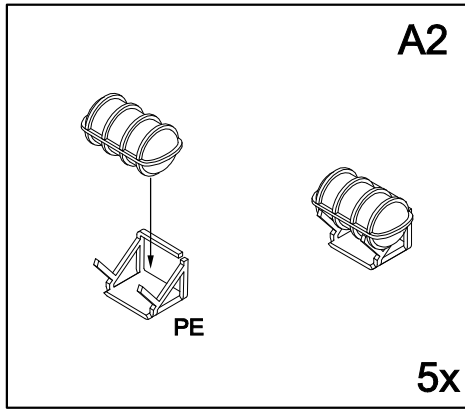


70366
Astrakhan
Corvette
Pr.21630, 2006
© Combrig Models
www.combrig-models.com

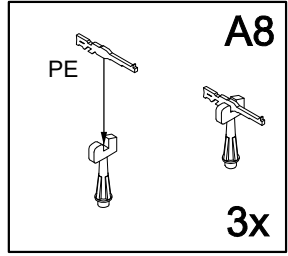
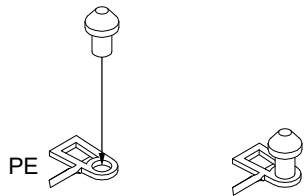


A1



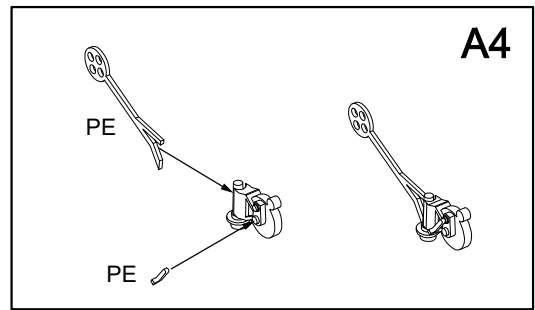
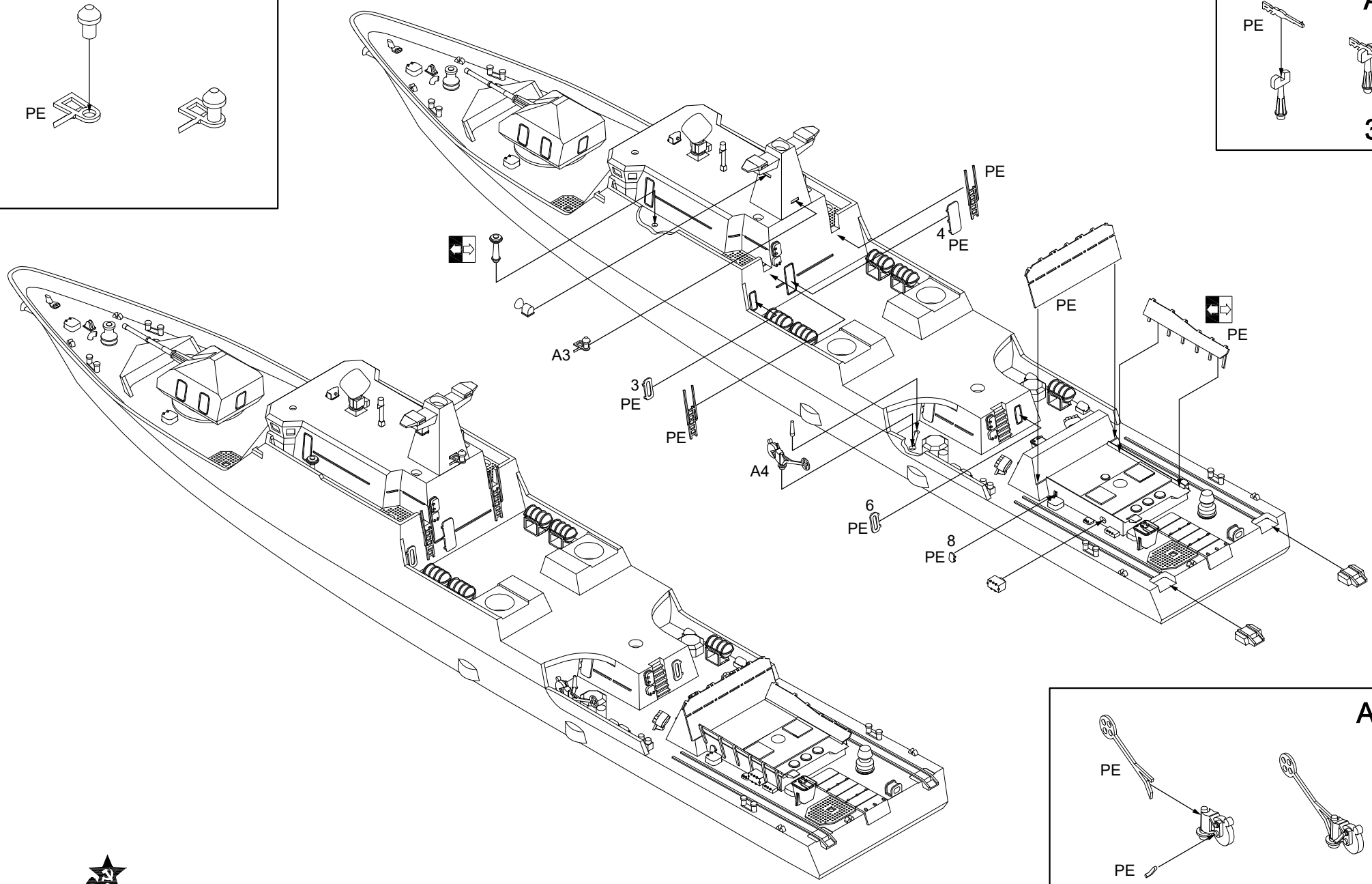


A3



A8

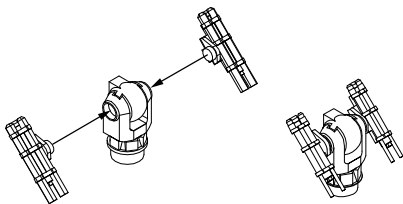
3x



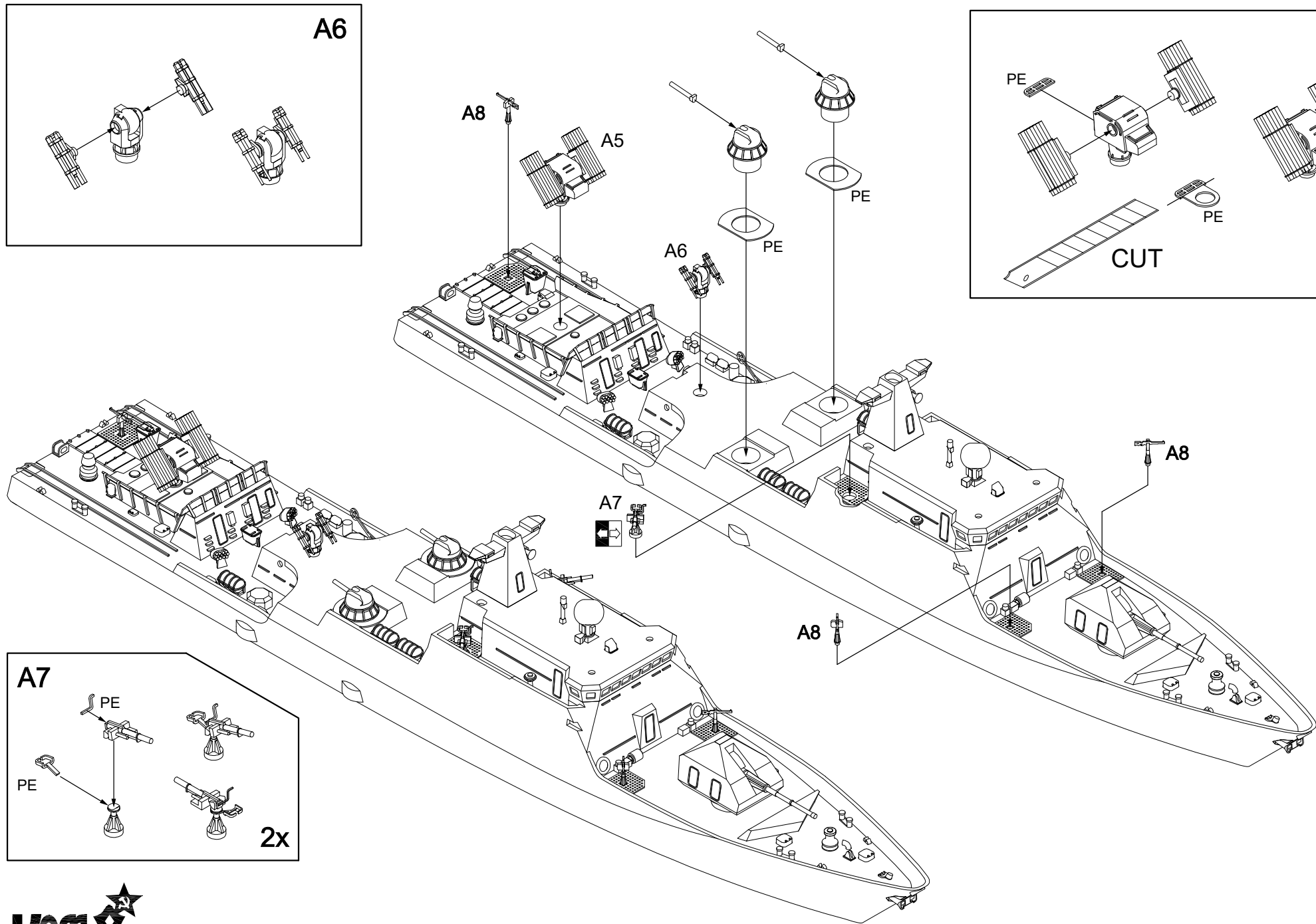
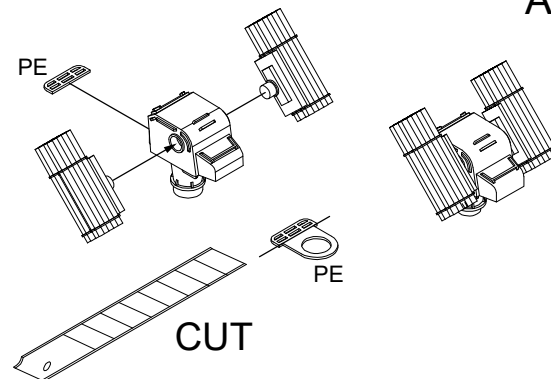
A4



A6



A5



A7

