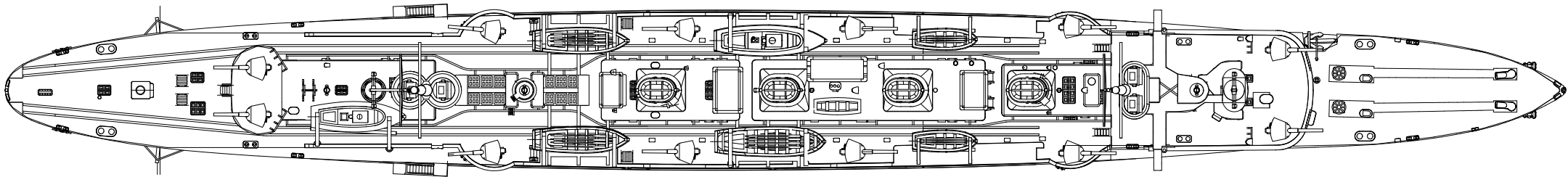
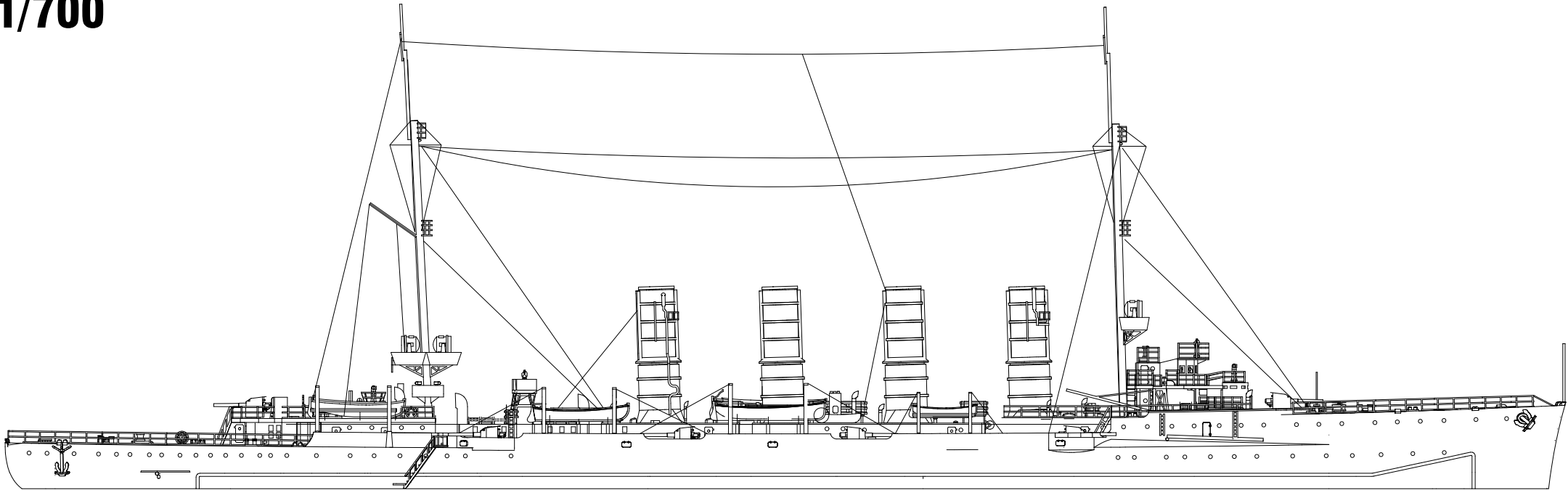


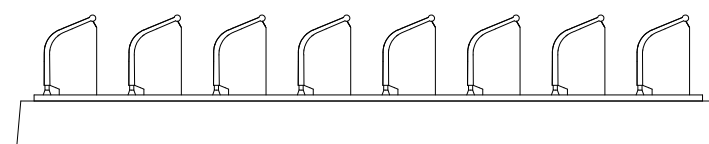
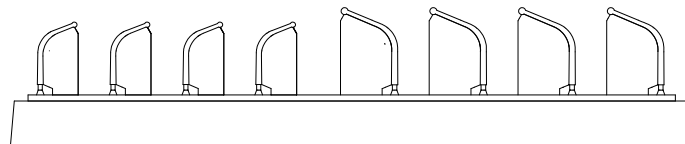
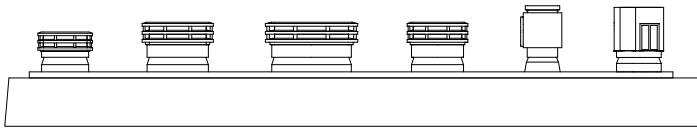
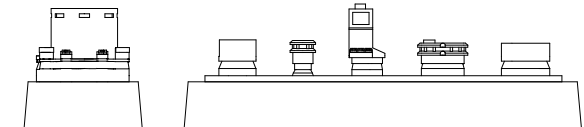
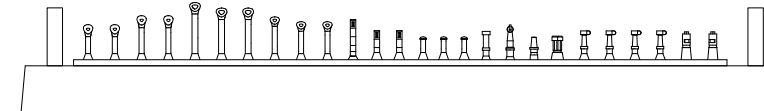
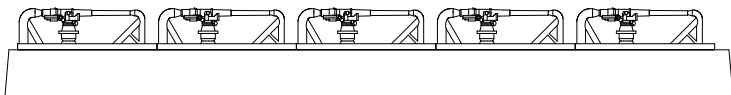
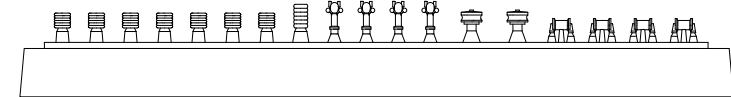
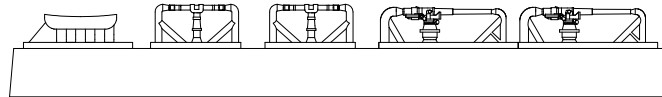
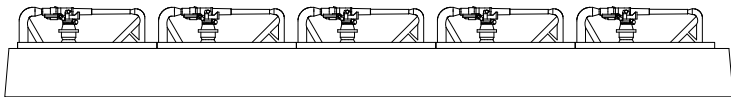
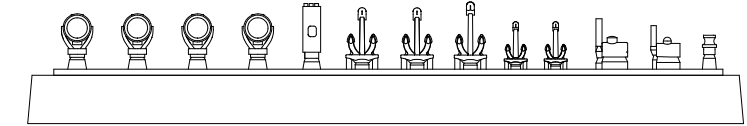
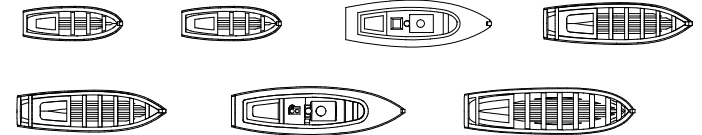
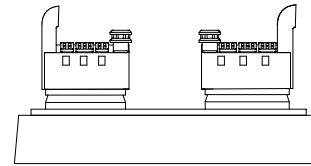
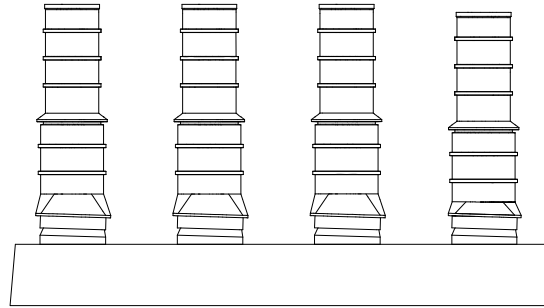
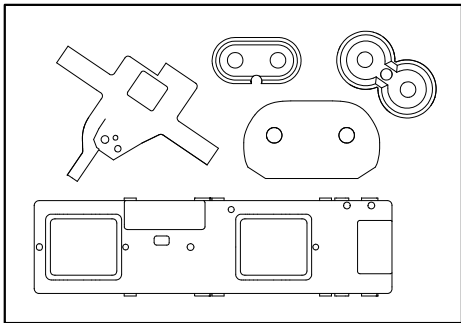
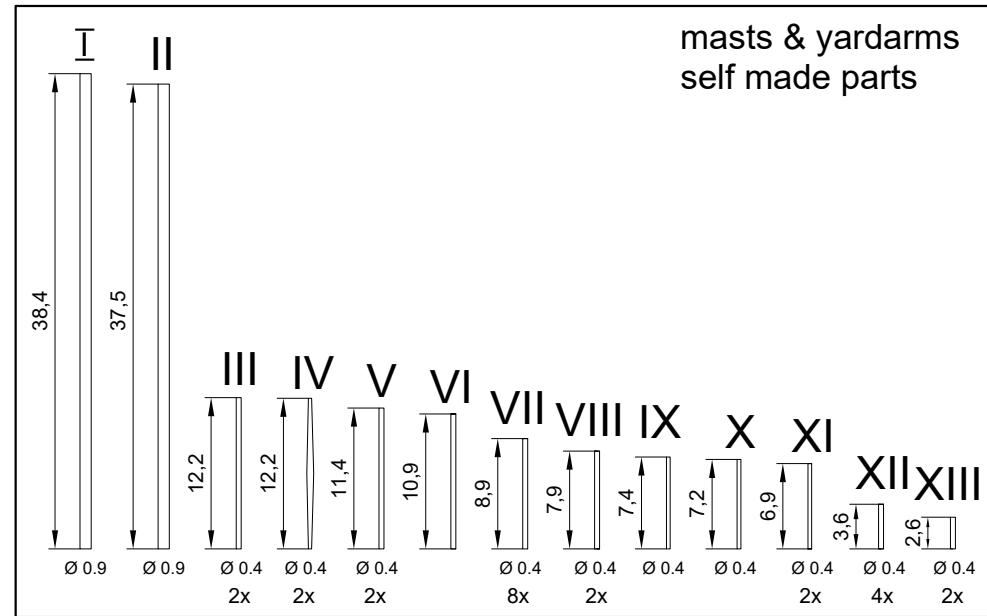
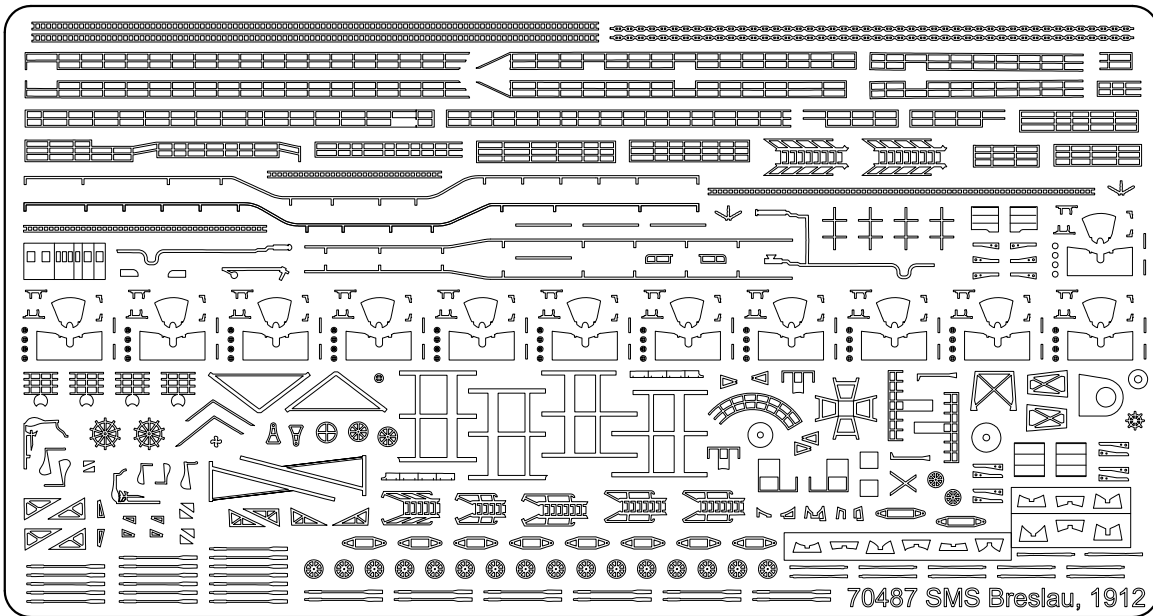
German Light Cruiser, 1912

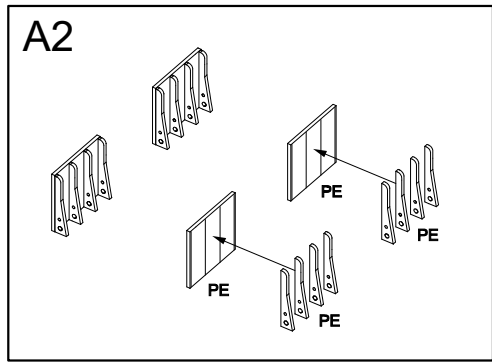
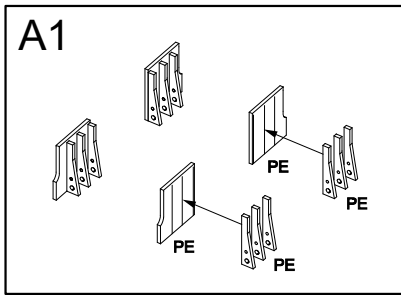
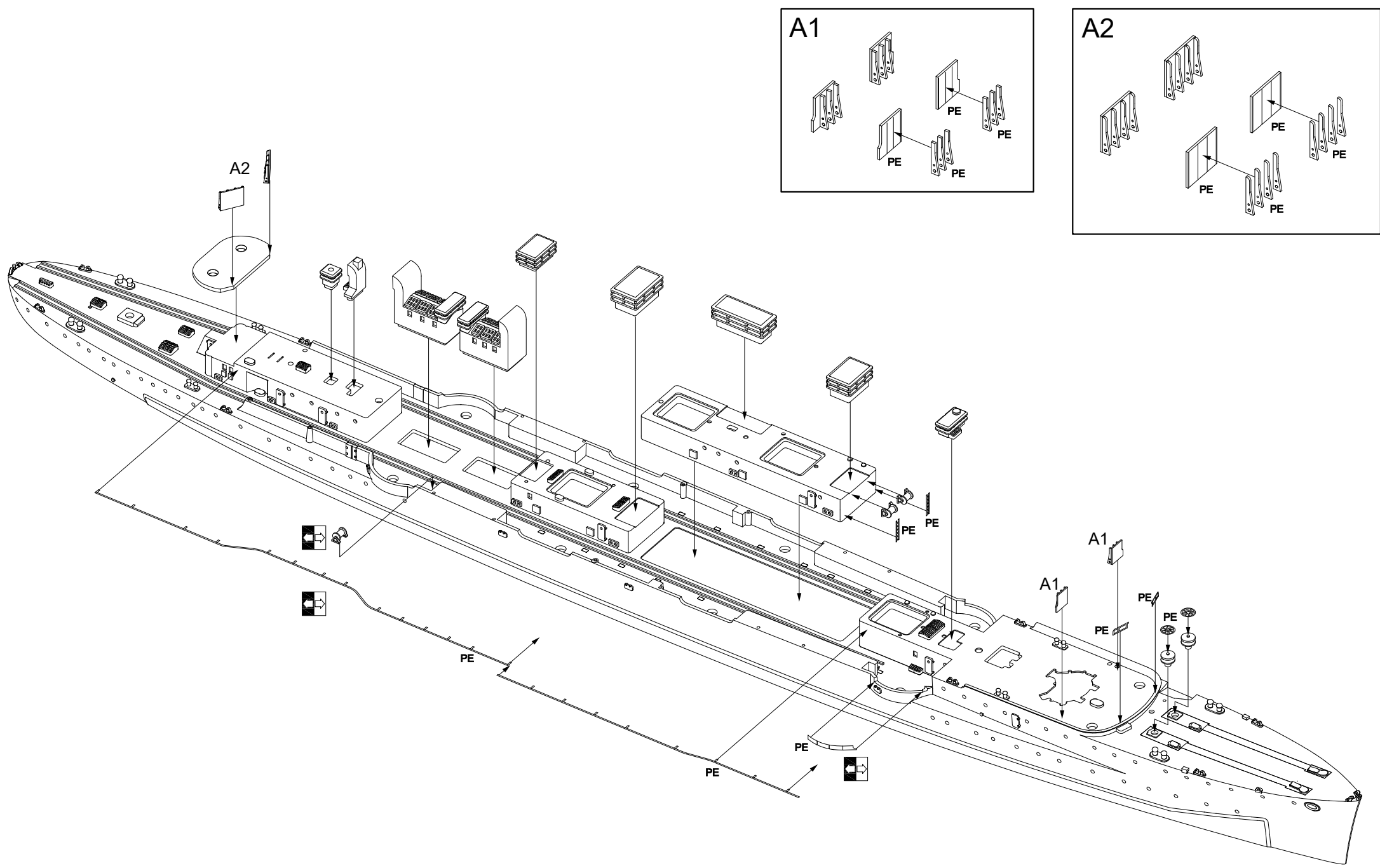
SMS Breslau

1/700



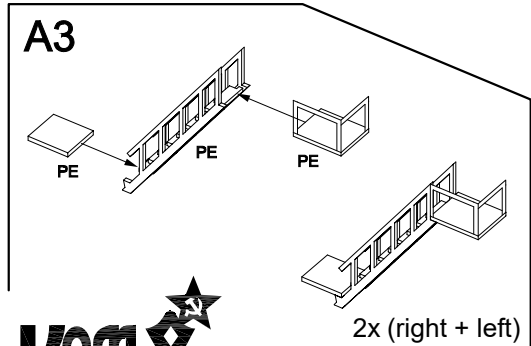
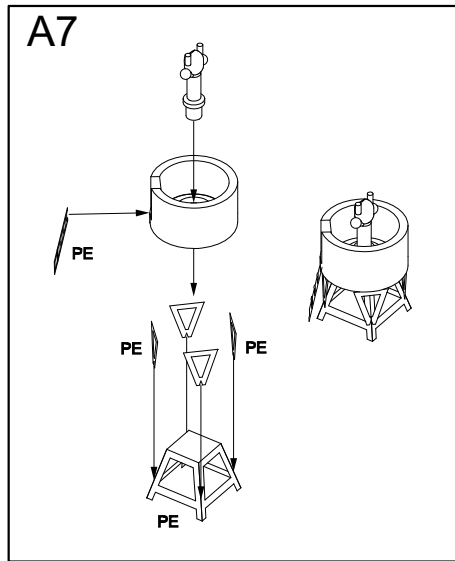
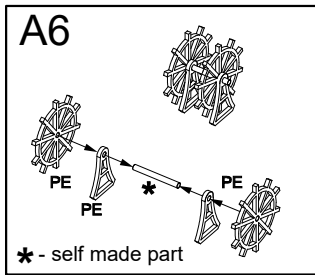
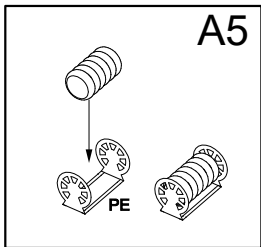
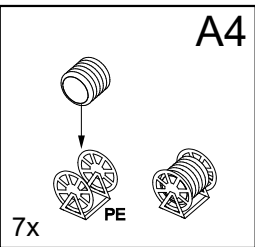
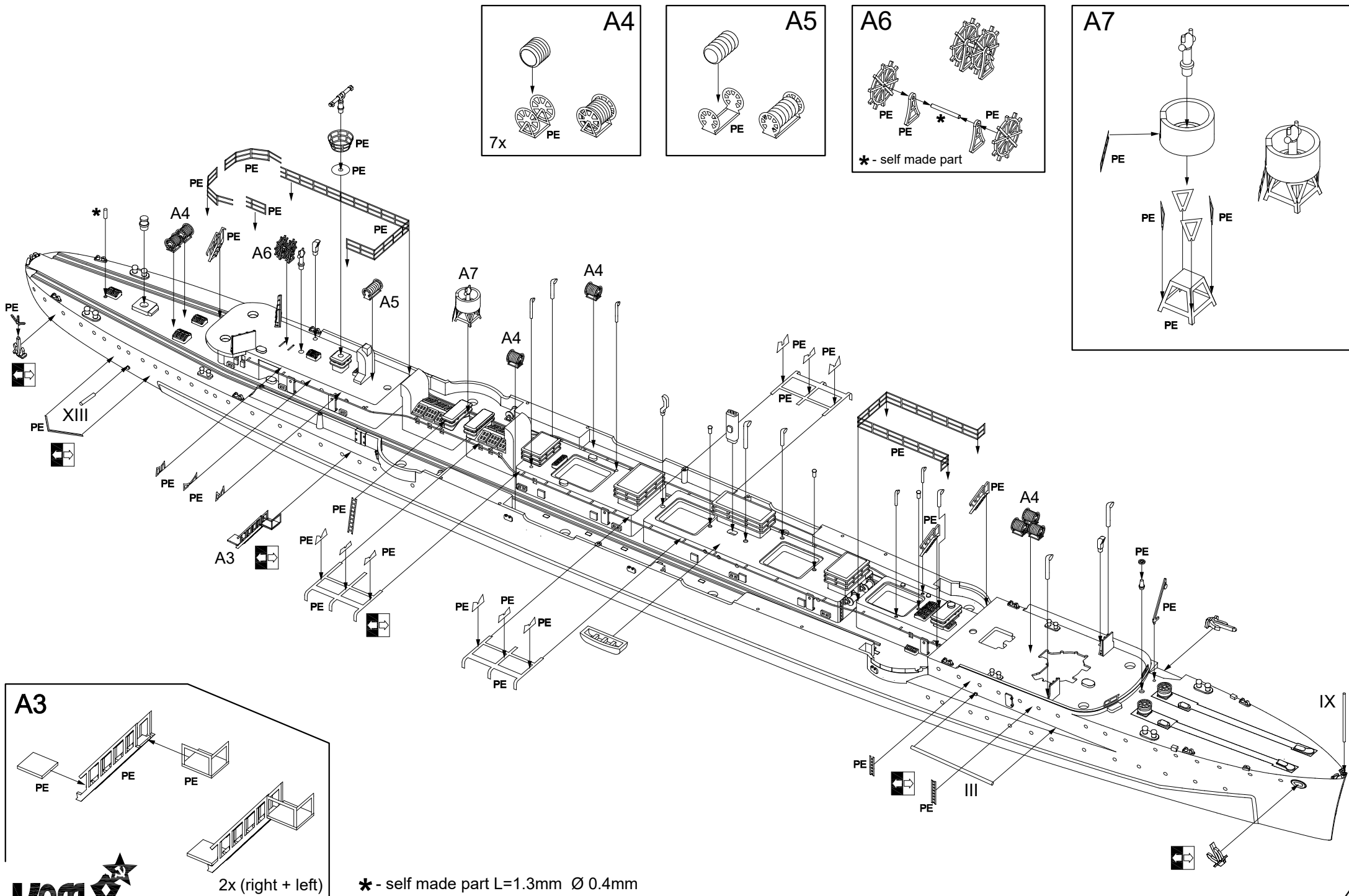
For more info on Combrig kits see: www.combrig-models.com www.steelnavy.net www.modelwarships.com 70487





Please note that the assembly guide reflects the position of the parts when installed only, and not the exact order of the assembly.
 To download the assembly instructions in PDF (high resolution) please visit www.combrig-models.com

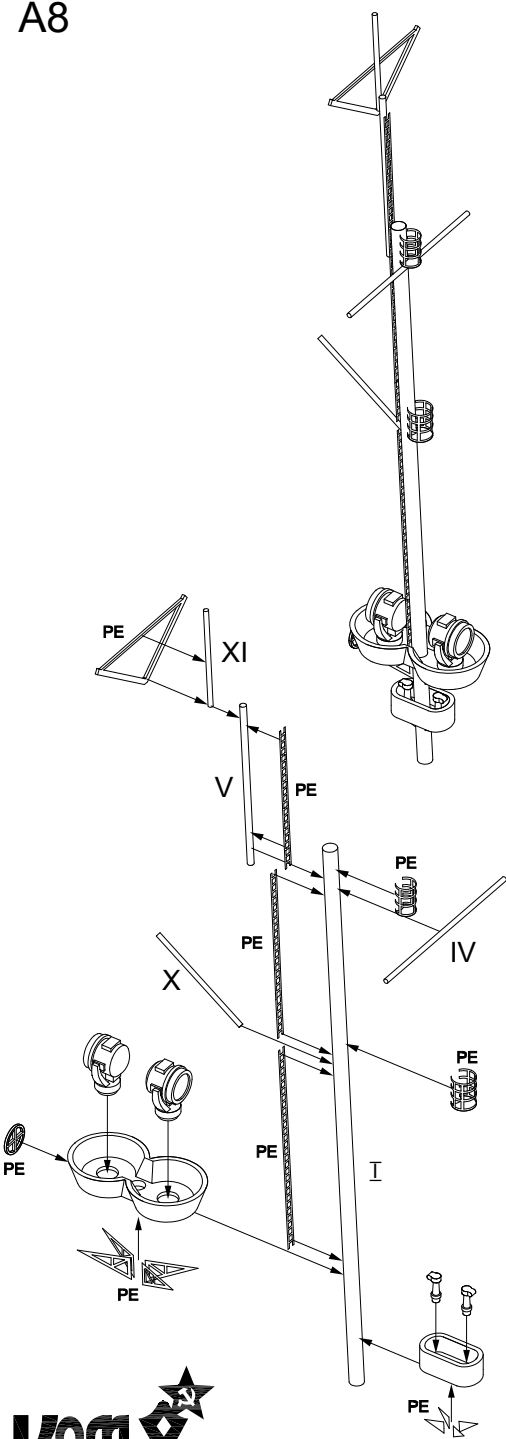
- Symmetrical assembly



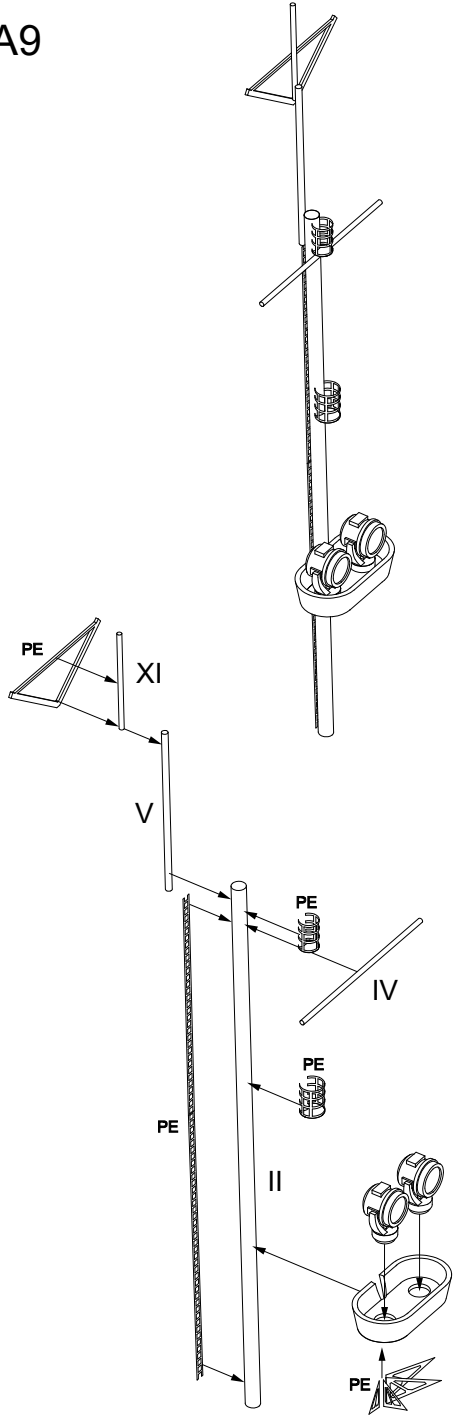
* - self made part L=1.3mm Ø 0.4mm



A8



A9



A10

