

# British battlecruiser, project 1920

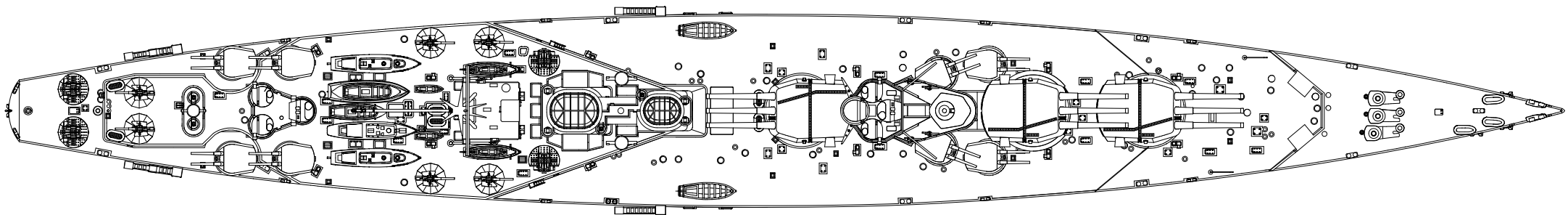
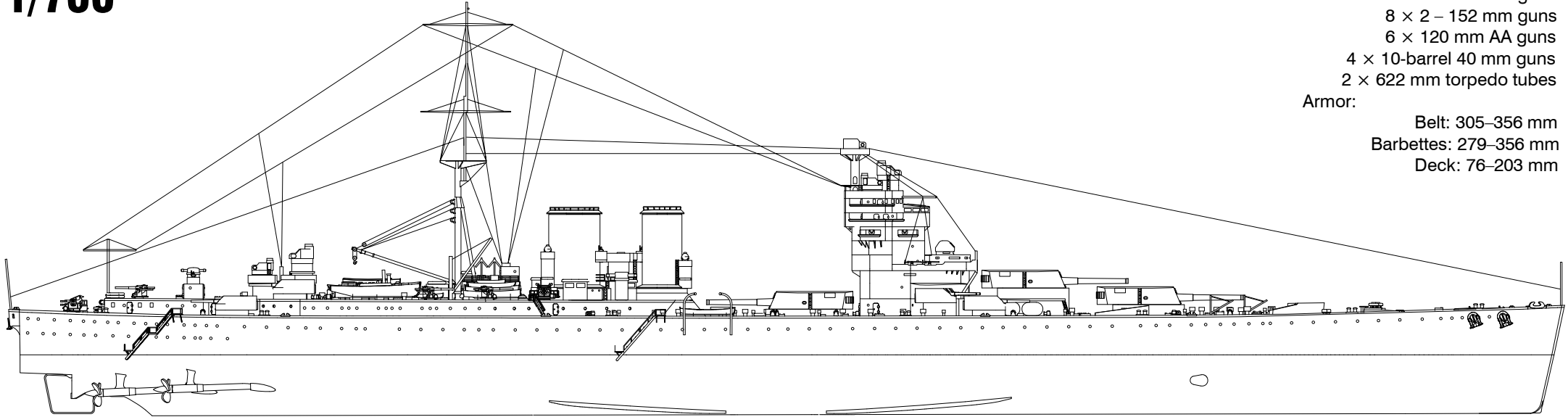
## HMS G-3

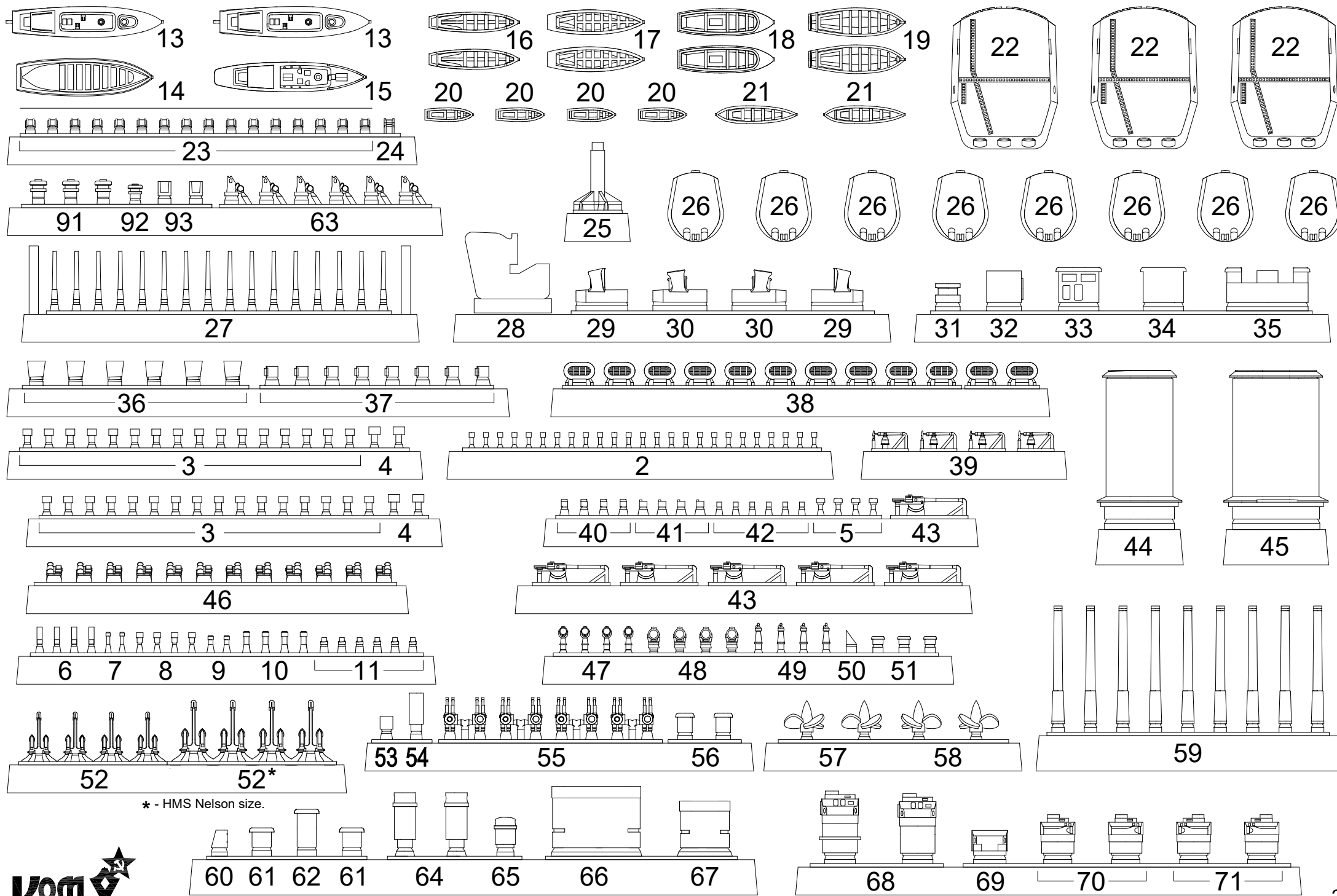
1/700

Displacement:..49.200 t/57.774t  
Length:.....260.9 m  
Beam:.....32.3 m  
Draft.....10.9 m  
Installed power.....160000 hp  
Speed:..... 32 knots  
Range:.....7000 nmi  
Armament:

- 3 × 3 – 406 mm guns
- 8 × 2 – 152 mm guns
- 6 × 120 mm AA guns
- 4 × 10-barrel 40 mm guns
- 2 × 622 mm torpedo tubes

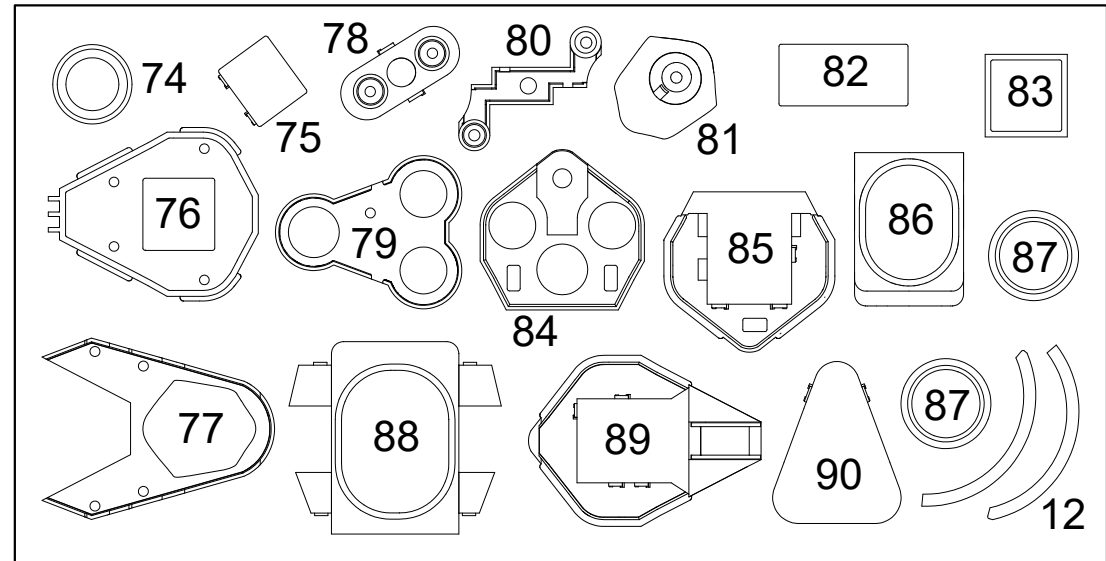
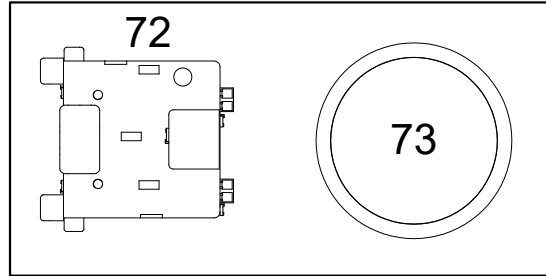
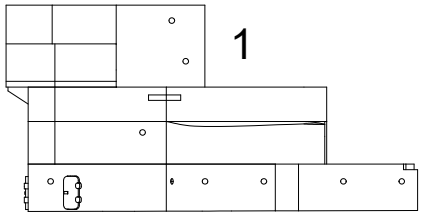
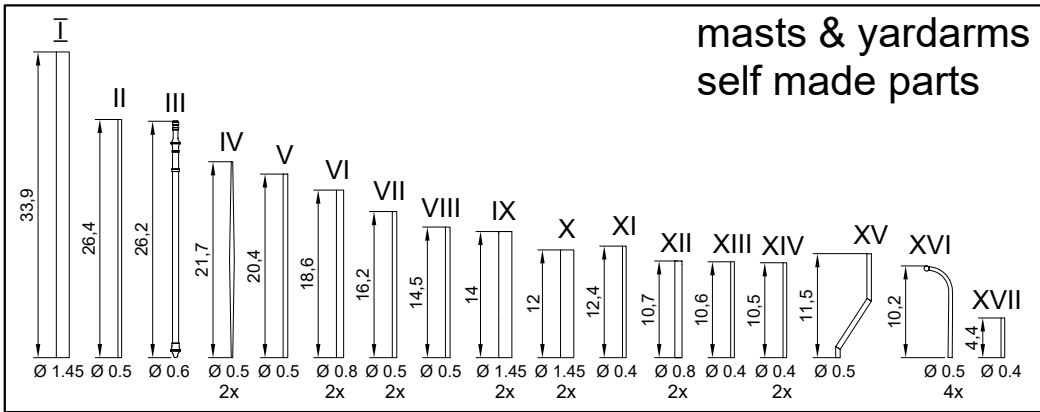
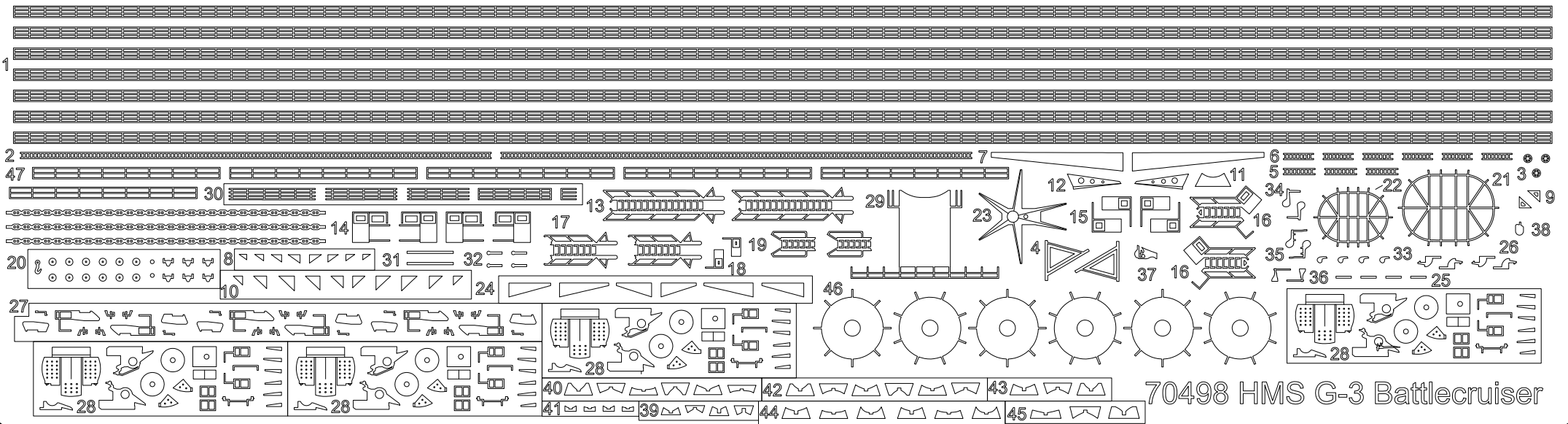
Armor:  
Belt: 305–356 mm  
Barbettes: 279–356 mm  
Deck: 76–203 mm





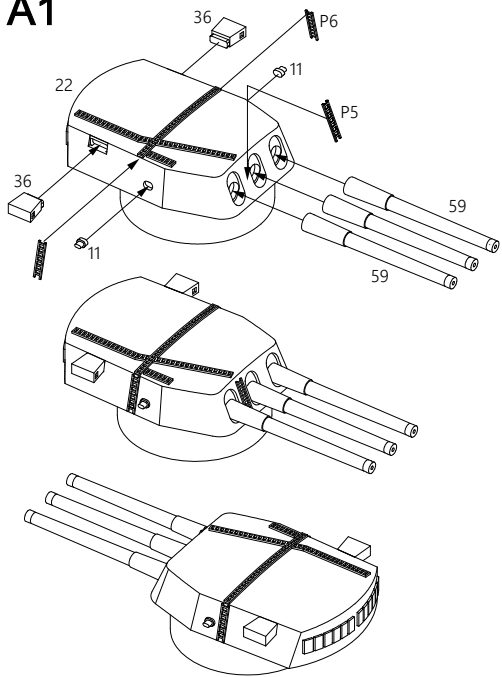
\* - HMS Nelson size.





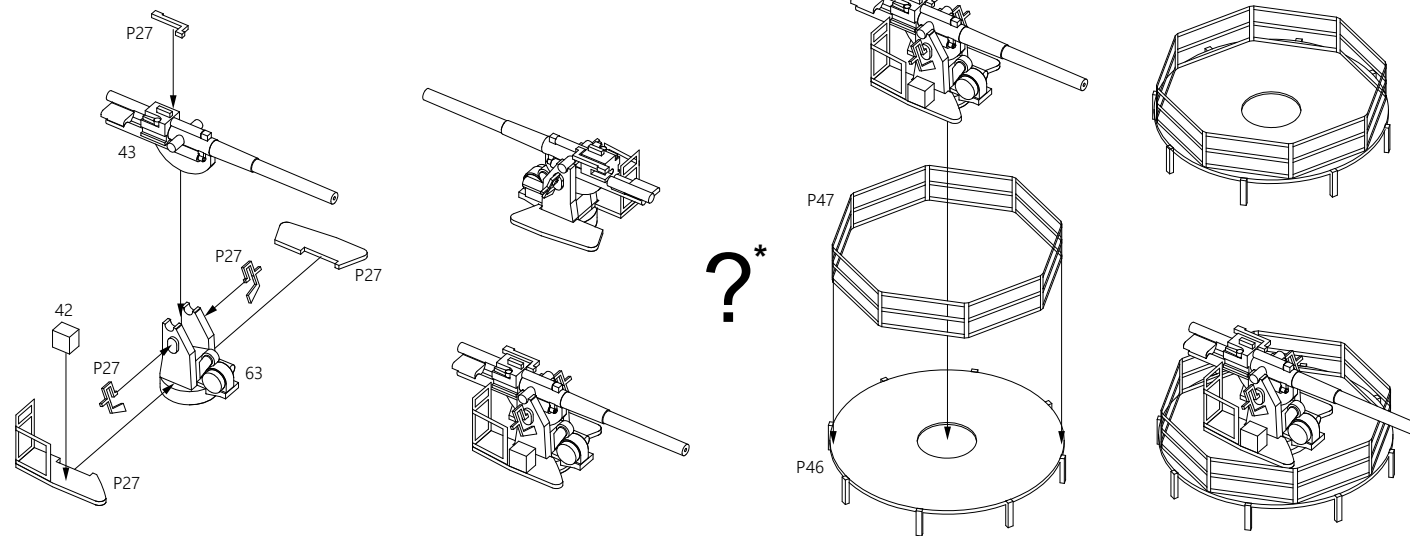
Please note that the assembly guide reflects the position of the parts when installed only, and not the exact order of the assembly.  
To download the assembly instructions in PDF (high resolution) please visit [www.combrig-models.com](http://www.combrig-models.com)

A1



3x

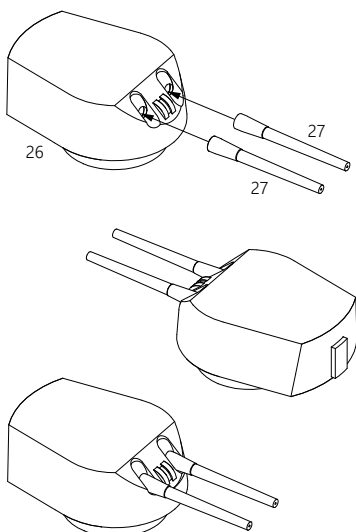
A3



\* - On the left as fitted on HMS Nelson, on the right as designed.

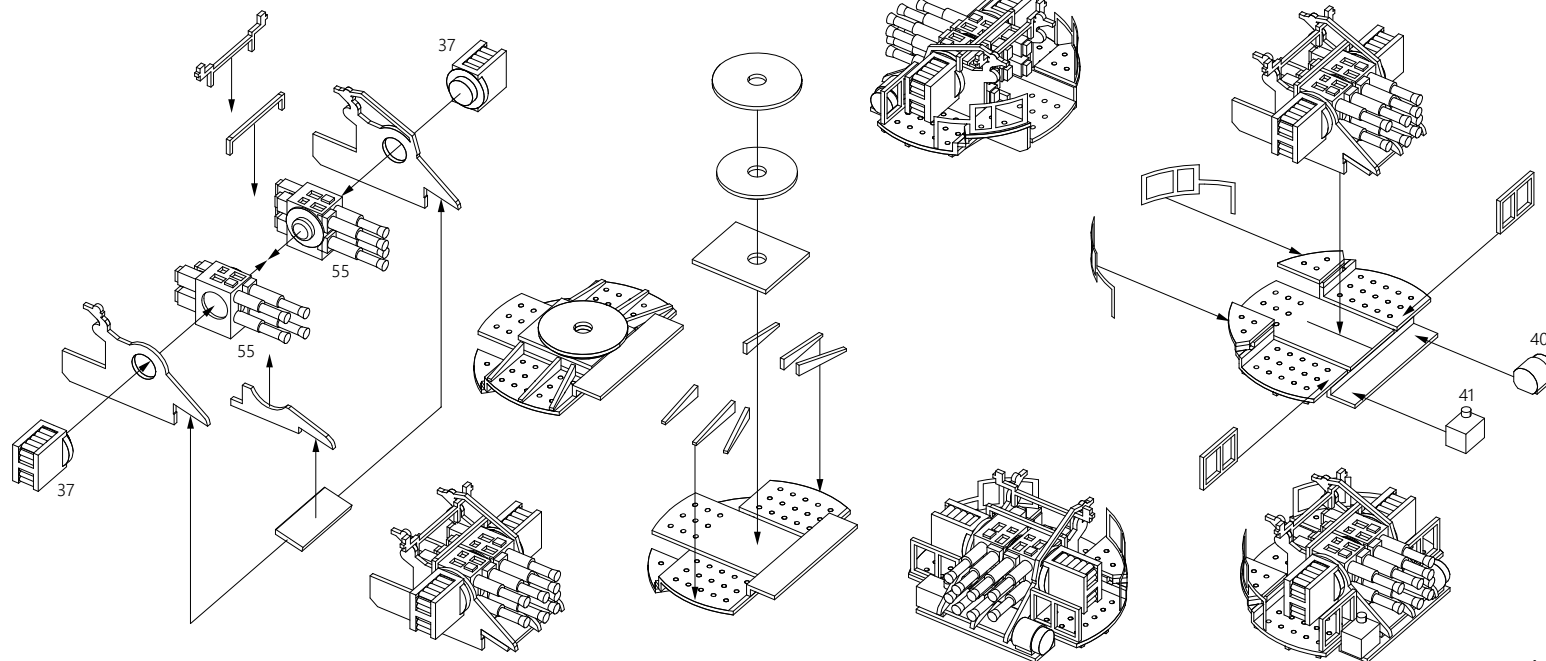
6x

A2

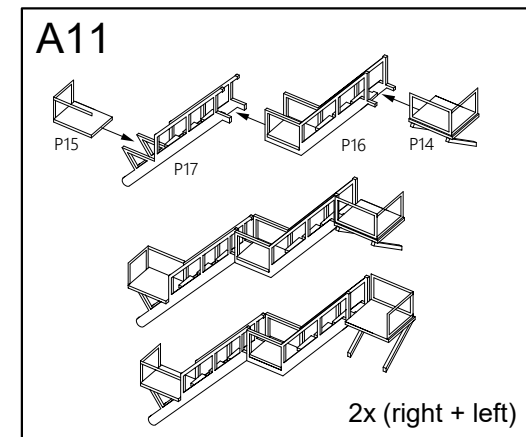
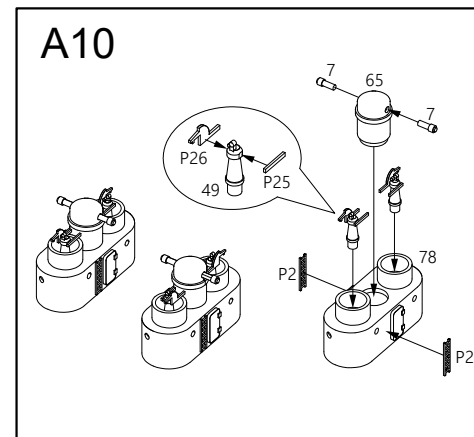
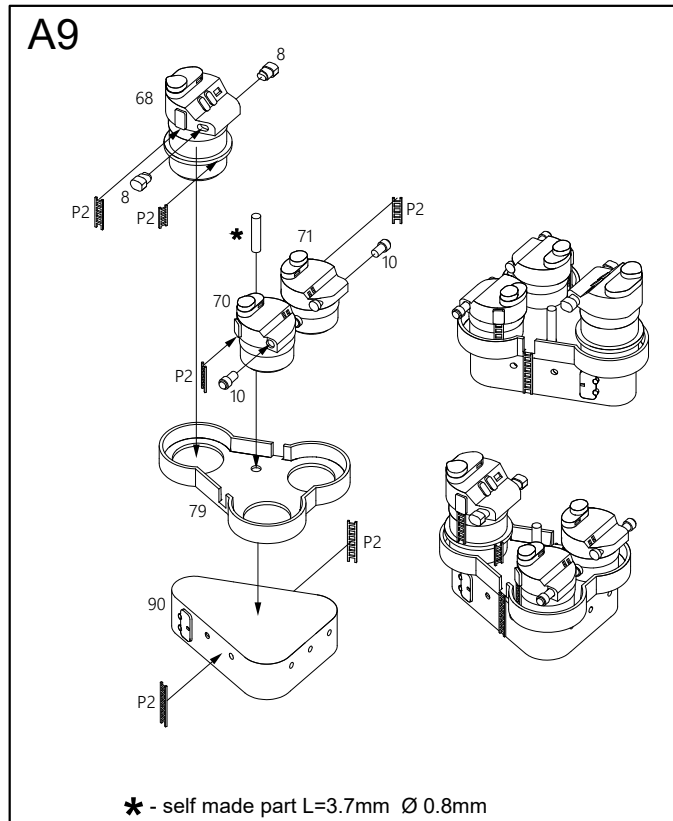
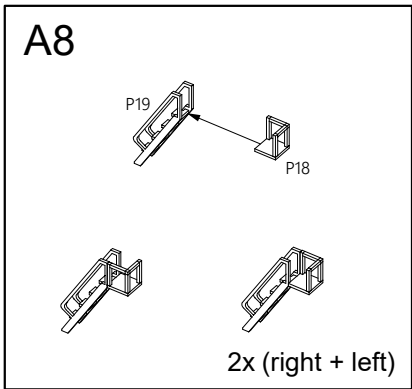
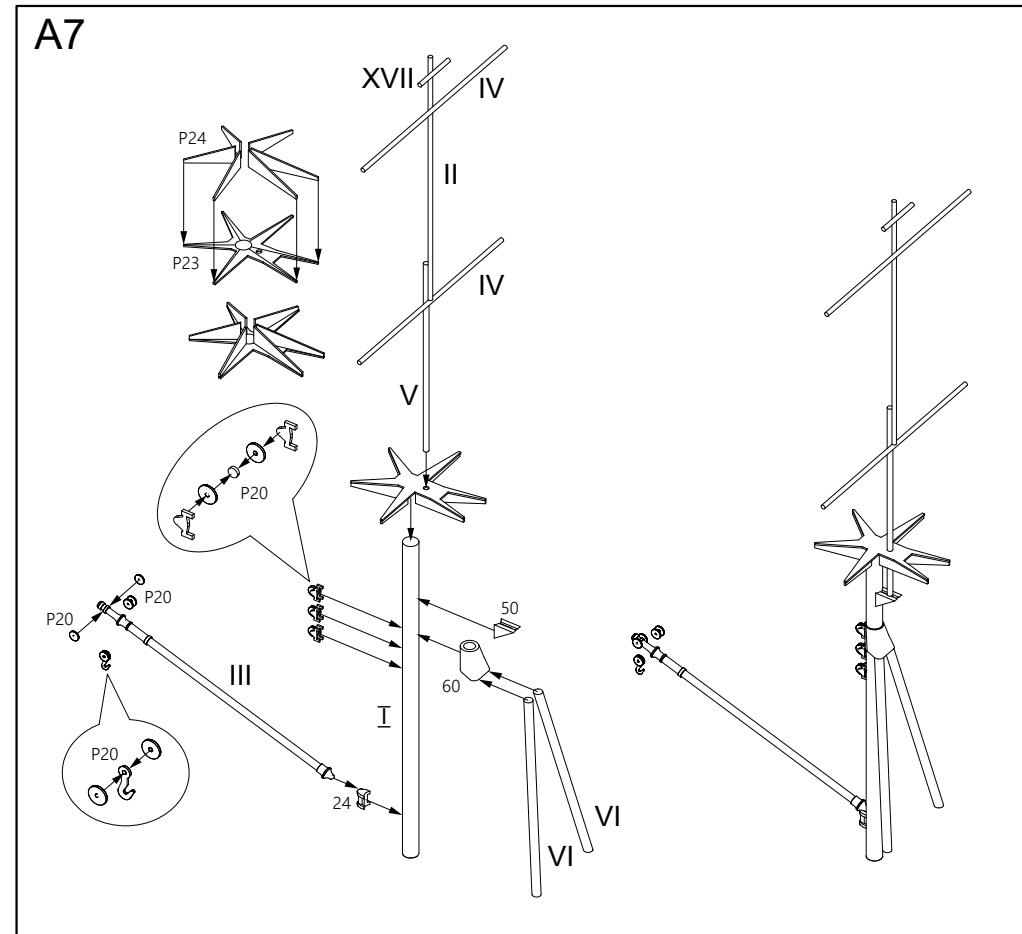
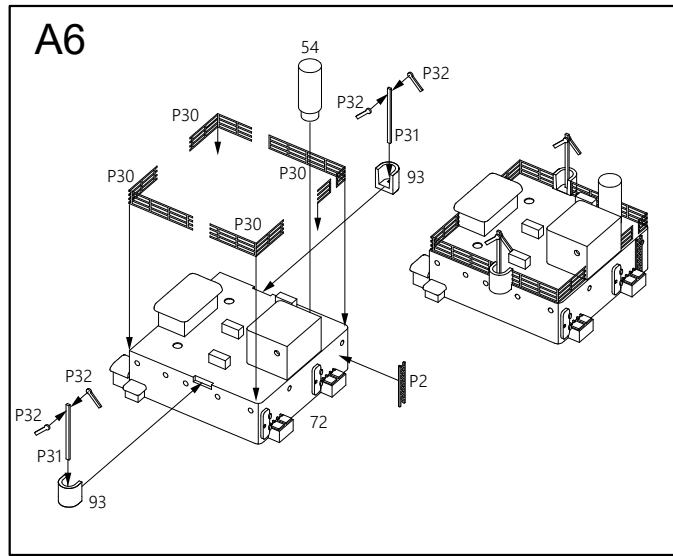
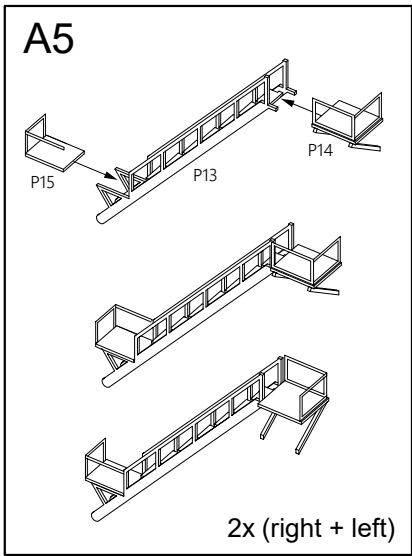


8x

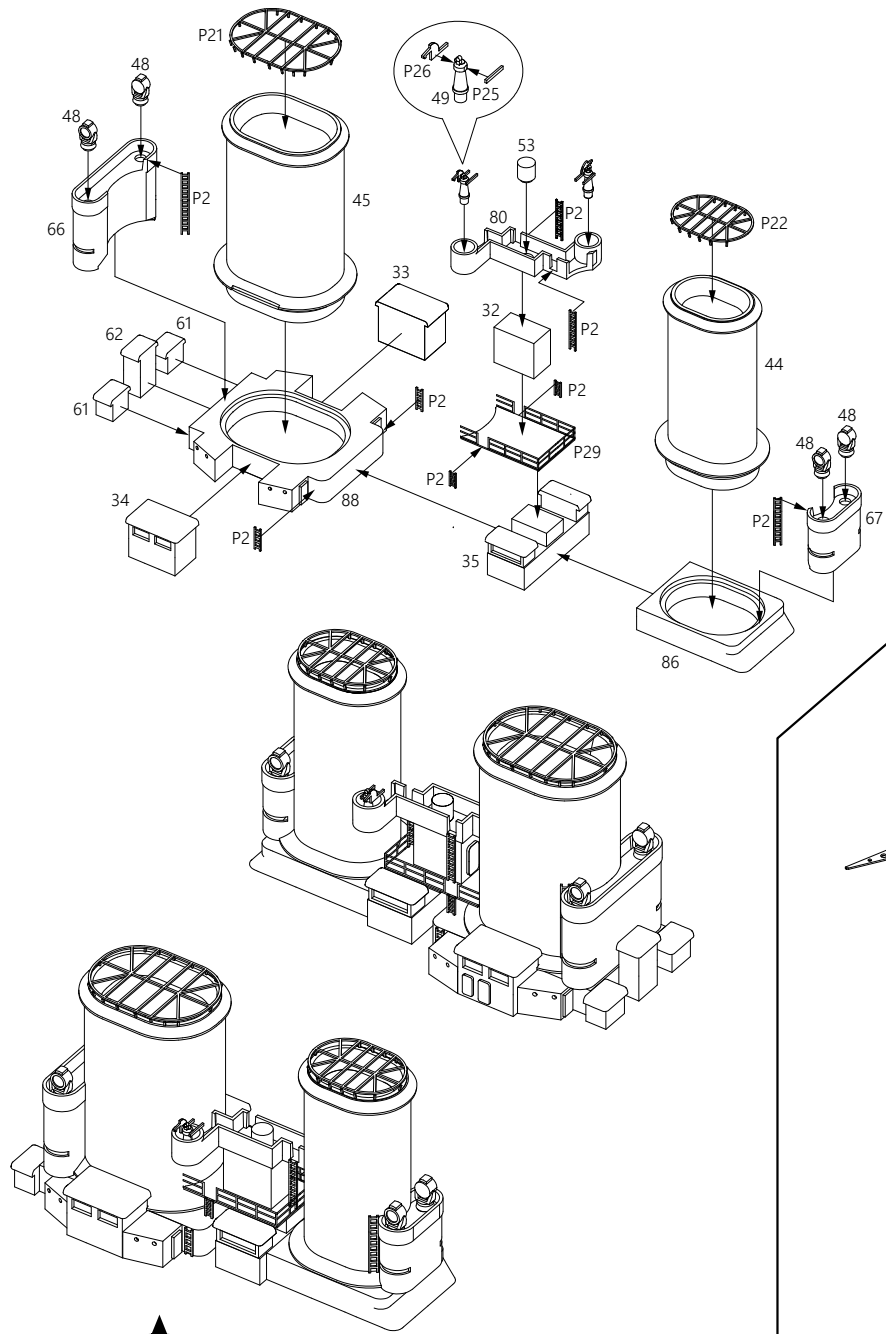
A4



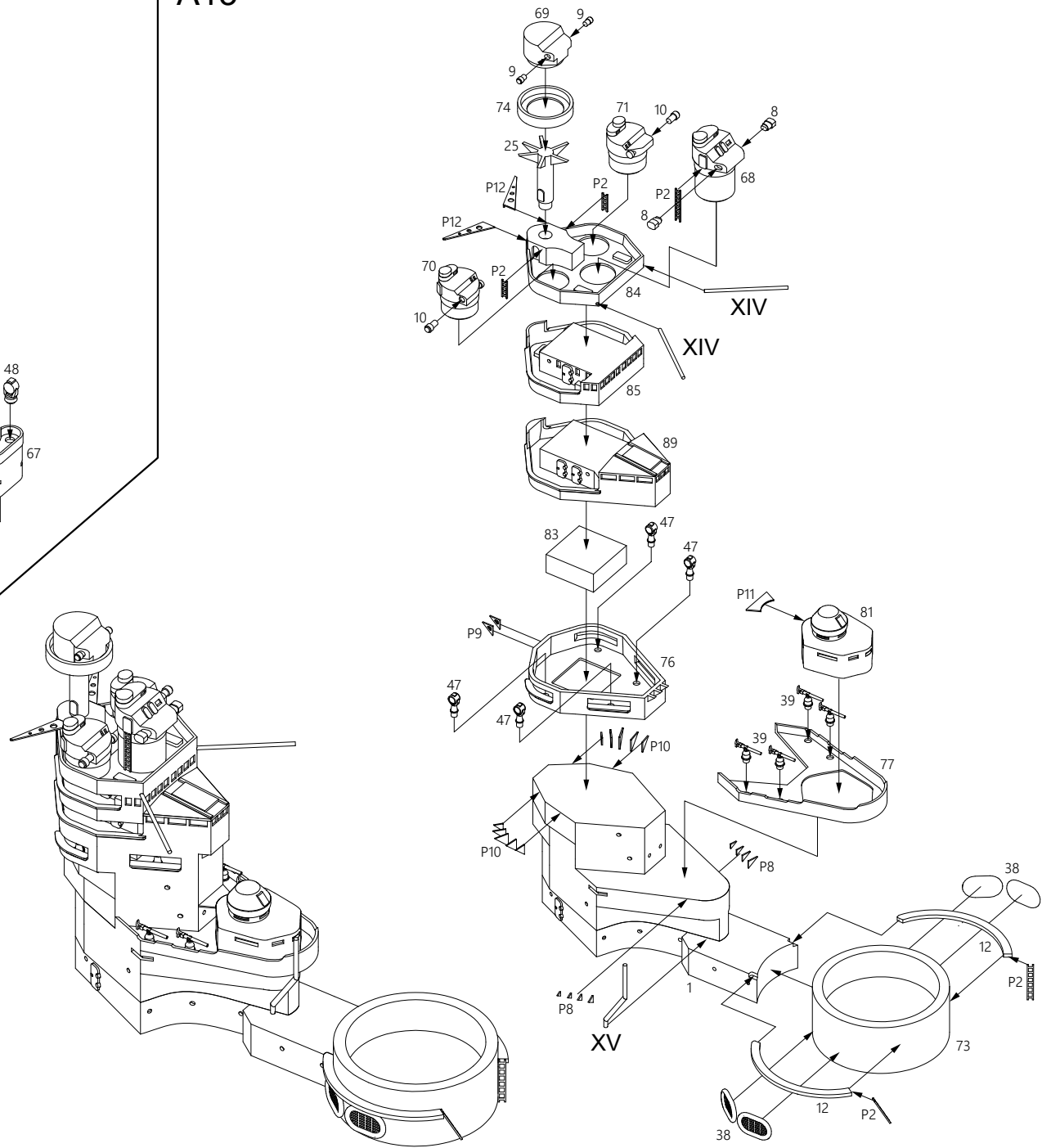
4x

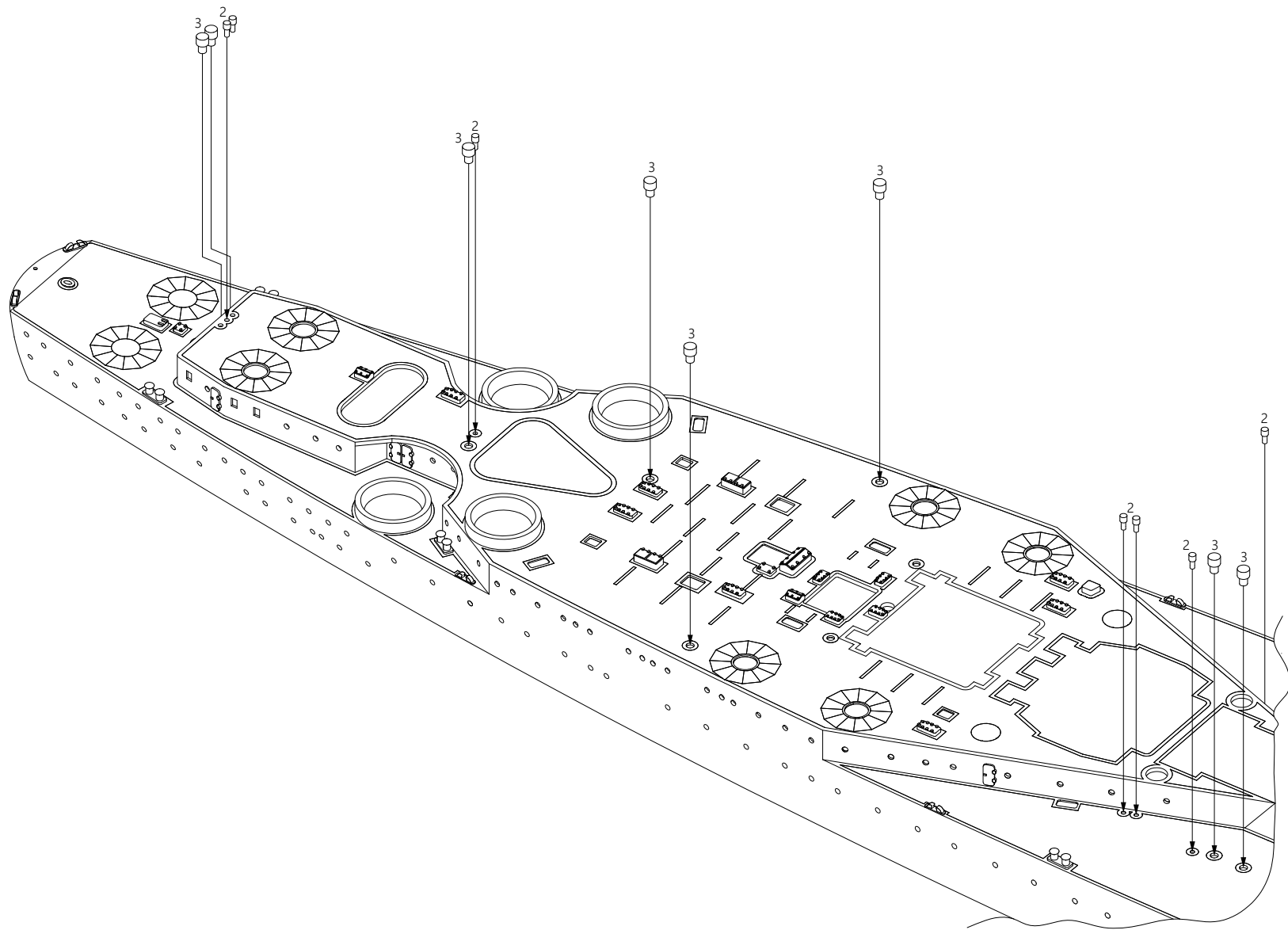


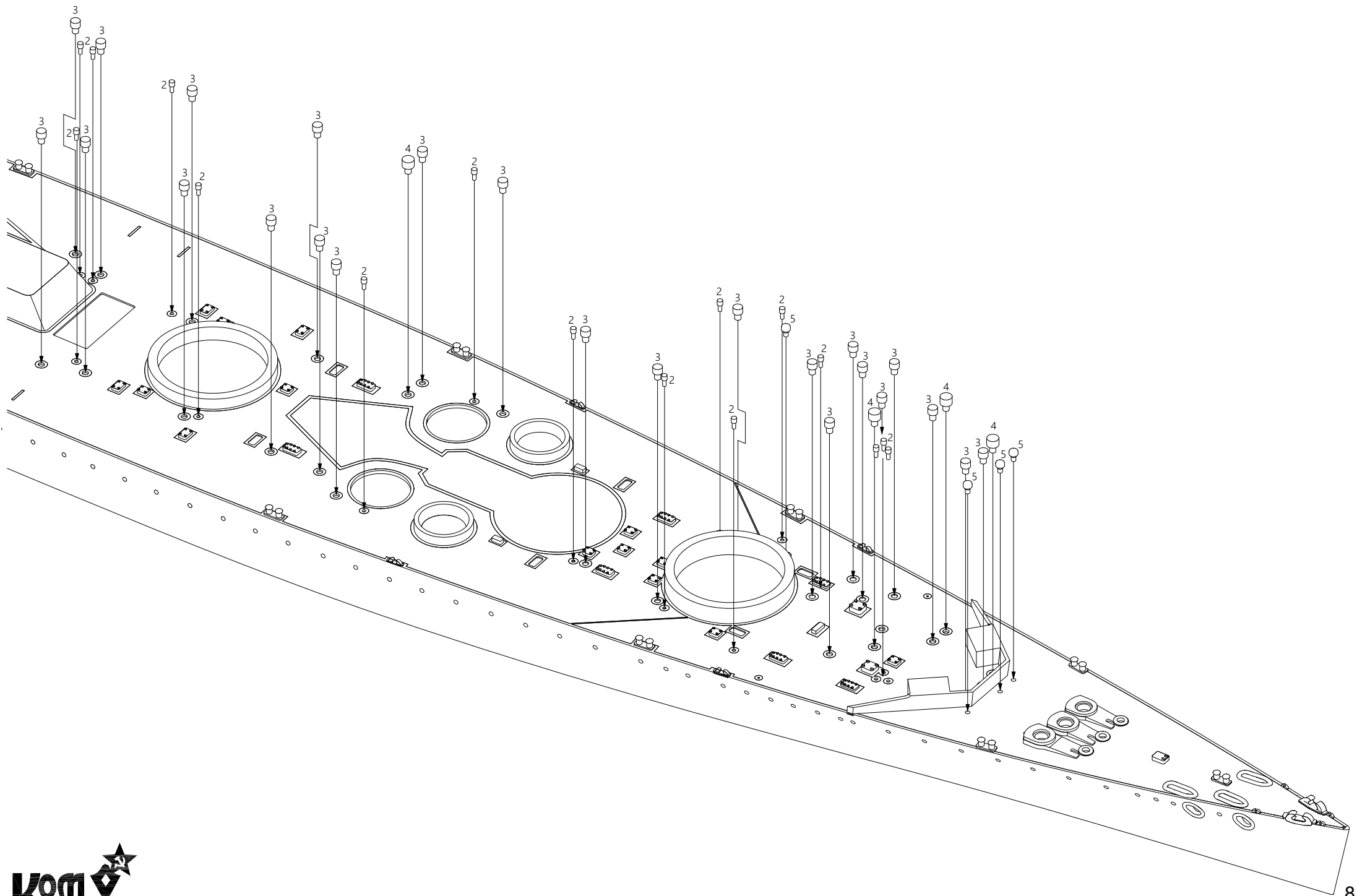
# A12



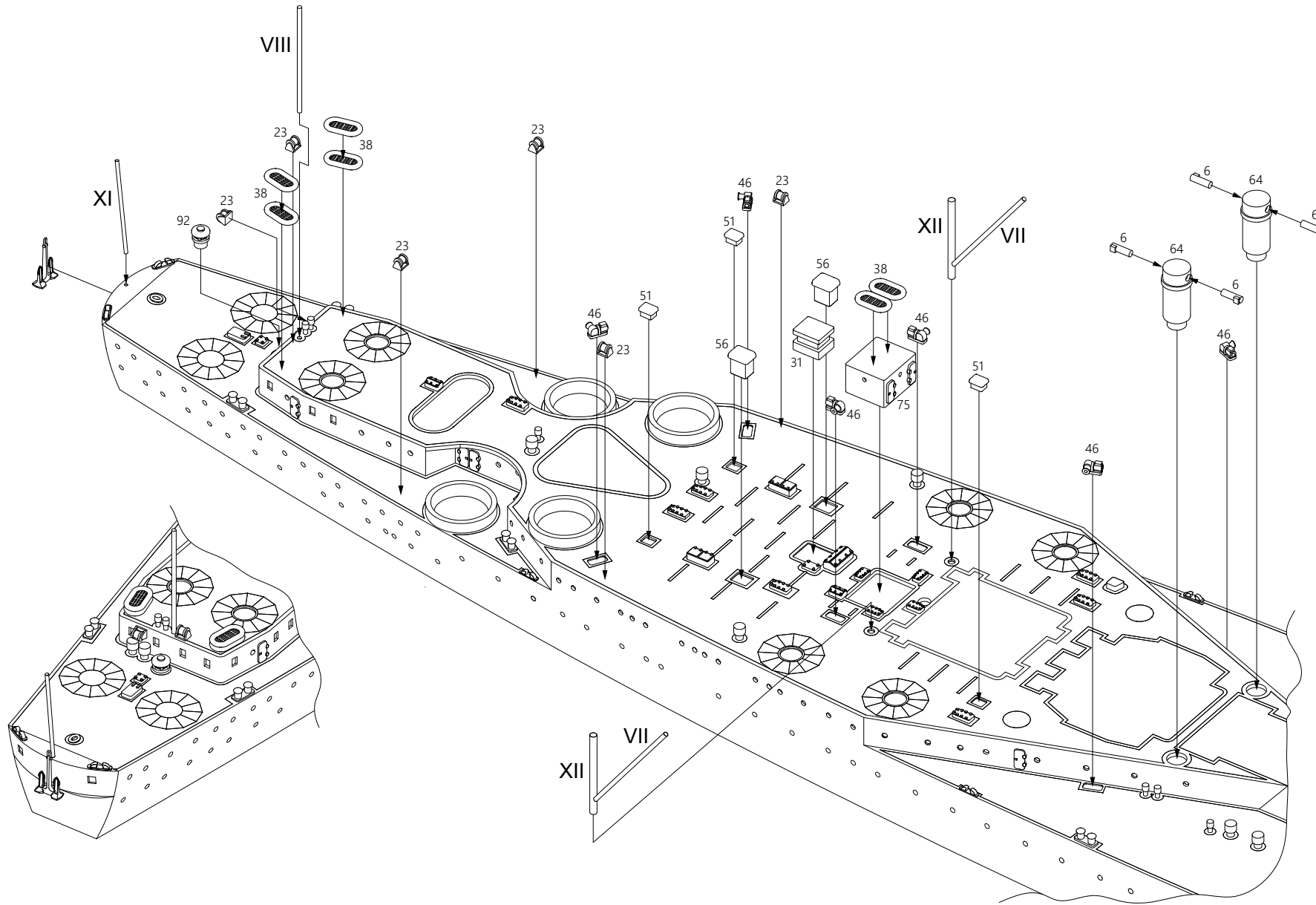
# A13

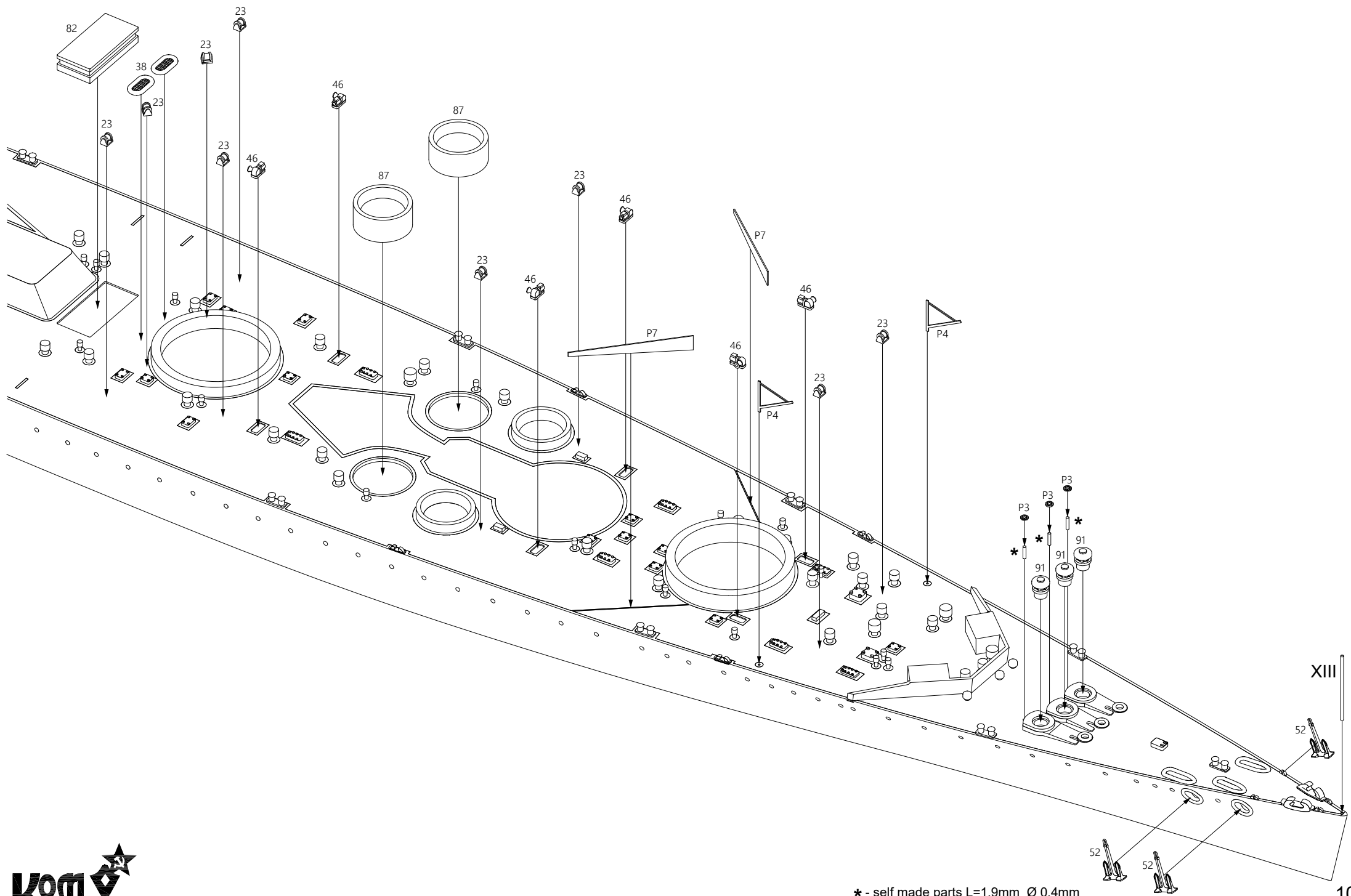


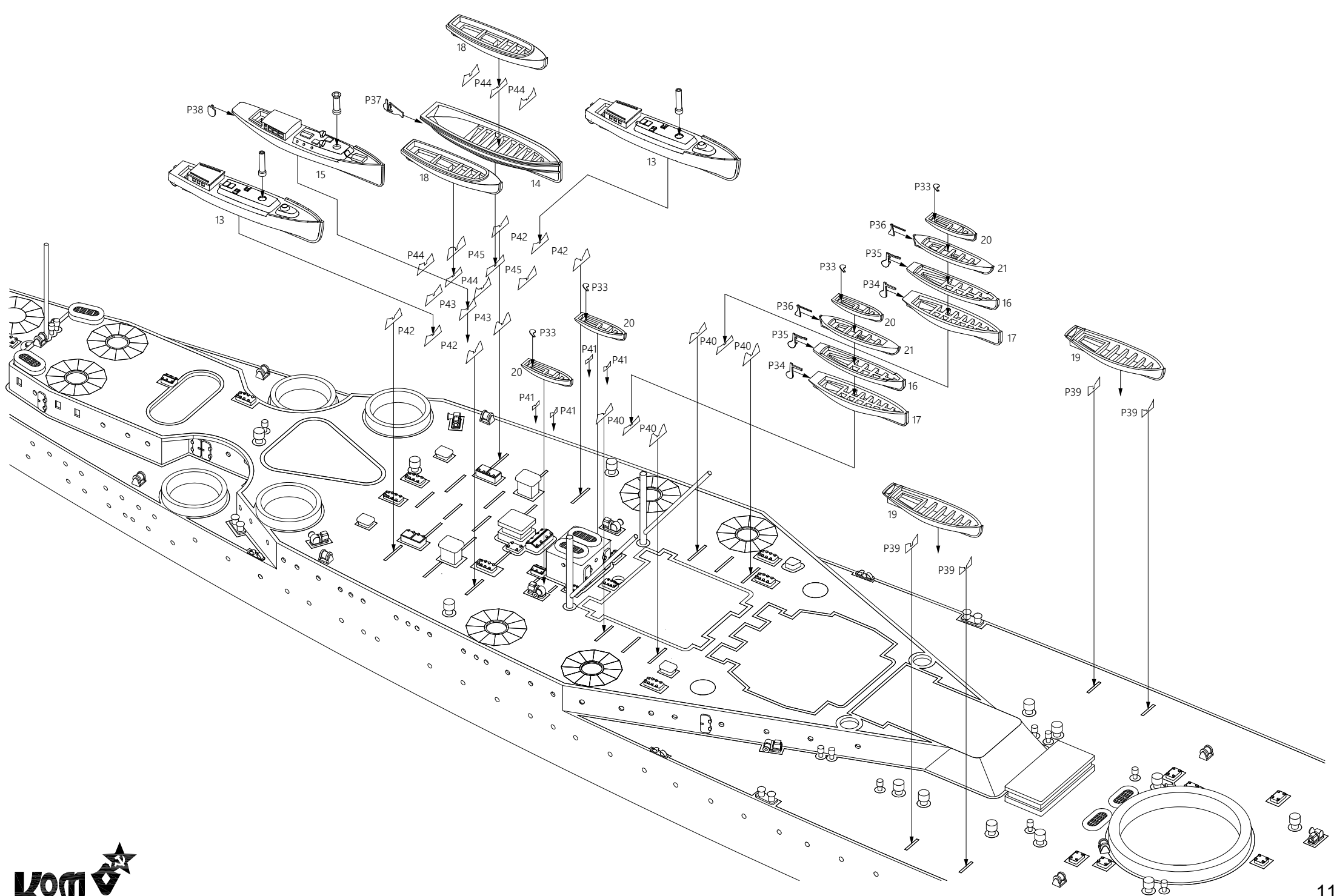


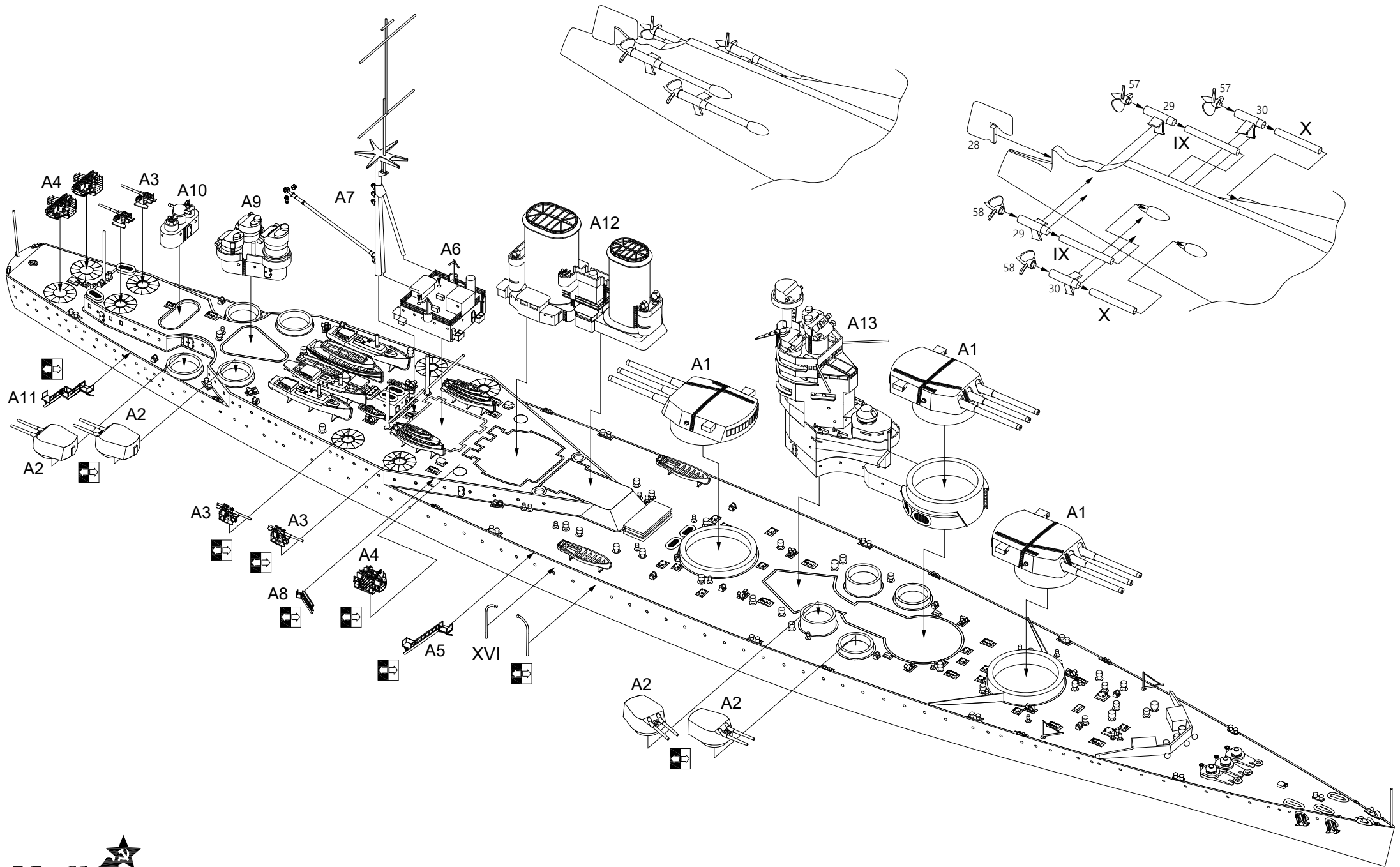













 Symmetrical assembly

For more info on Combrig kits see: [www.combrig-models.com](http://www.combrig-models.com) [www.steelnavy.net](http://www.steelnavy.net) [www.modelwarships.com](http://www.modelwarships.com) 70498

