

# German Battleship, 1905

## SMS Hessen

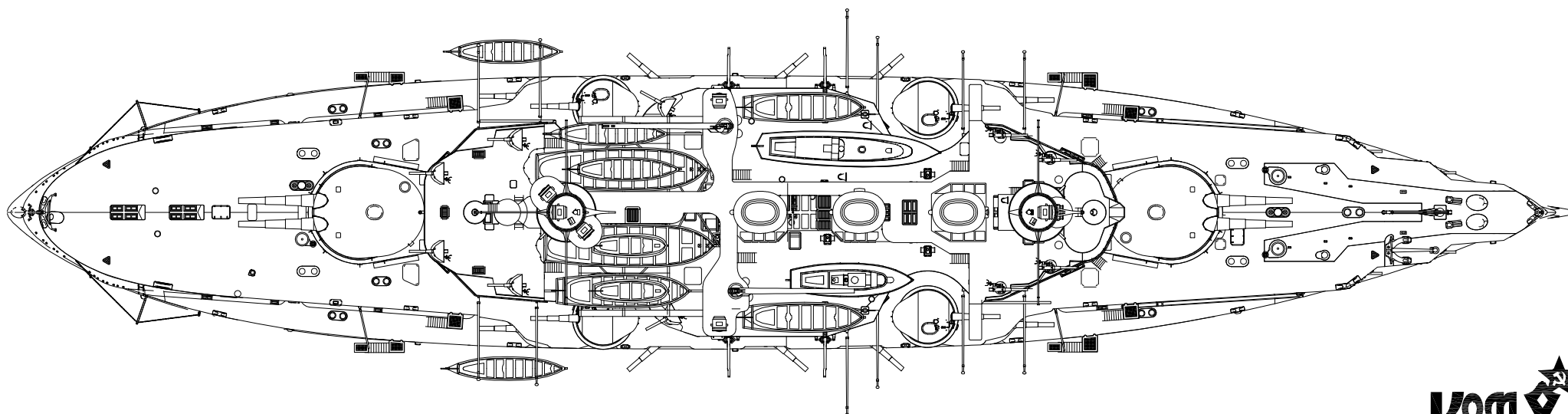
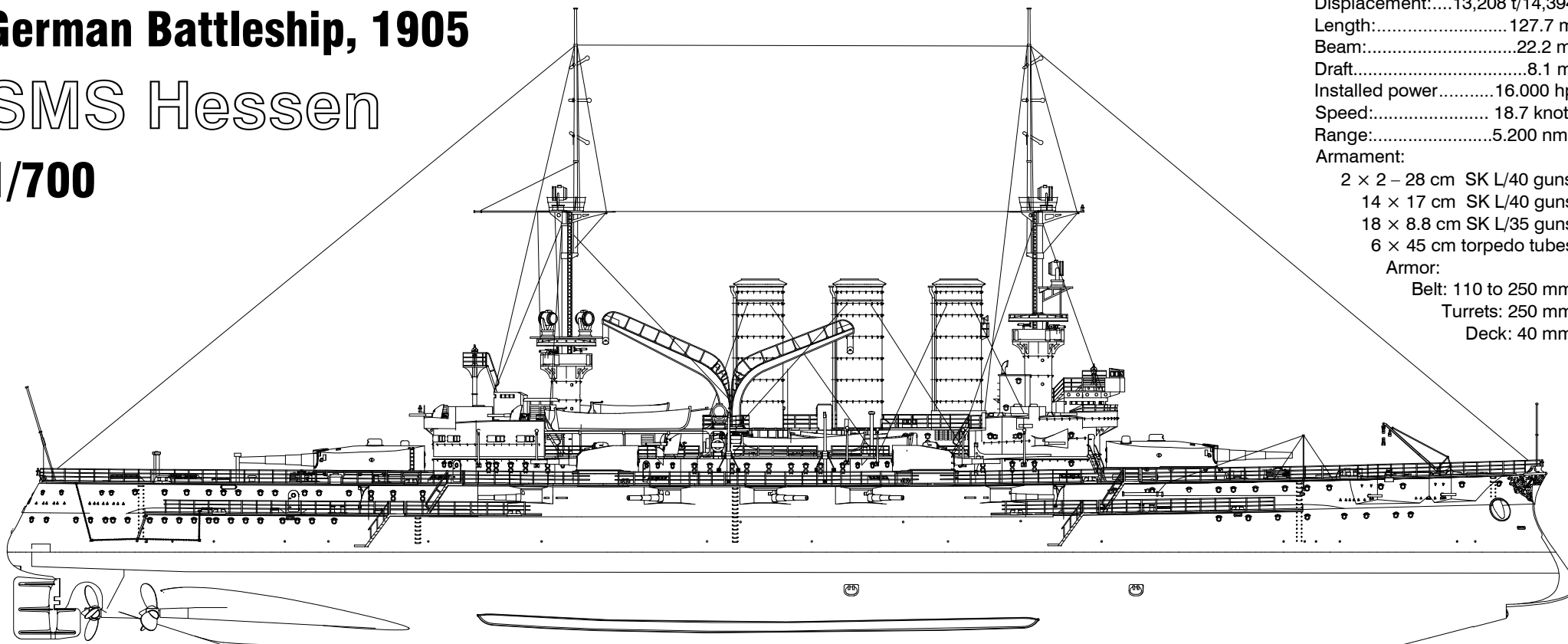
1/700

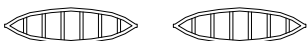
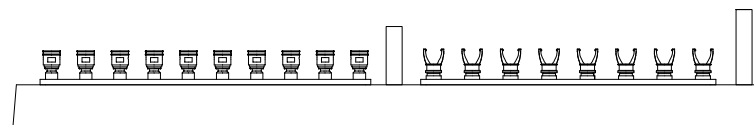
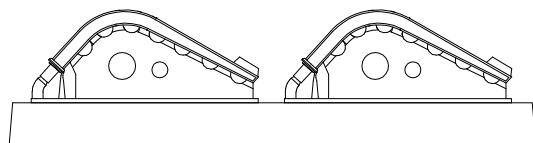
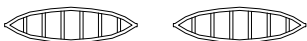
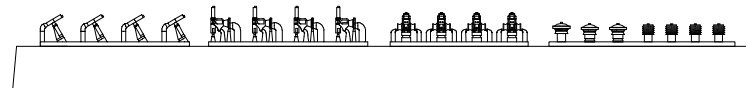
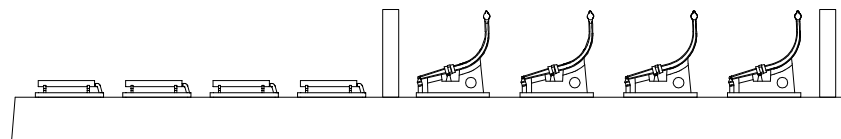
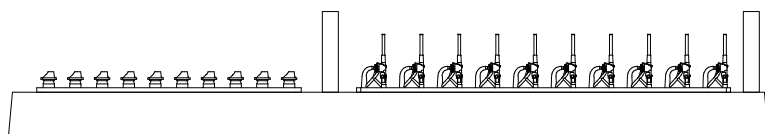
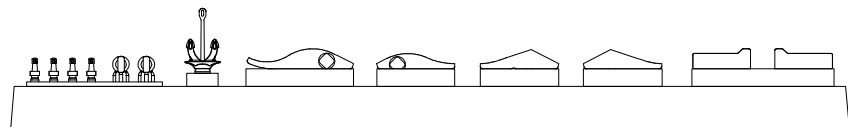
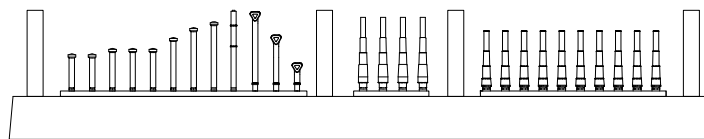
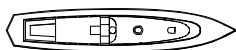
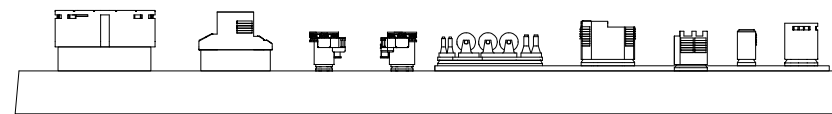
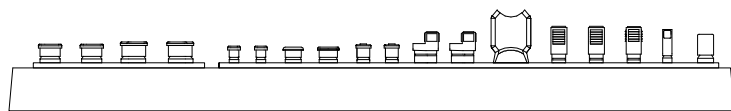
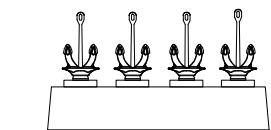
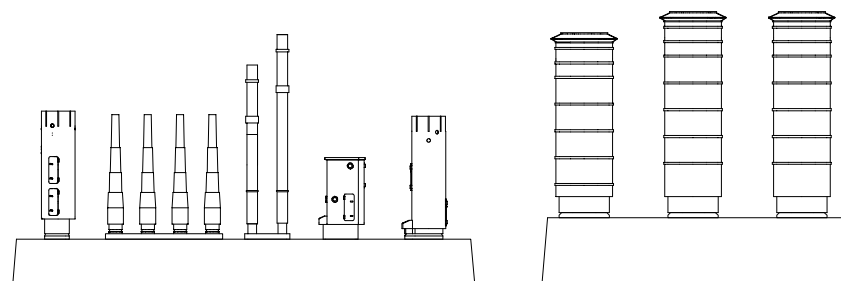
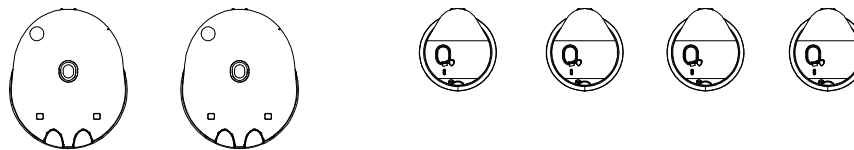
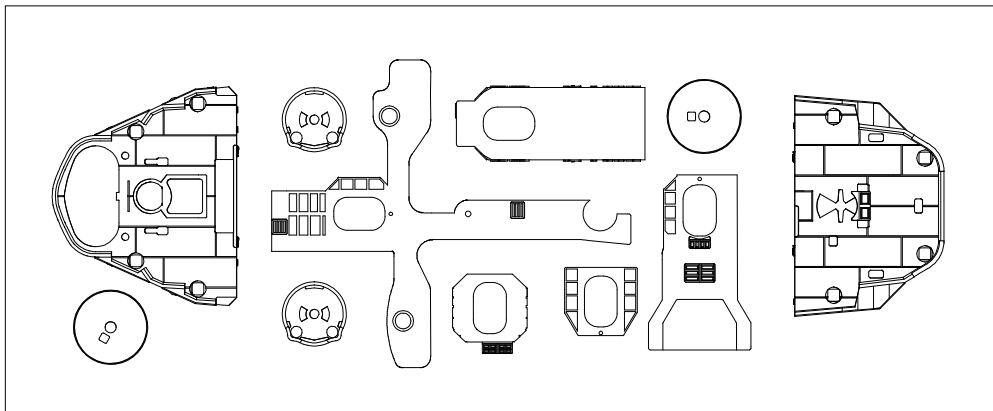
Displacement:.....13,208 t/14,394  
Length:.....127.7 m  
Beam:.....22.2 m  
Draft:.....8.1 m  
Installed power.....16.000 hp  
Speed:.....18.7 knots  
Range:.....5.200 nmi  
Armament:

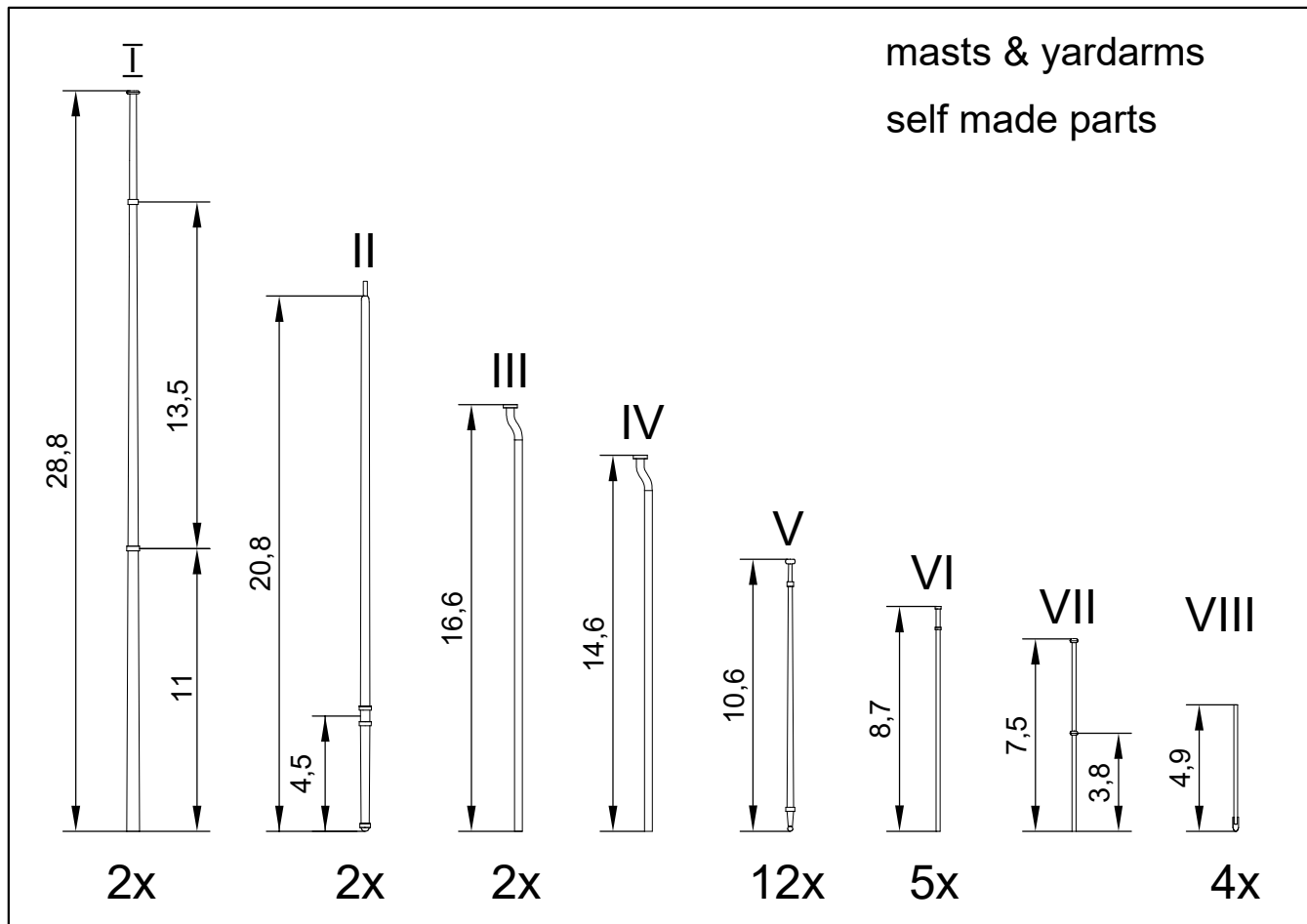
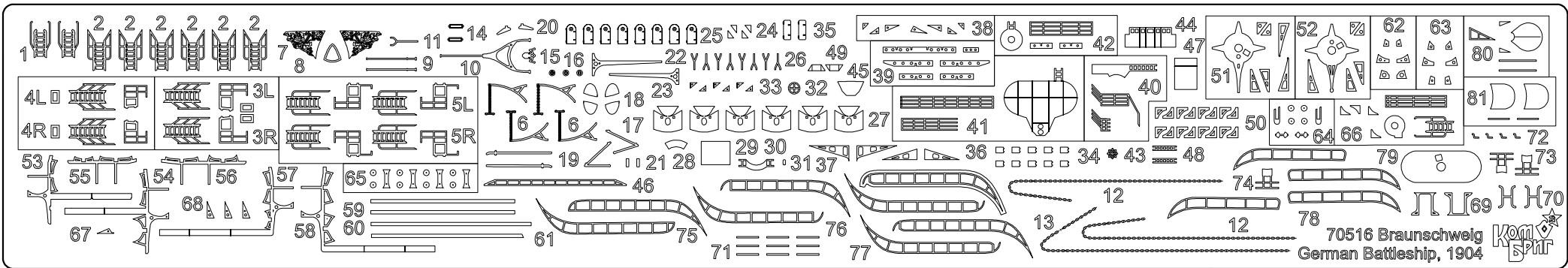
2 × 2 – 28 cm SK L/40 guns  
14 × 17 cm SK L/40 guns  
18 × 8.8 cm SK L/35 guns  
6 × 45 cm torpedo tubes

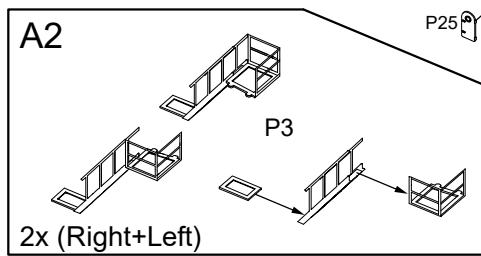
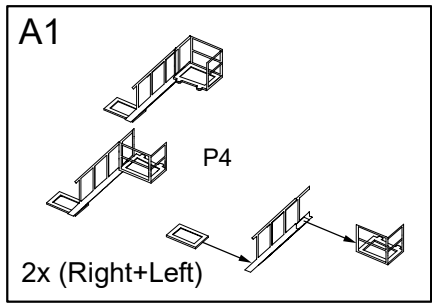
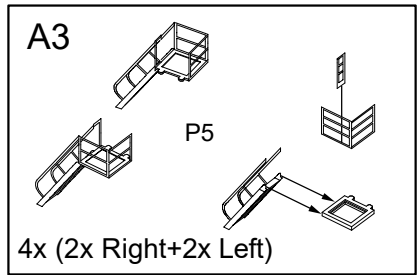
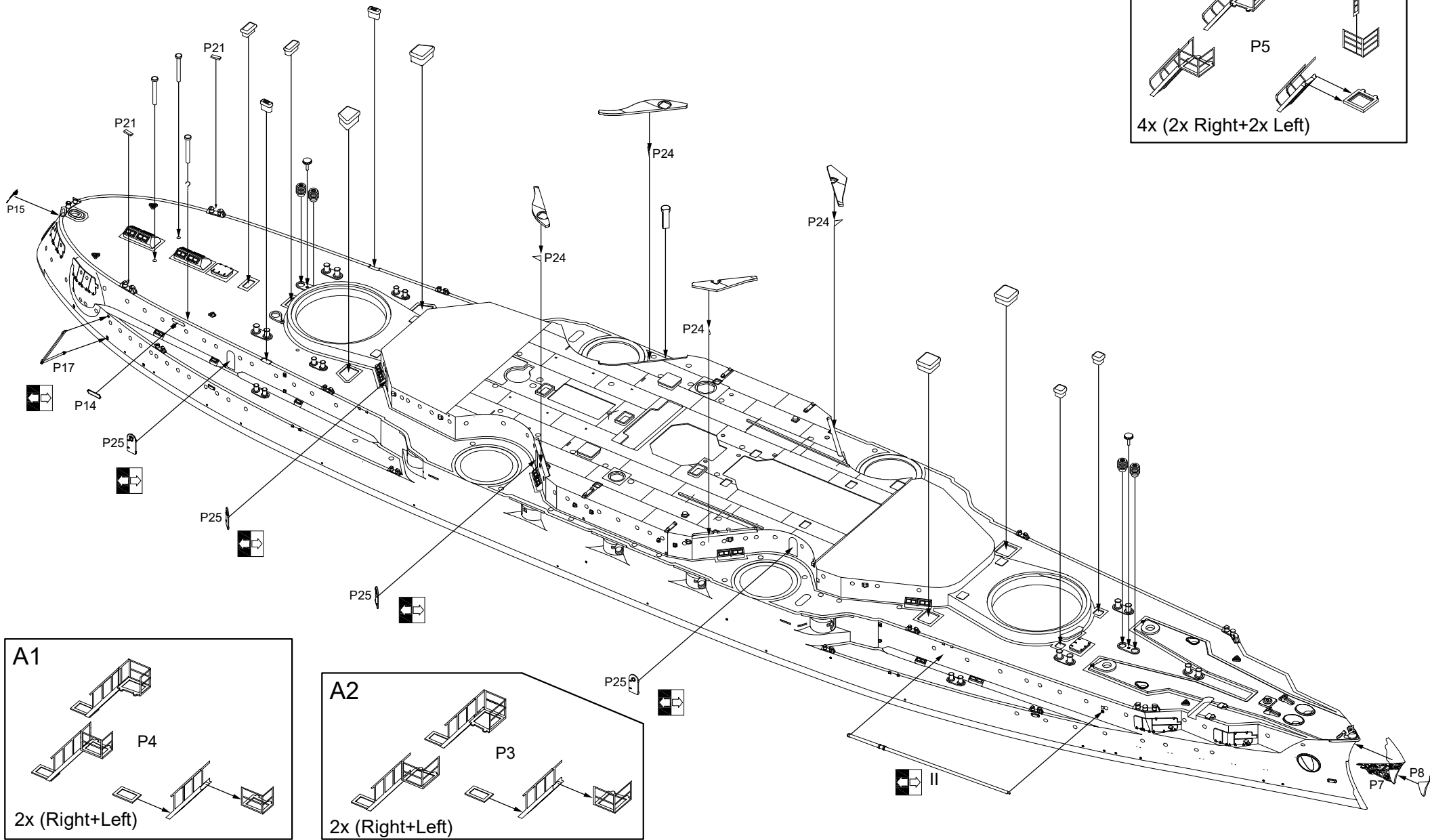
Armor:

Belt: 110 to 250 mm  
Turrets: 250 mm  
Deck: 40 mm

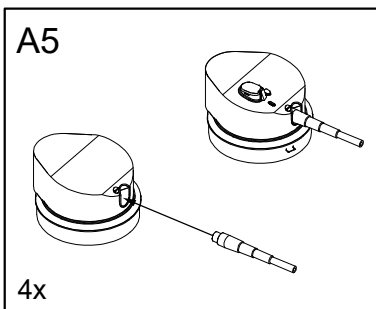
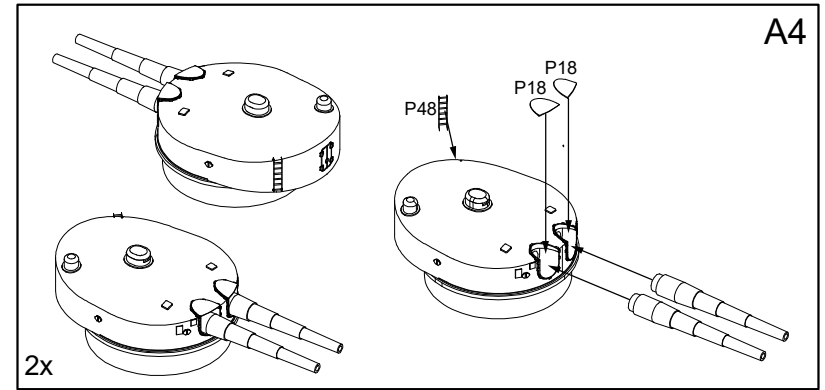
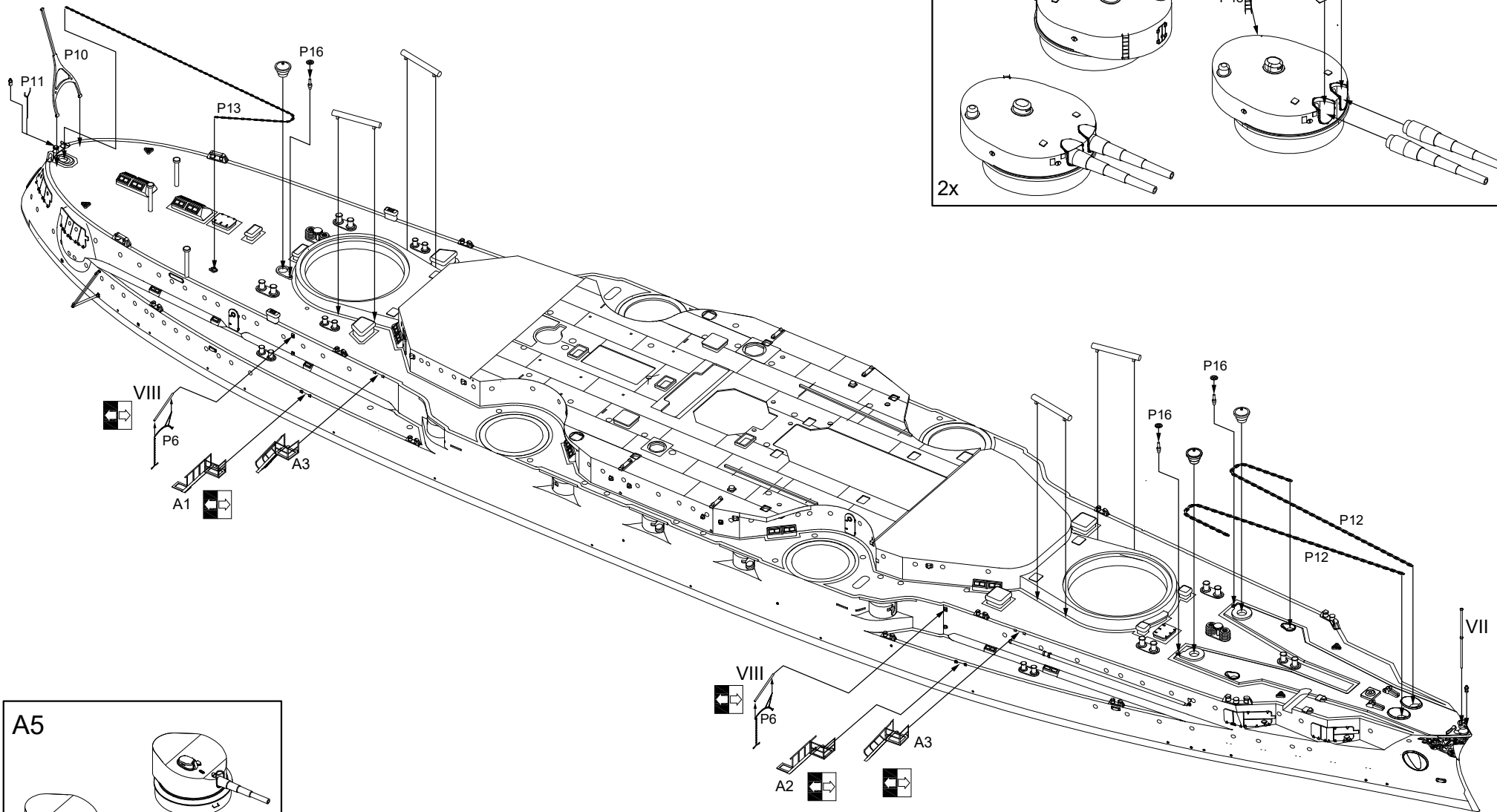


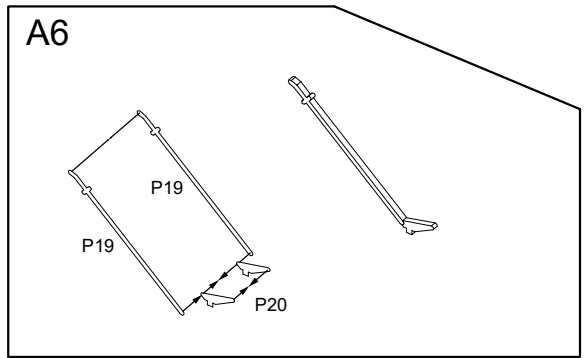
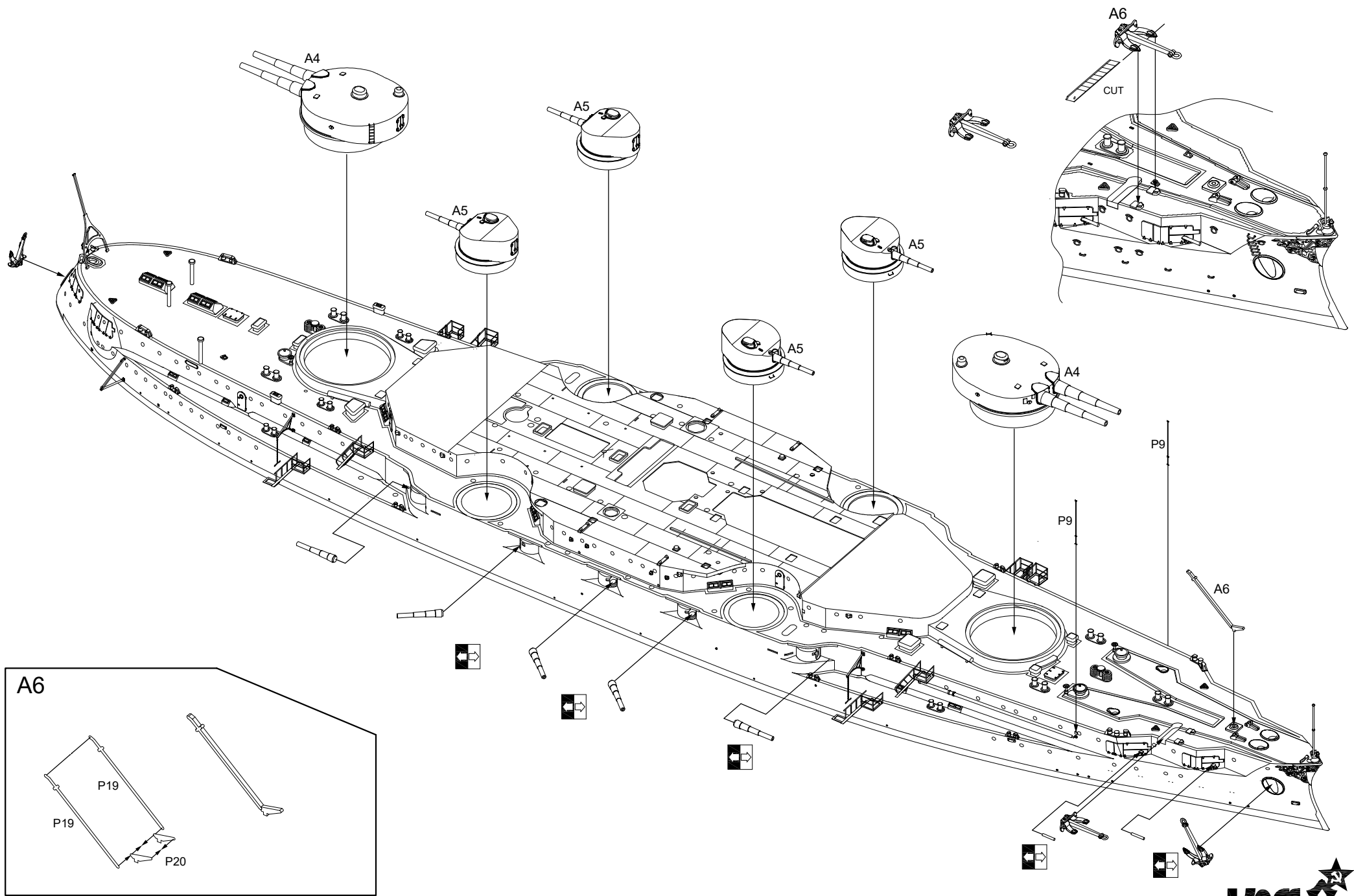


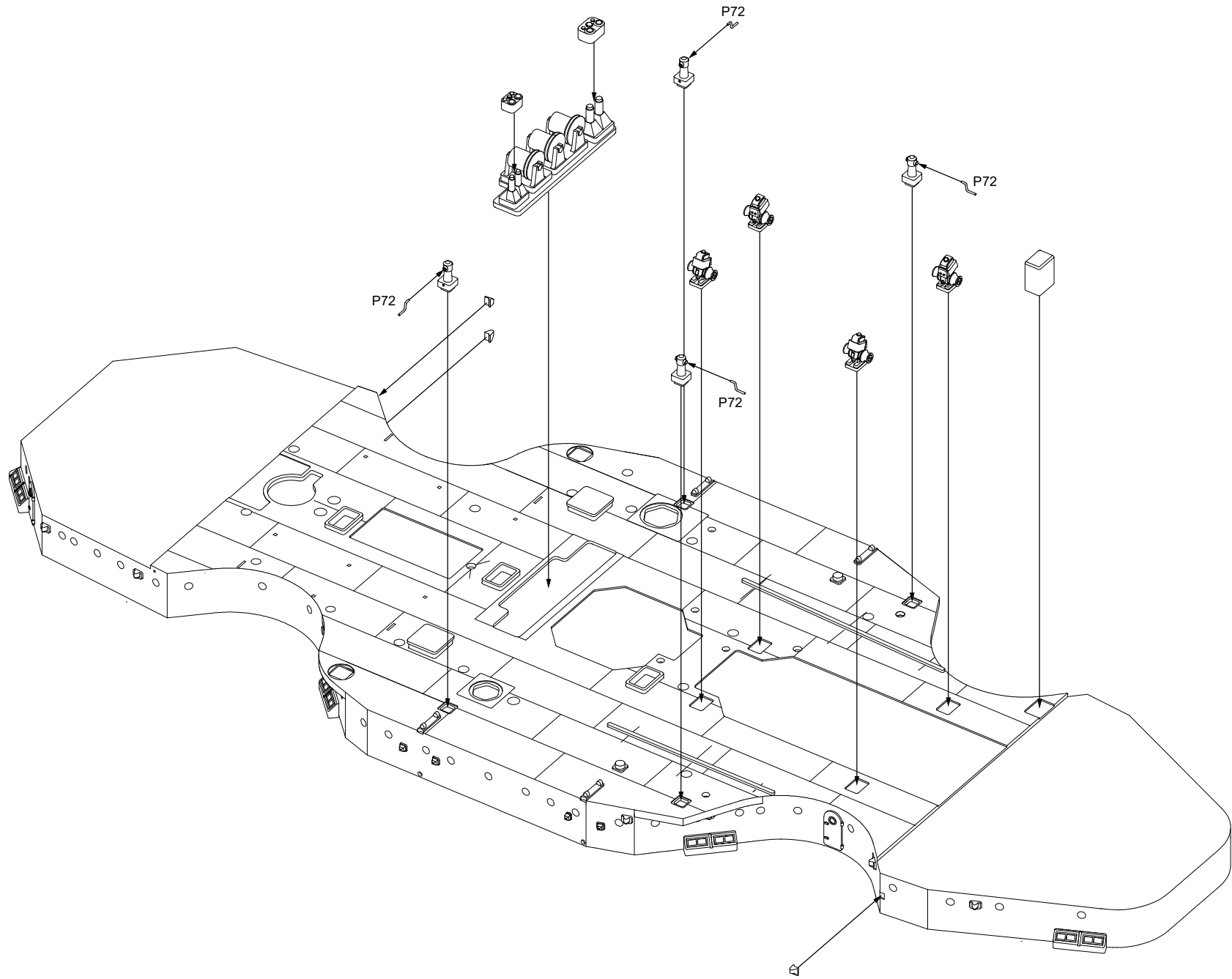


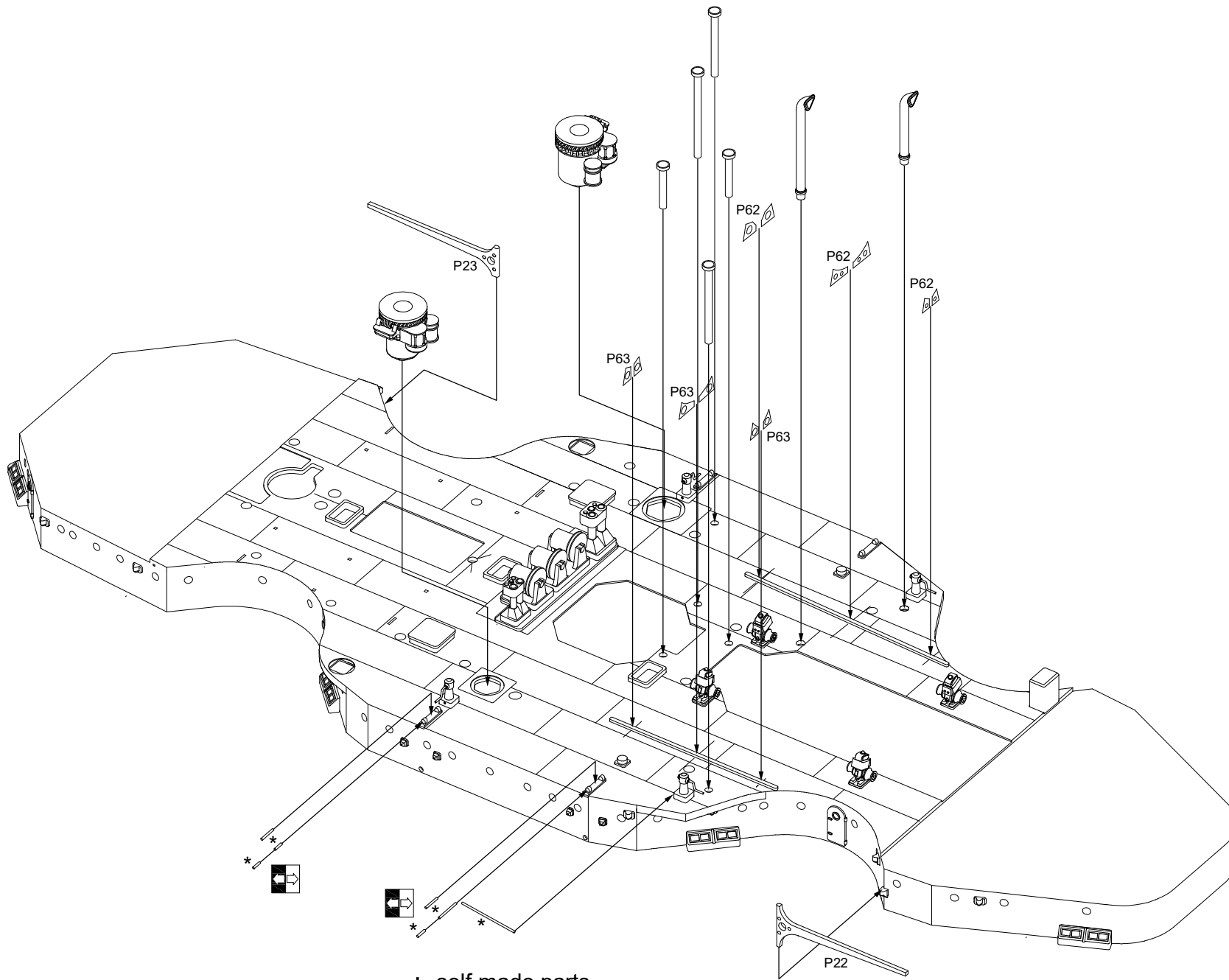


Please note that the assembly guide reflects the position of the parts when installed only, and not the exact order of the assembly. To download the assembly instructions in PDF (high resolution) please visit [www.combrig-models.com](http://www.combrig-models.com)



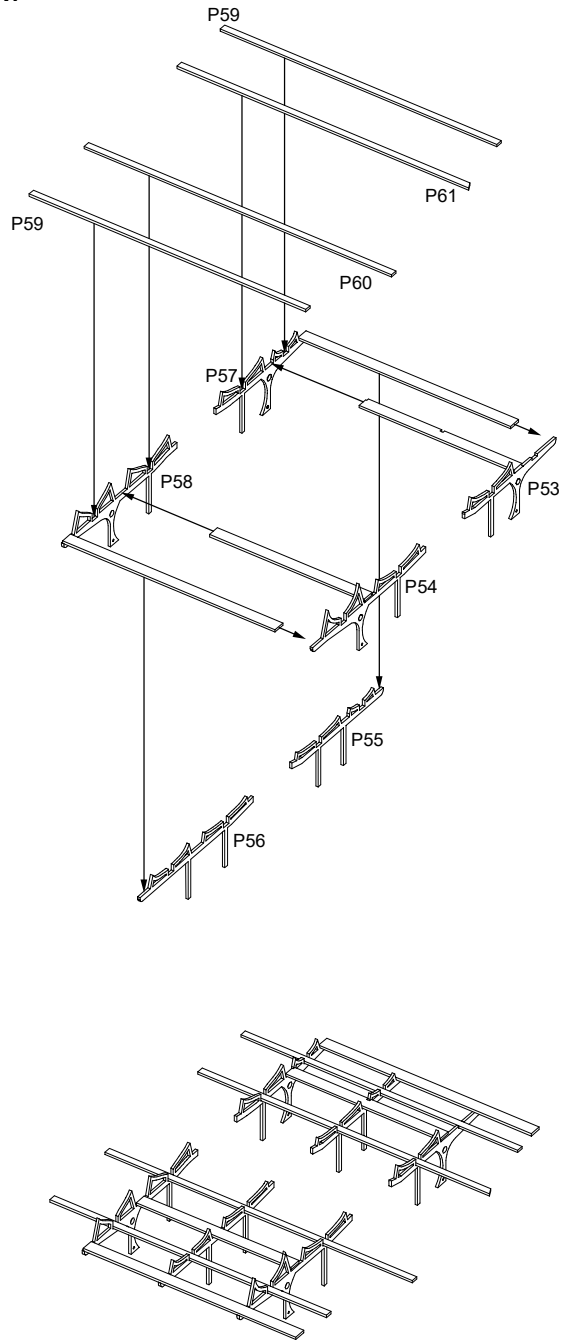




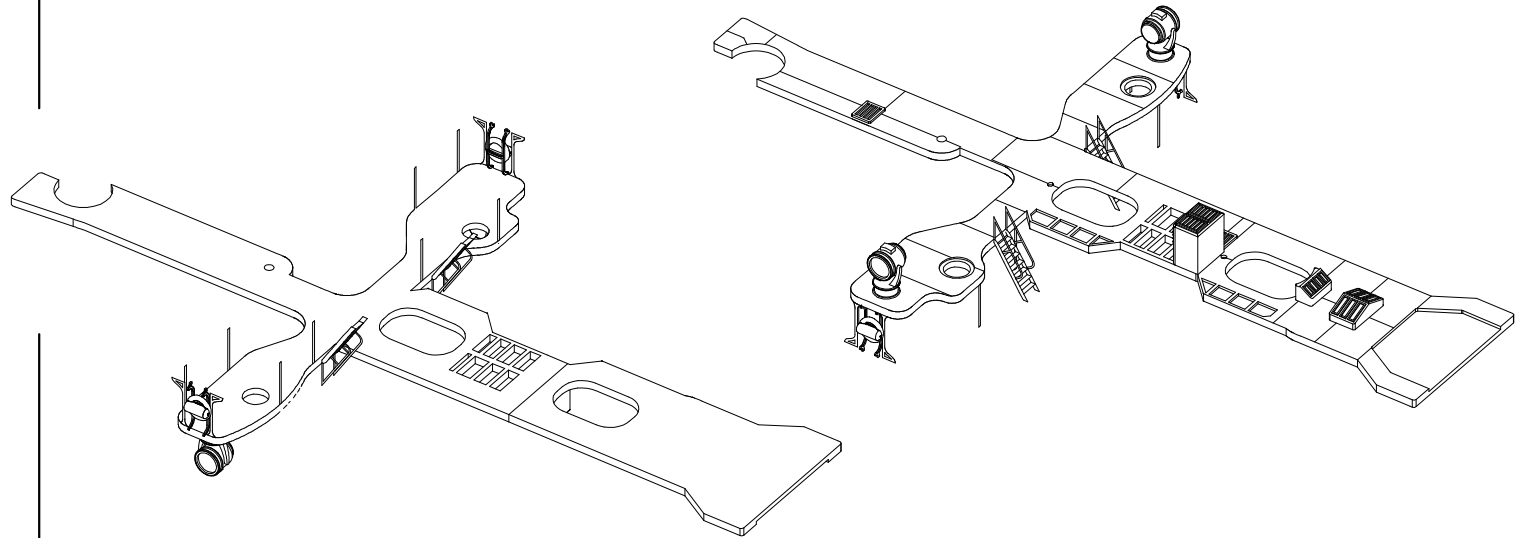




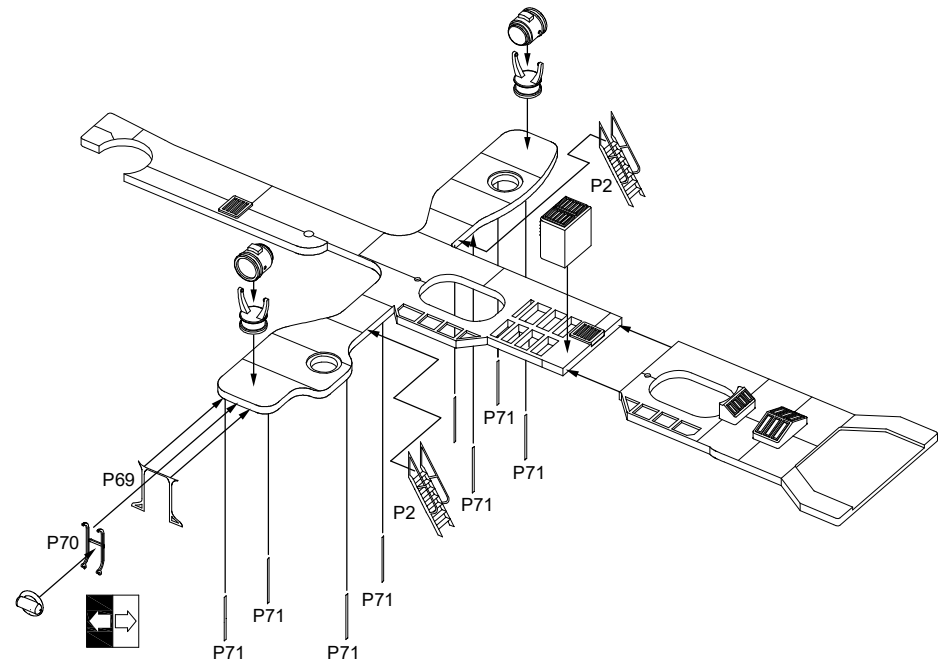
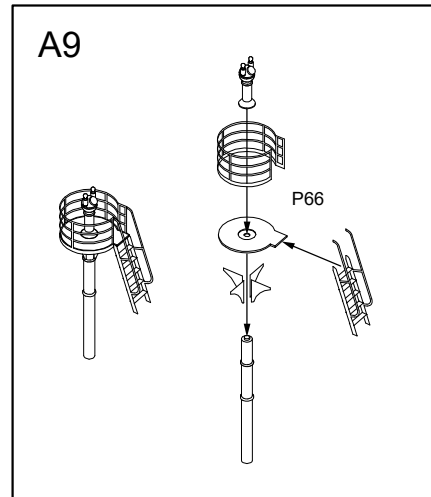
A7

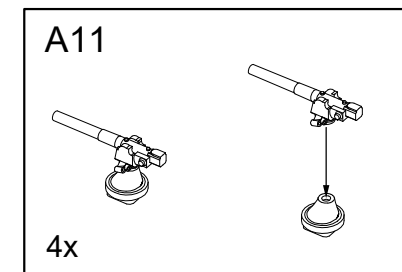
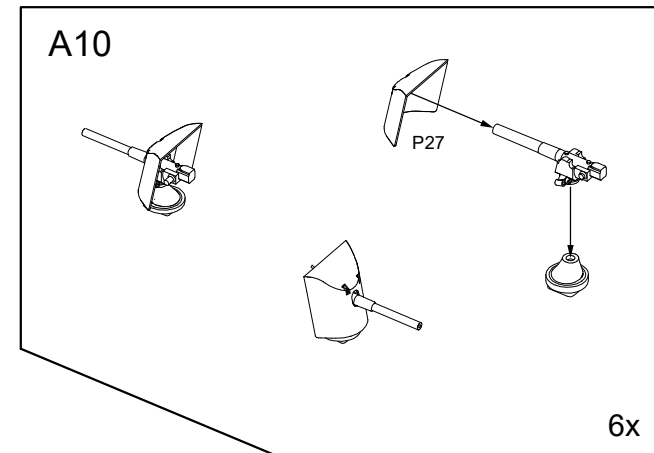
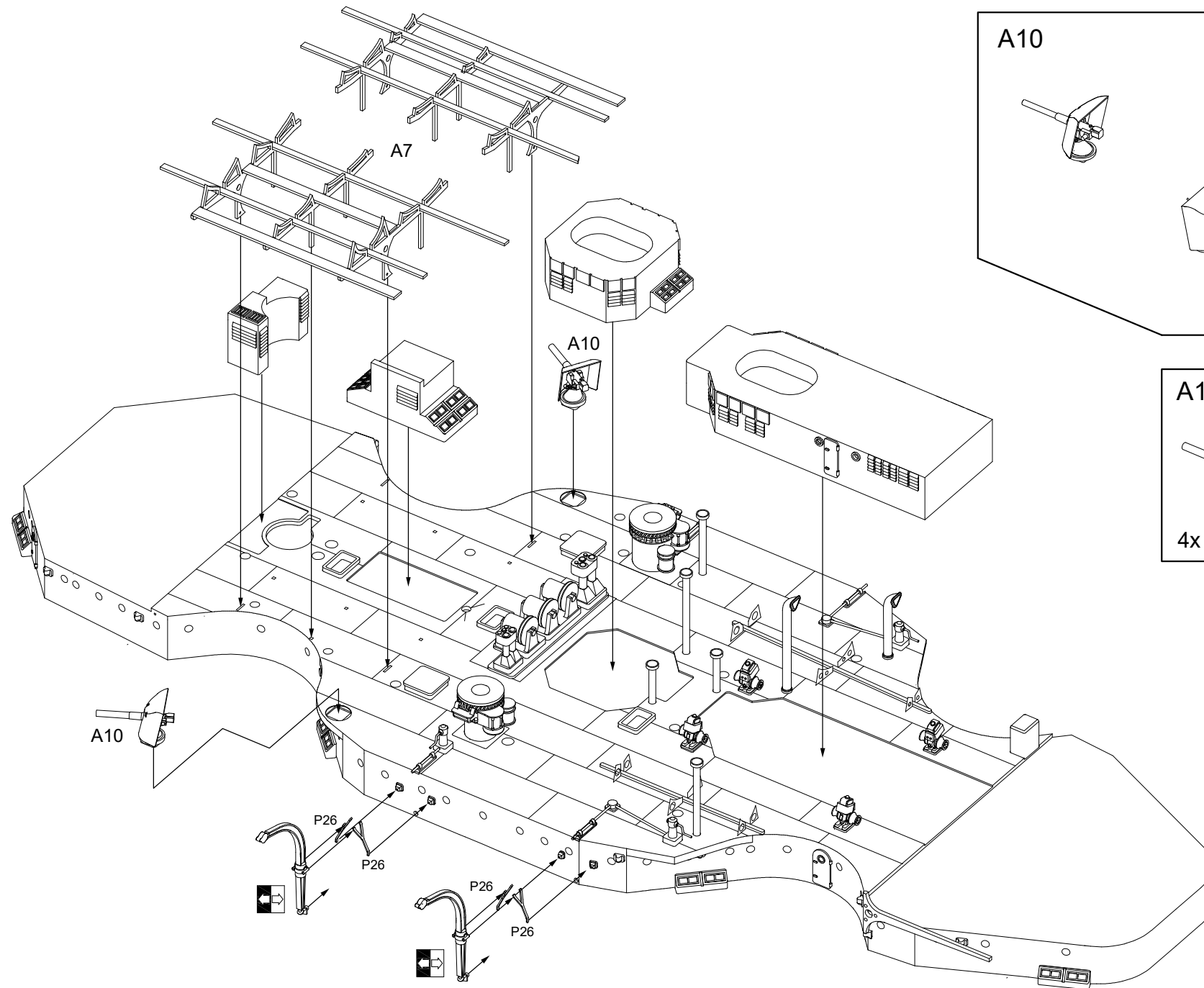


A8

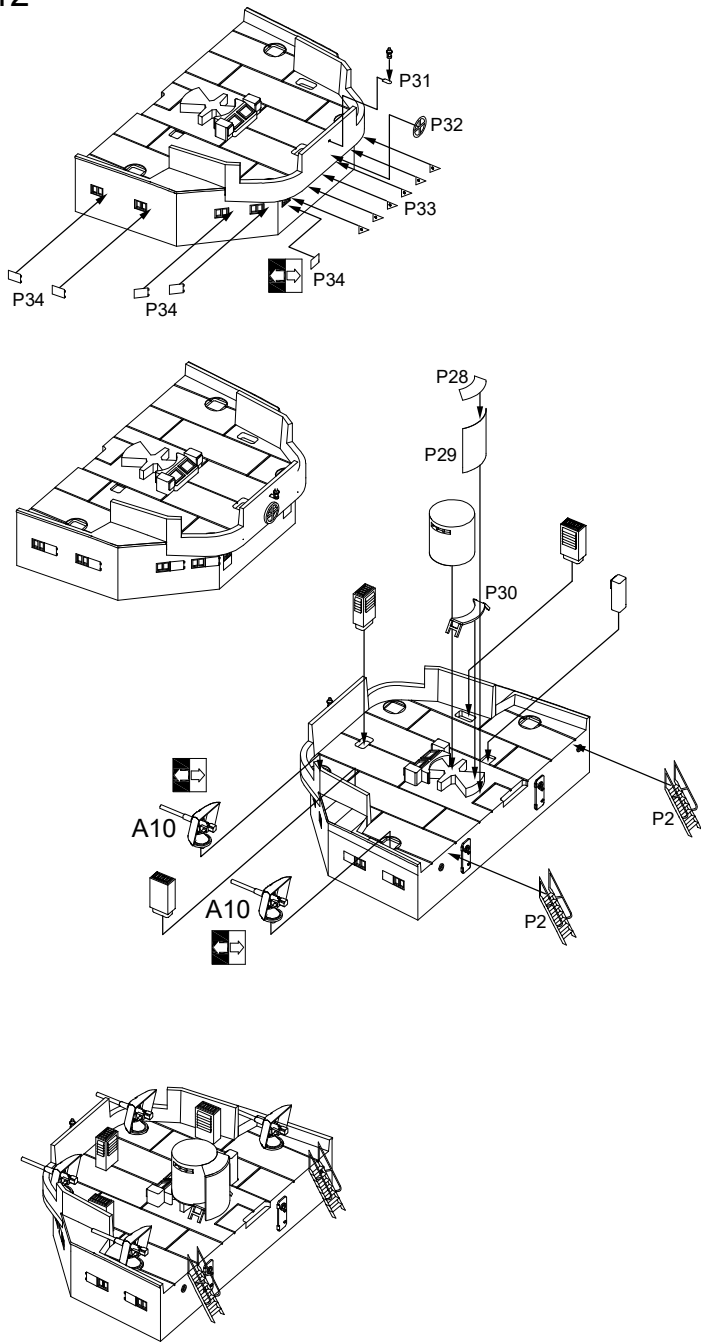


A9

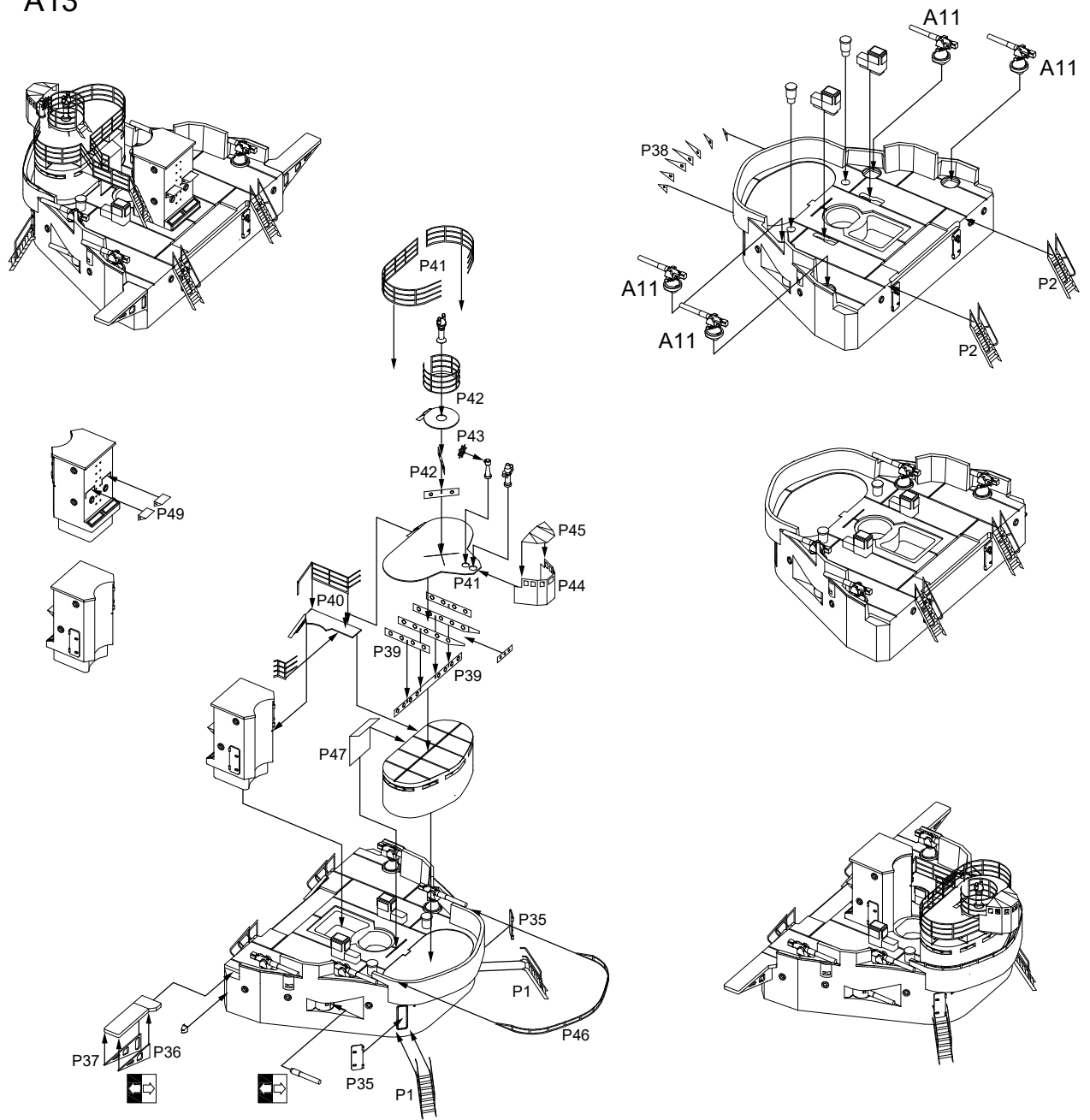


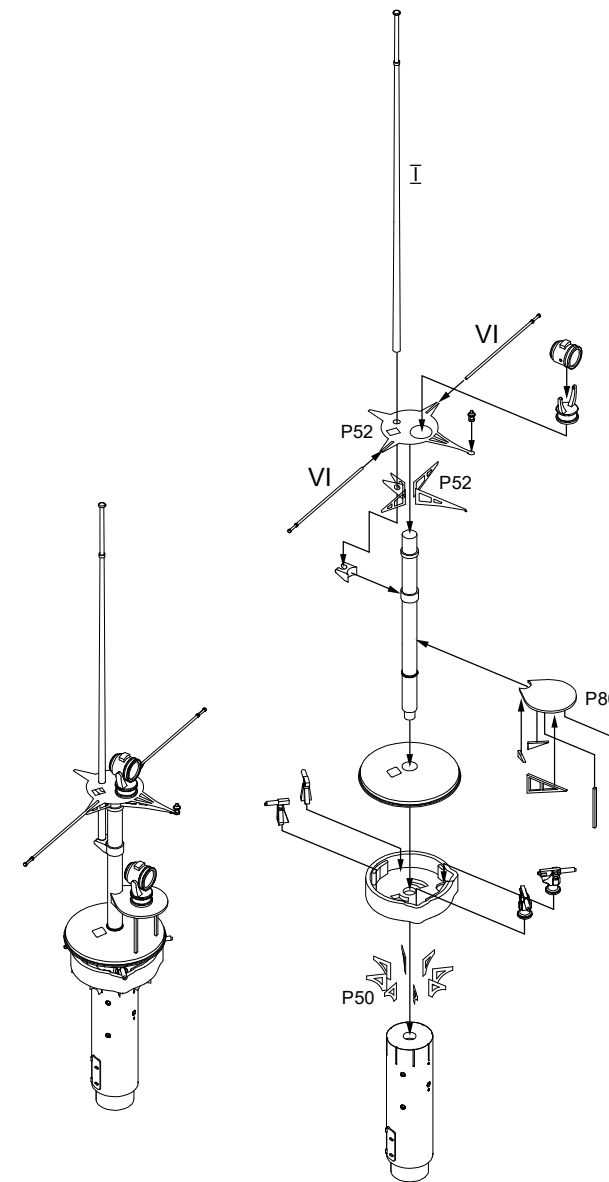
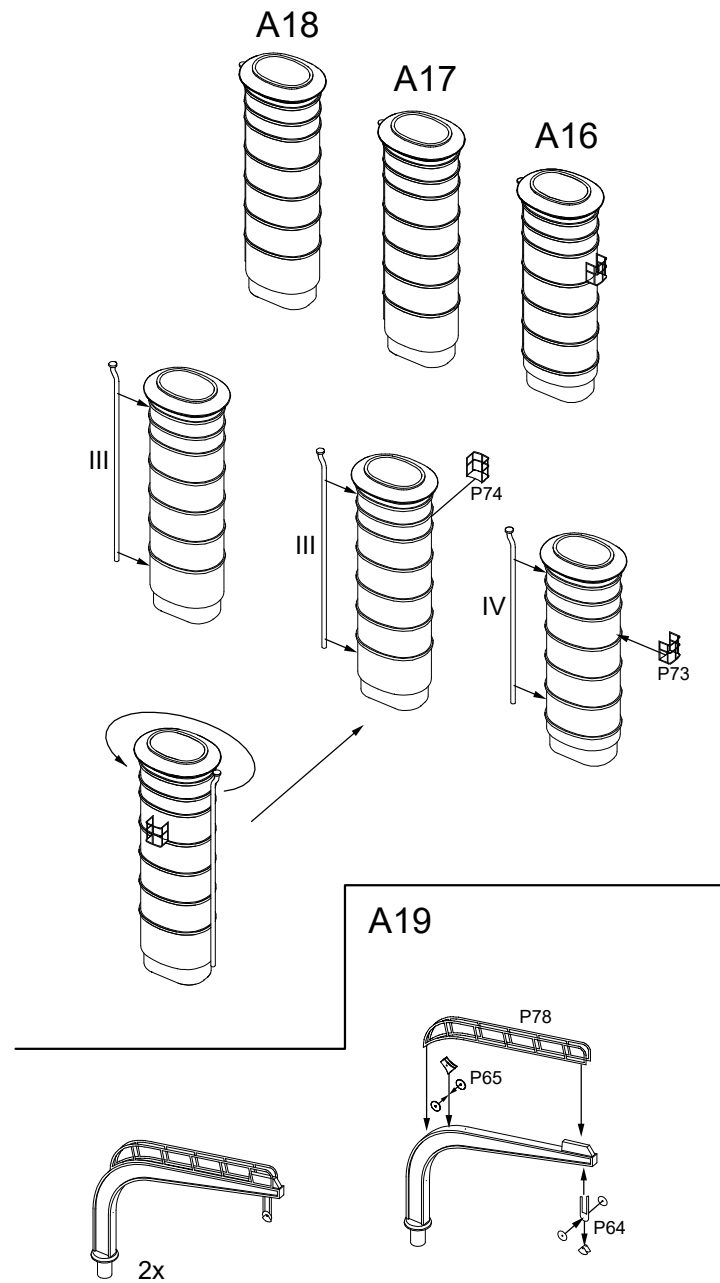
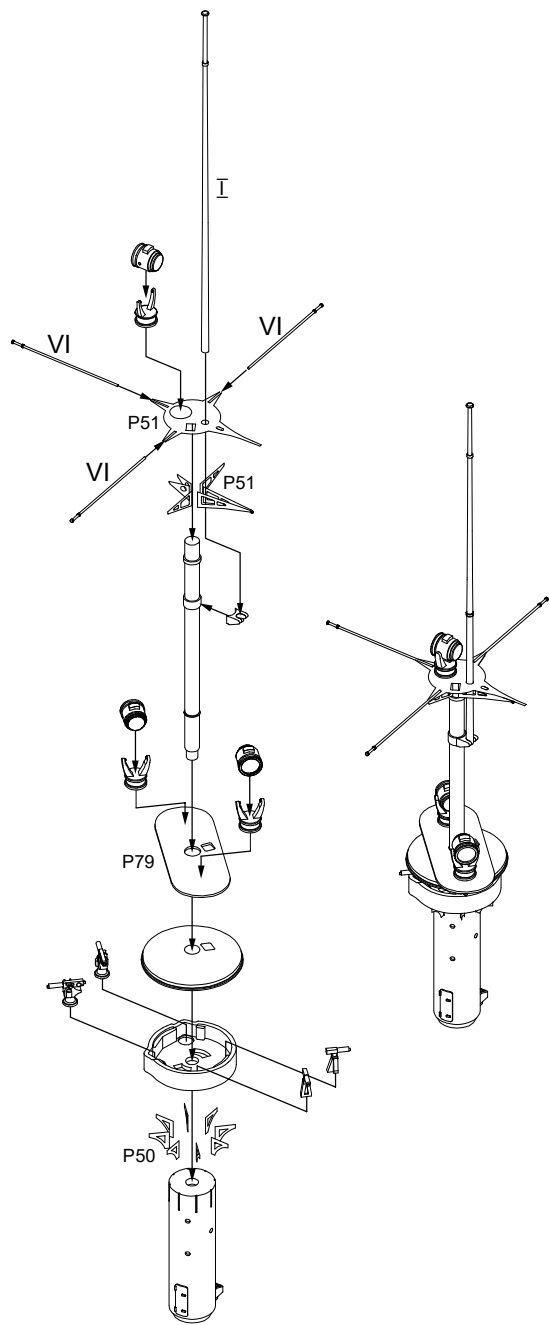


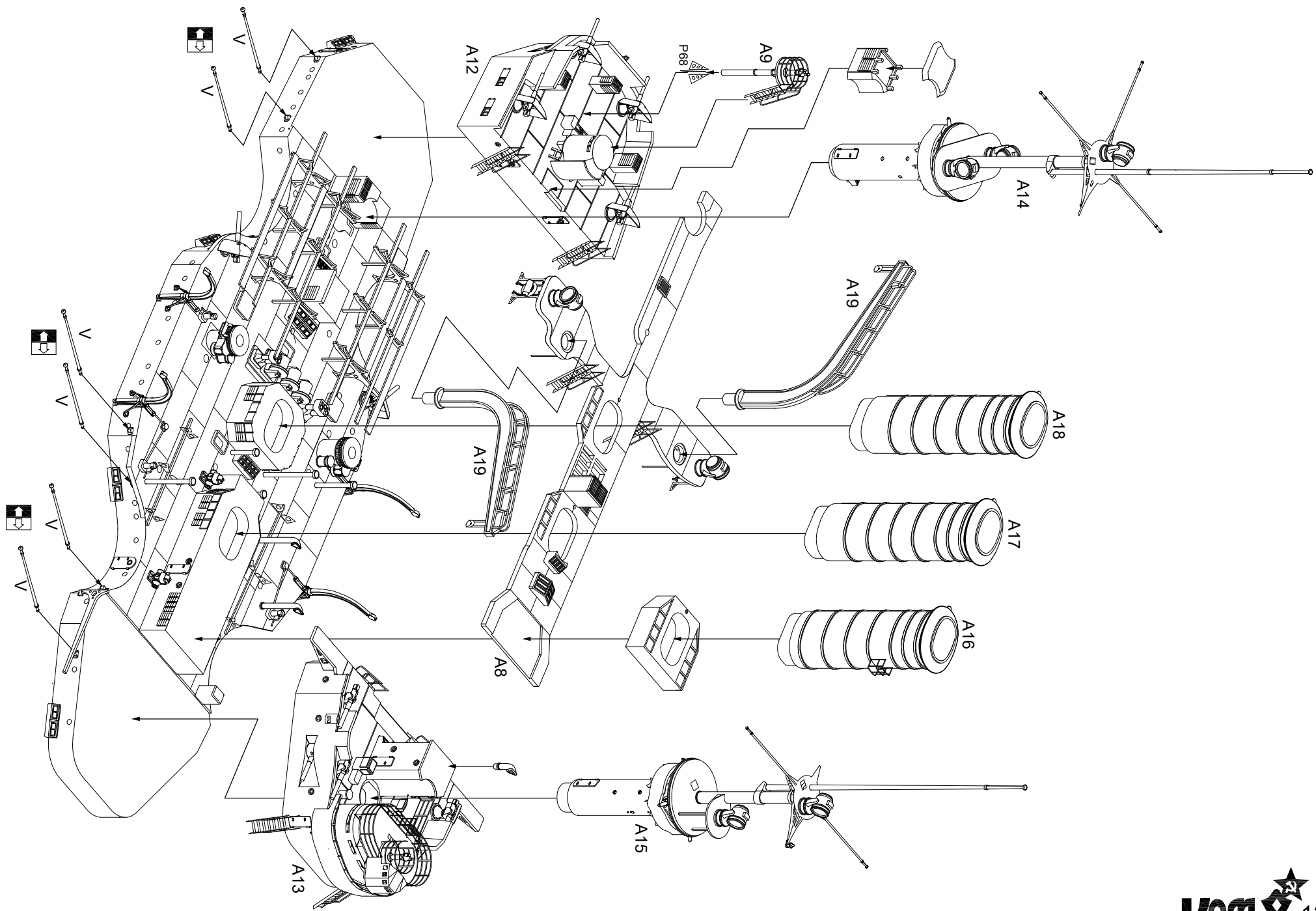
# A12



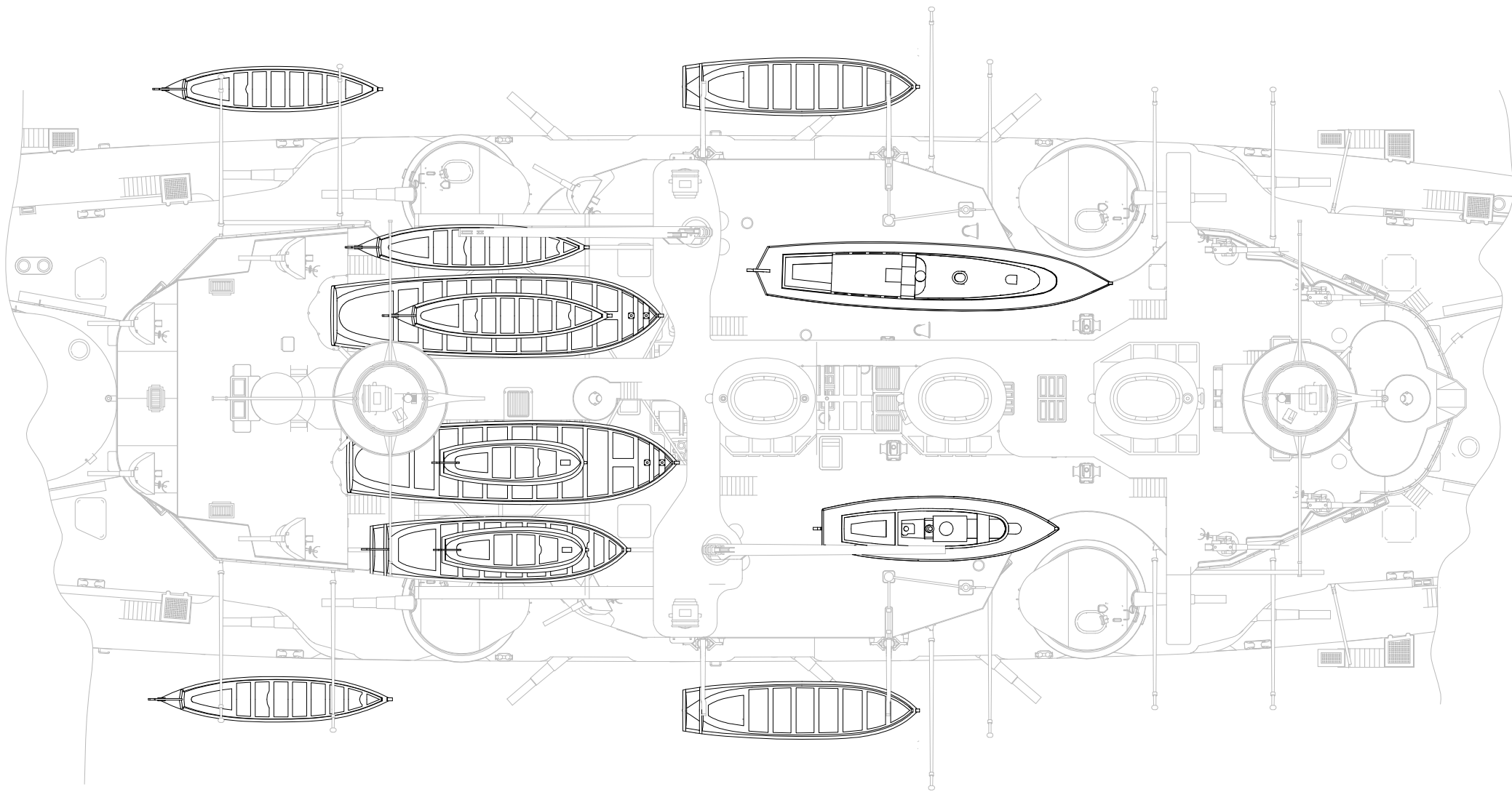
# A13







70518 For more info on Combrig kits see: [www.combrig-models.com](http://www.combrig-models.com) [www.steelnavy.net](http://www.steelnavy.net) [www.modelwarships.com](http://www.modelwarships.com)



Boats location.

70518 For more info on Combrig kits see: [www.combrig-models.com](http://www.combrig-models.com) [www.steelnavy.net](http://www.steelnavy.net) [www.modelwarships.com](http://www.modelwarships.com)