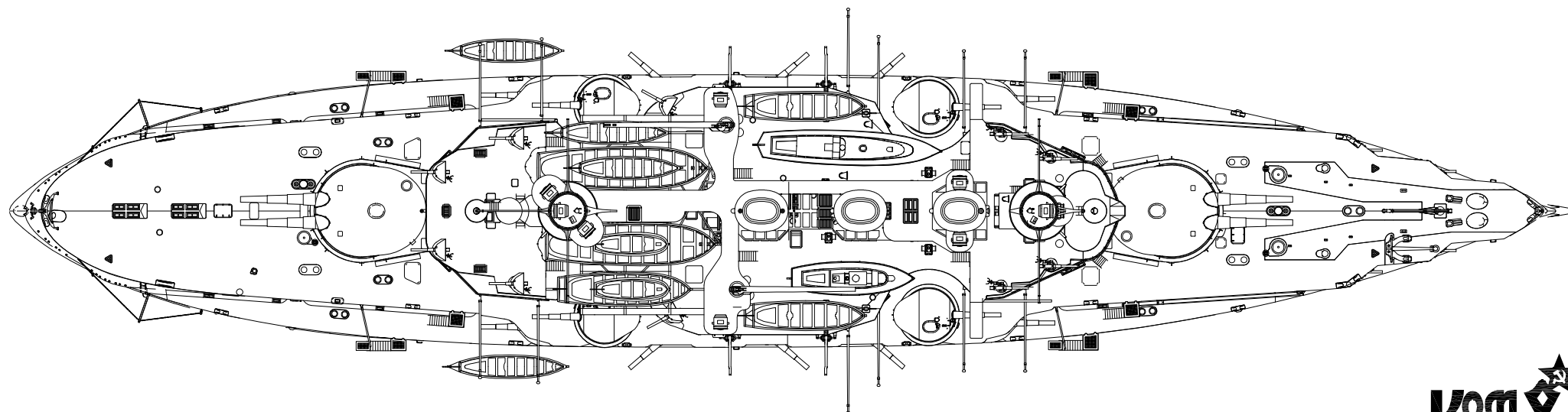
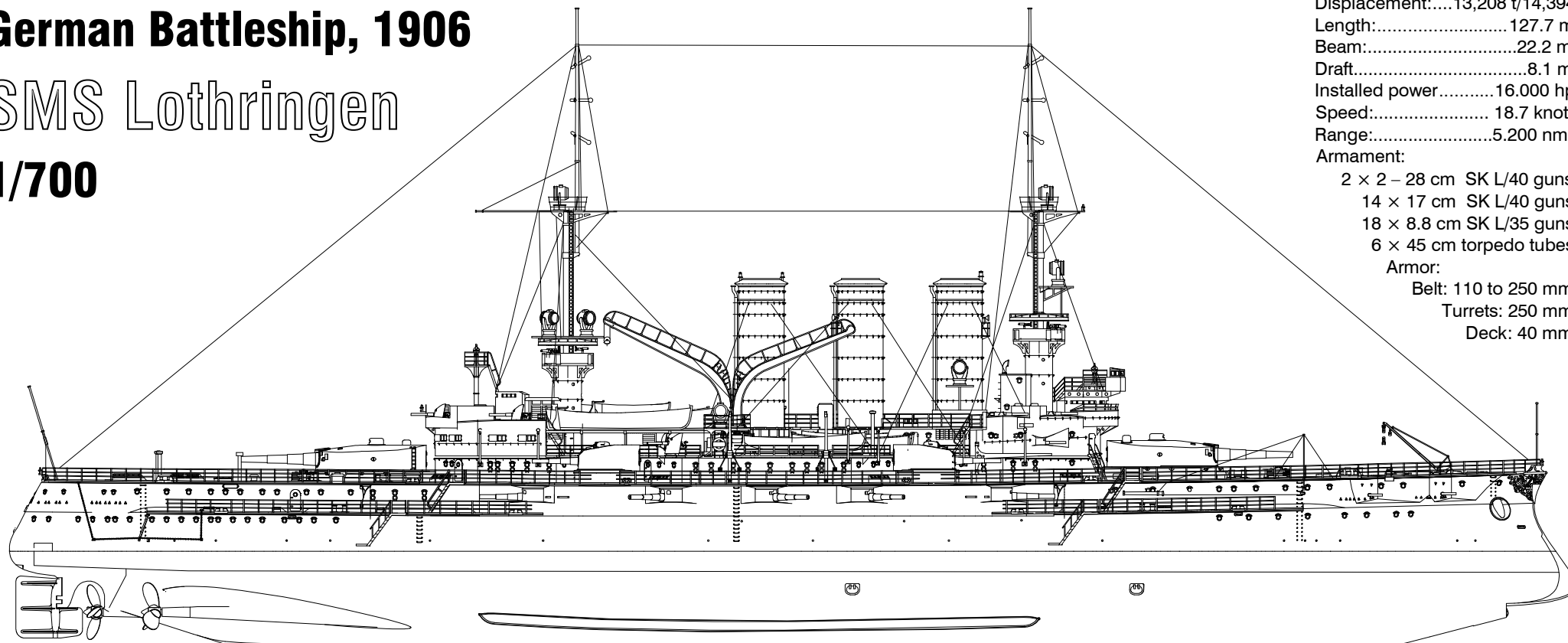


German Battleship, 1906

SMS Lothringen

1/700

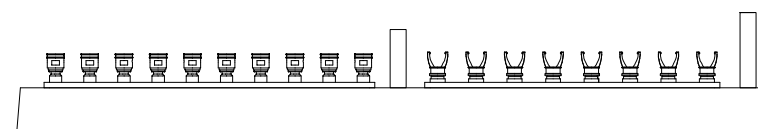
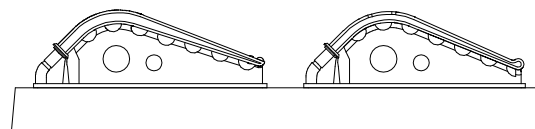
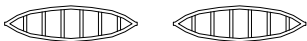
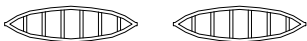
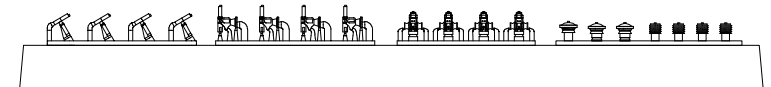
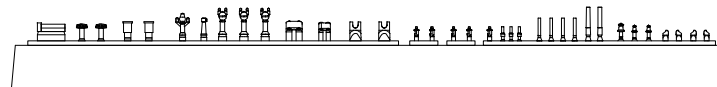
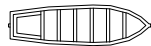
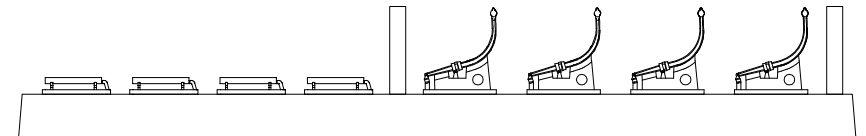
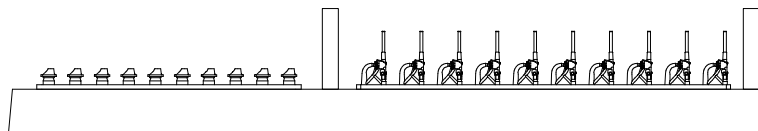
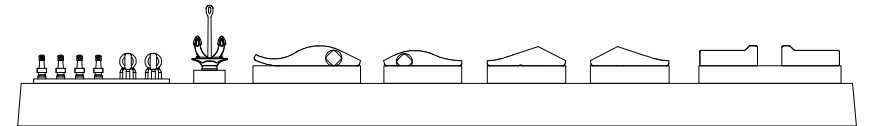
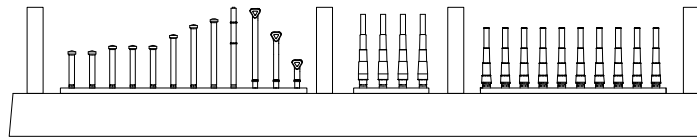
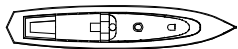
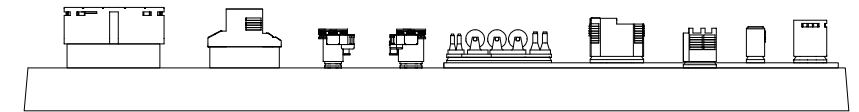
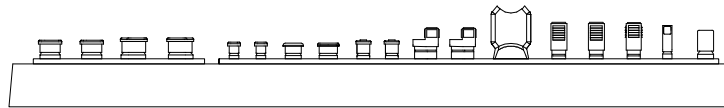
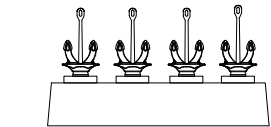
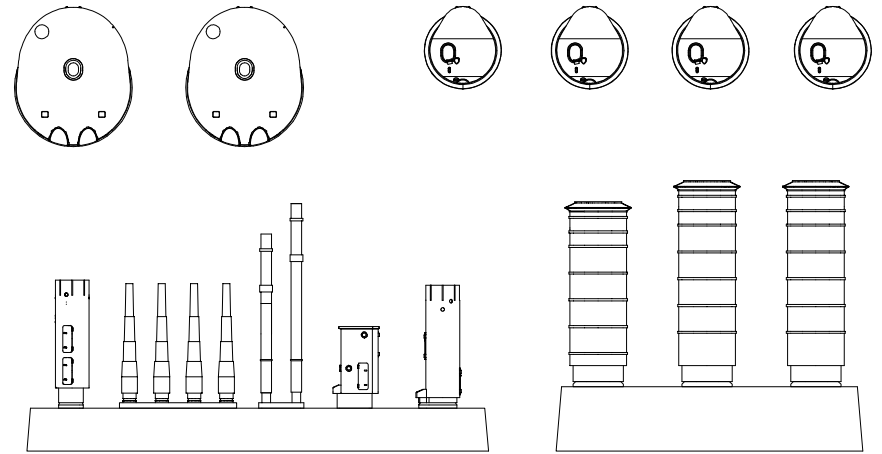
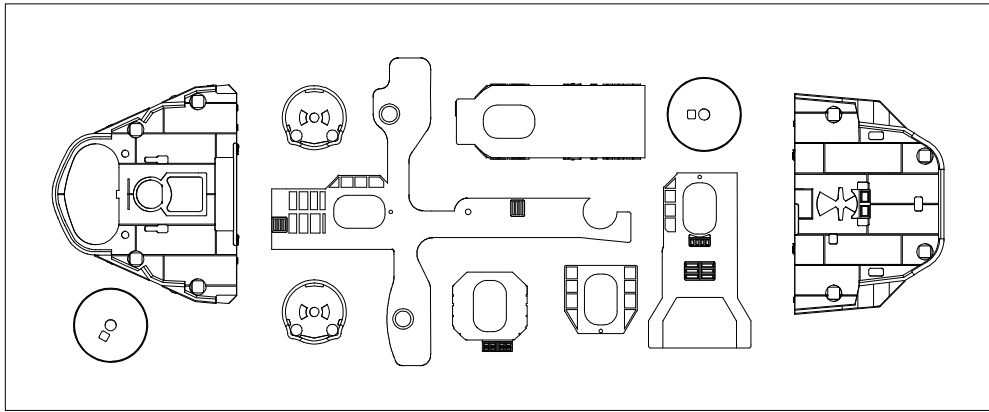


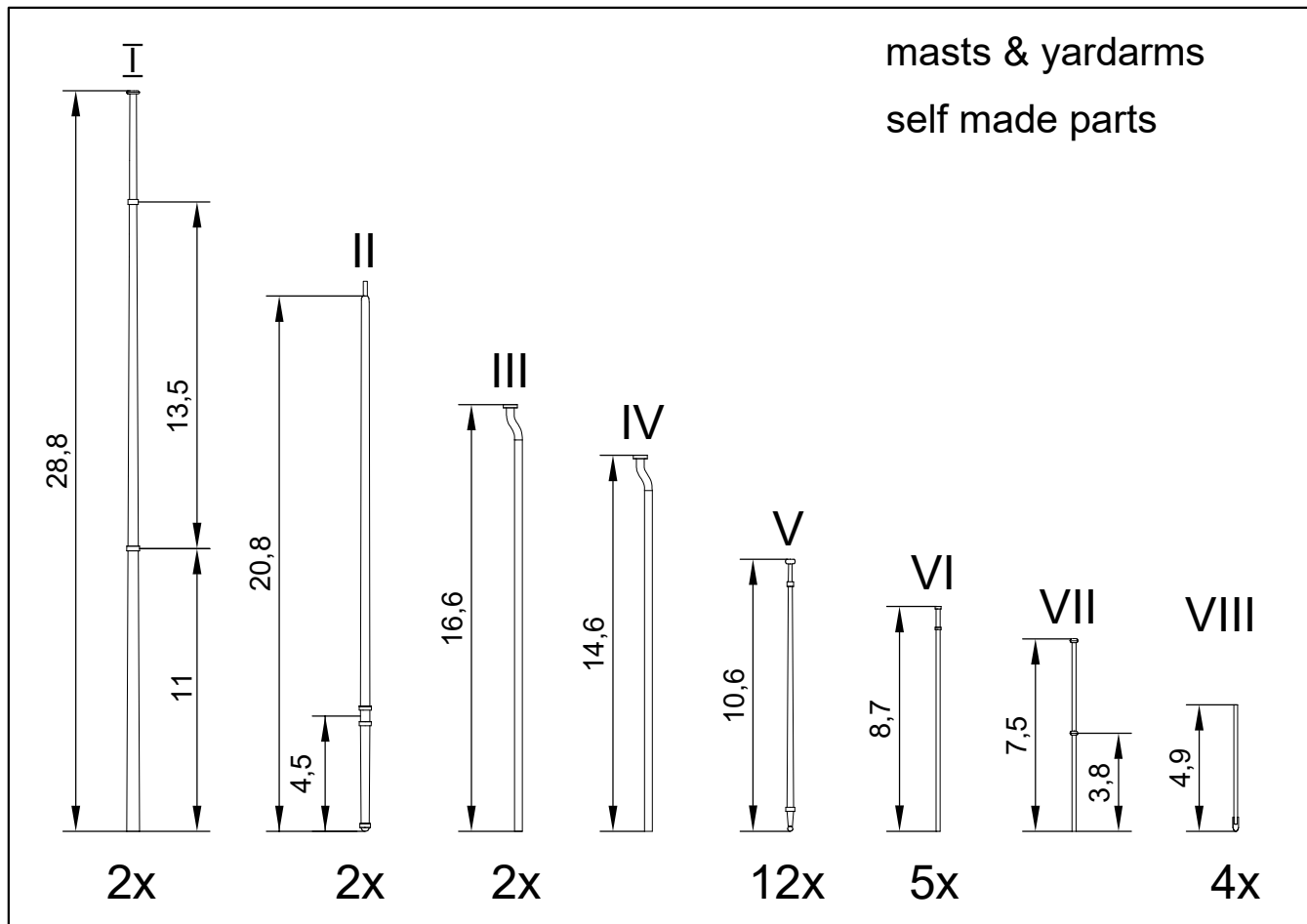
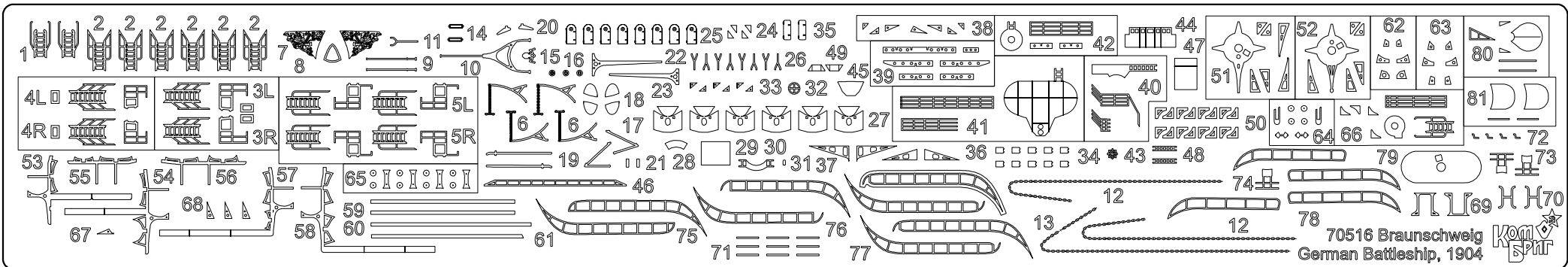
Displacement:.....13,208 t/14,394
Length:.....127.7 m
Beam:.....22.2 m
Draft:.....8.1 m
Installed power.....16.000 hp
Speed:.....18.7 knots
Range:.....5.200 nmi
Armament:

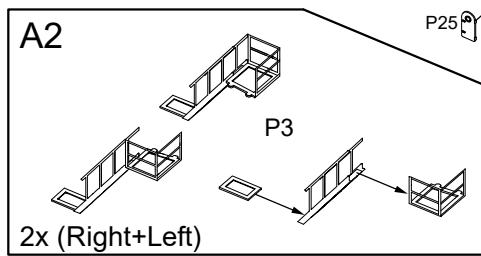
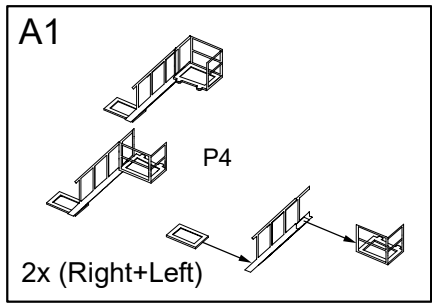
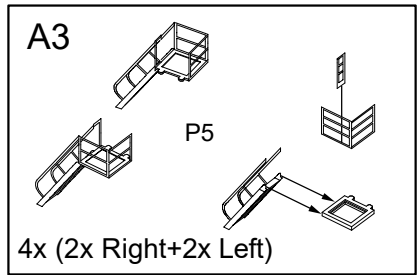
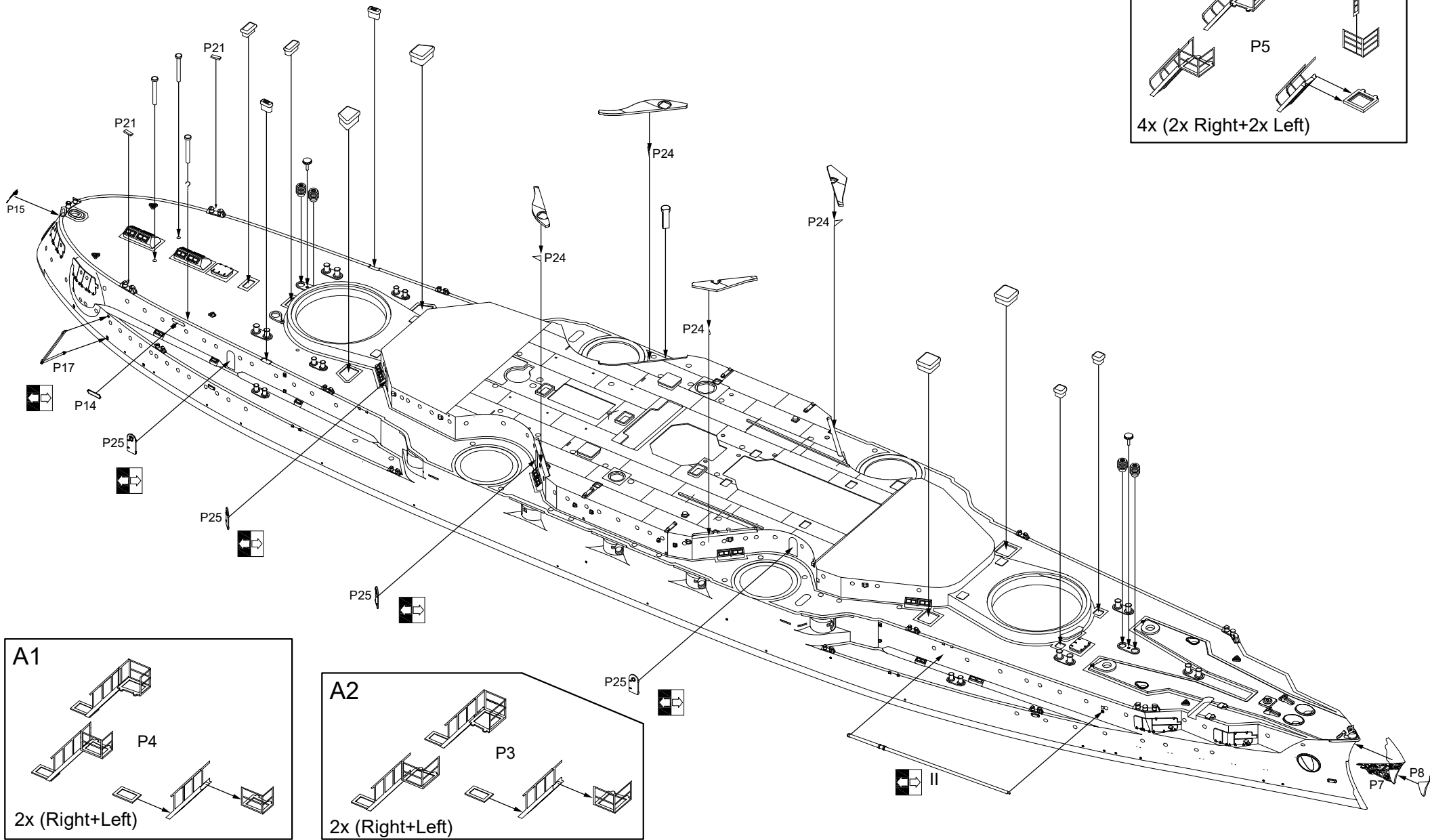
- 2 × 2 – 28 cm SK L/40 guns
- 14 × 17 cm SK L/40 guns
- 18 × 8.8 cm SK L/35 guns
- 6 × 45 cm torpedo tubes


Armor:

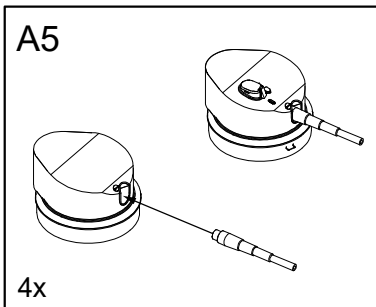
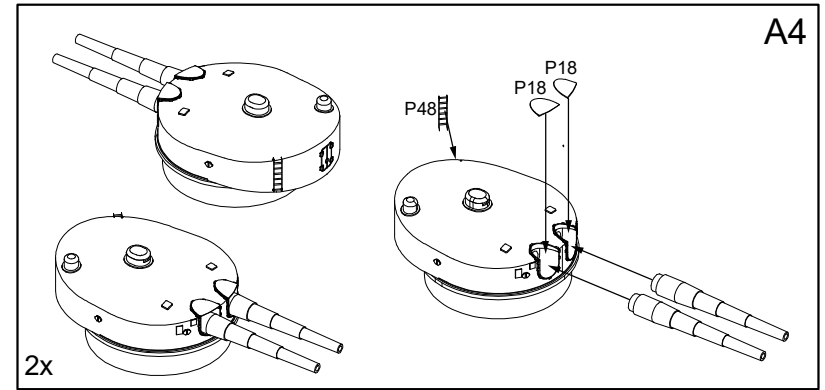
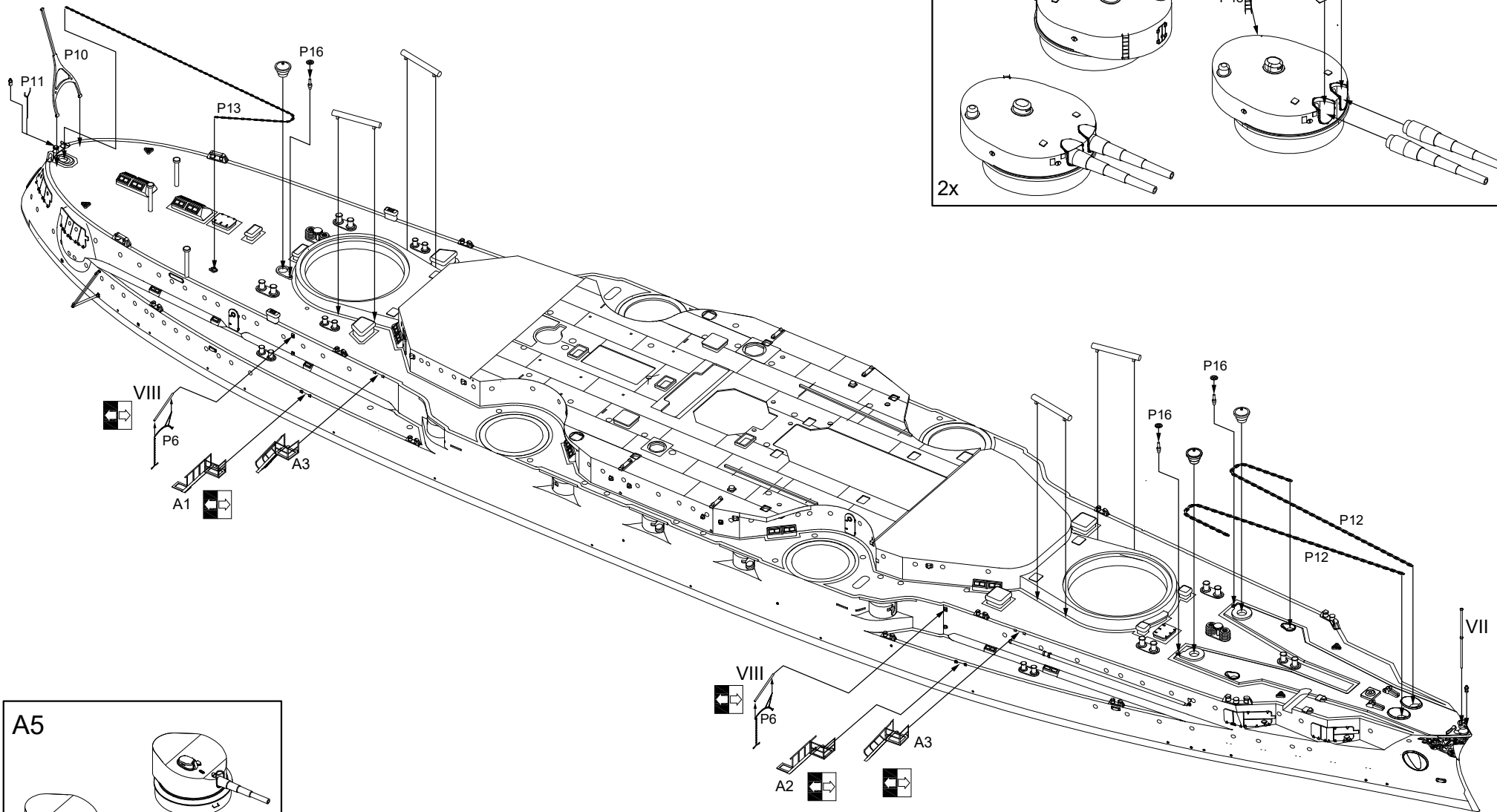
- Belt: 110 to 250 mm
- Turrets: 250 mm
- Deck: 40 mm

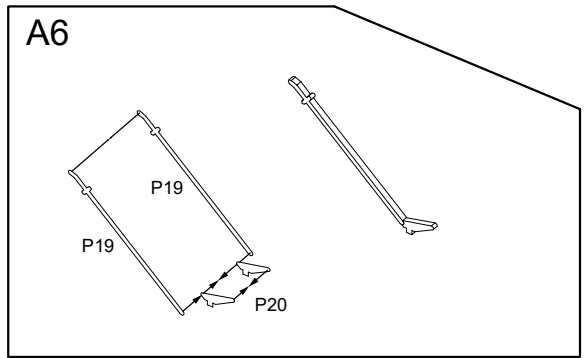
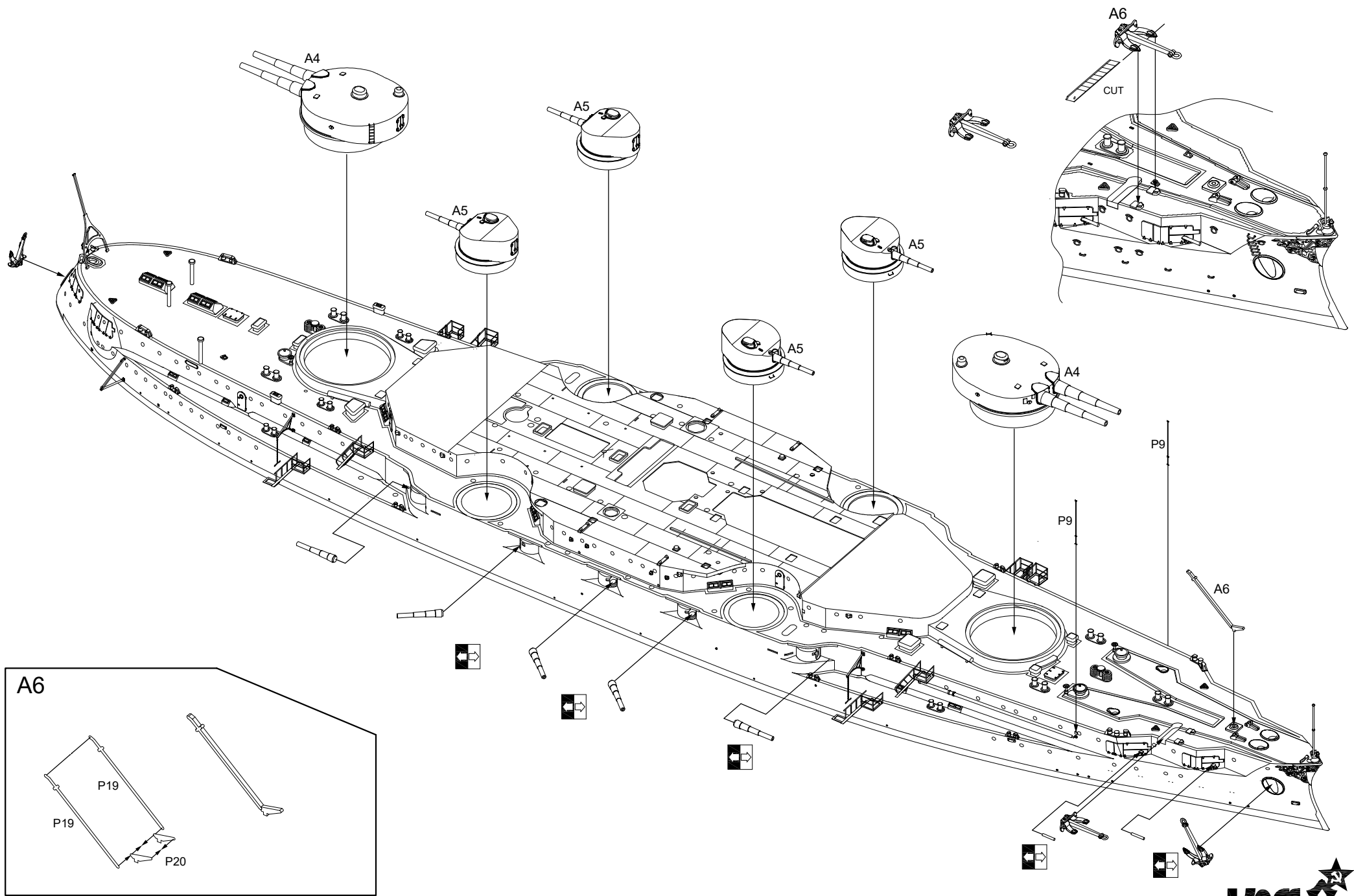


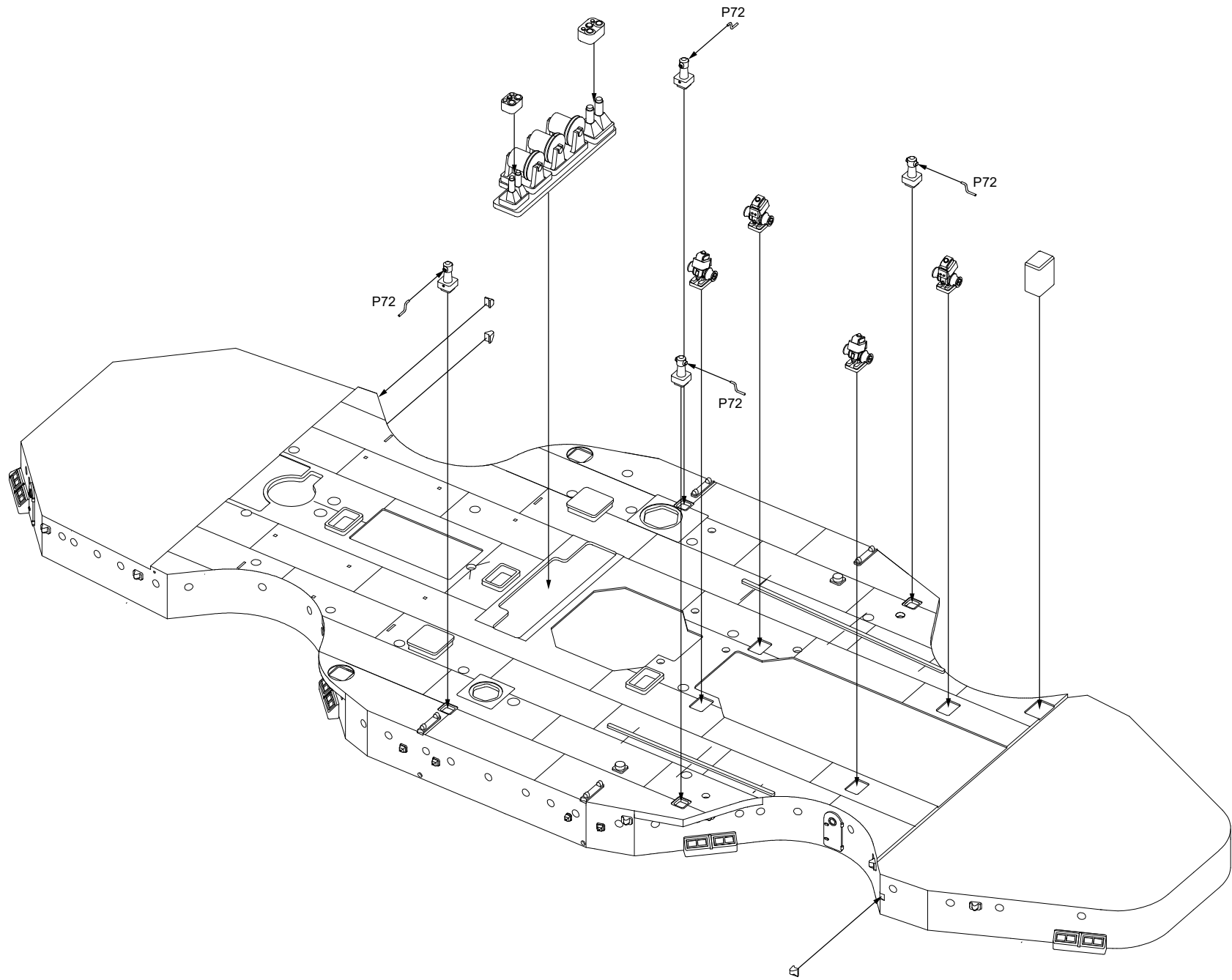


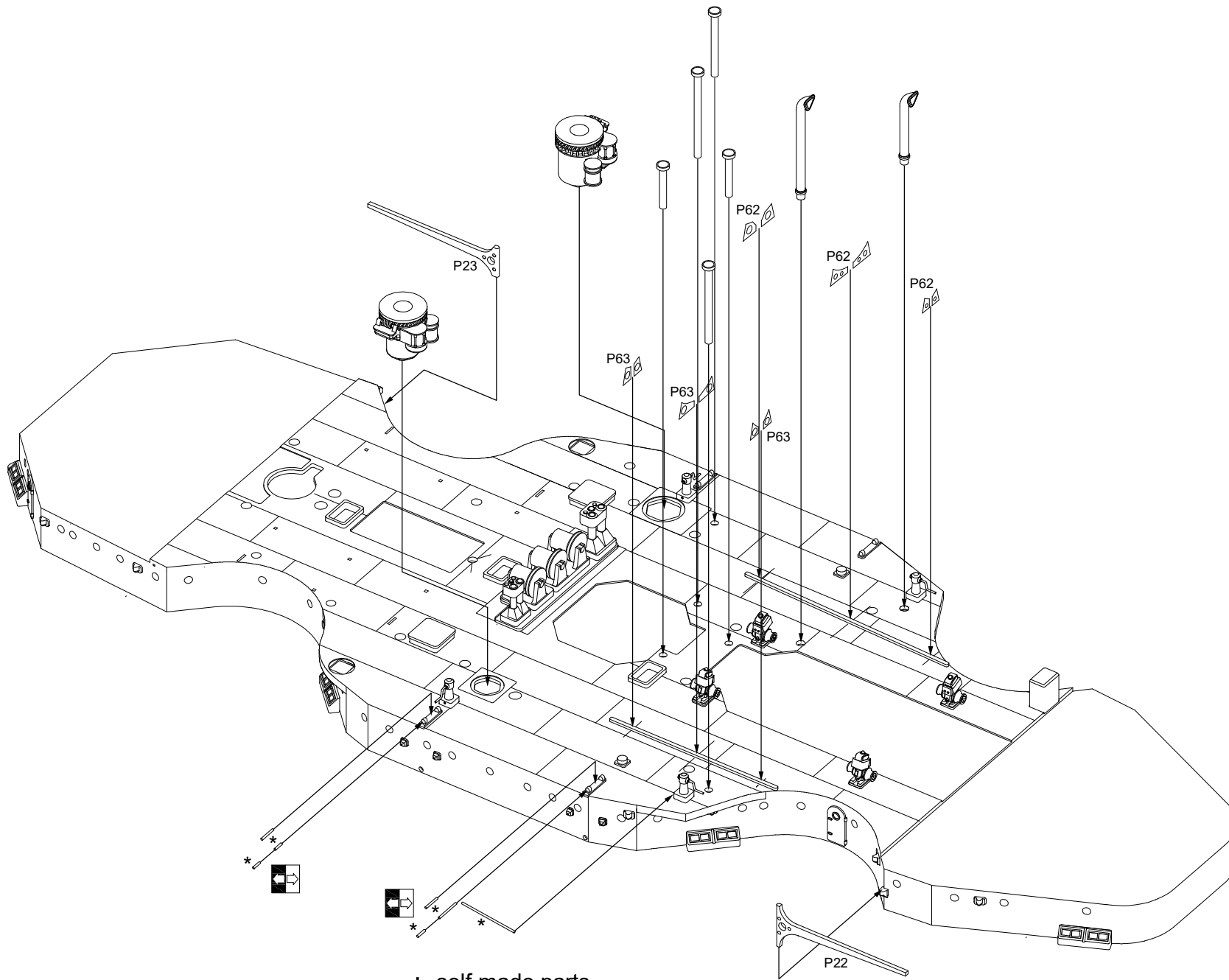


 Please note that the assembly guide reflects the position of the parts when installed only, and not the exact order of the assembly. To download the assembly instructions in PDF (high resolution) please visit www.combrig-models.com

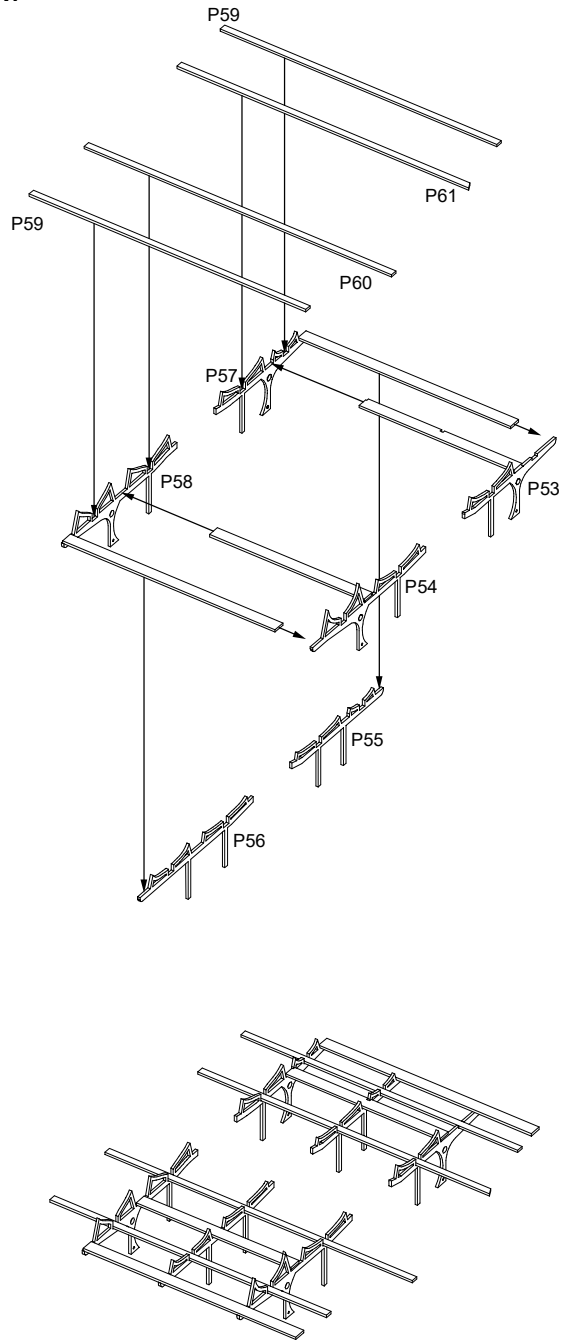




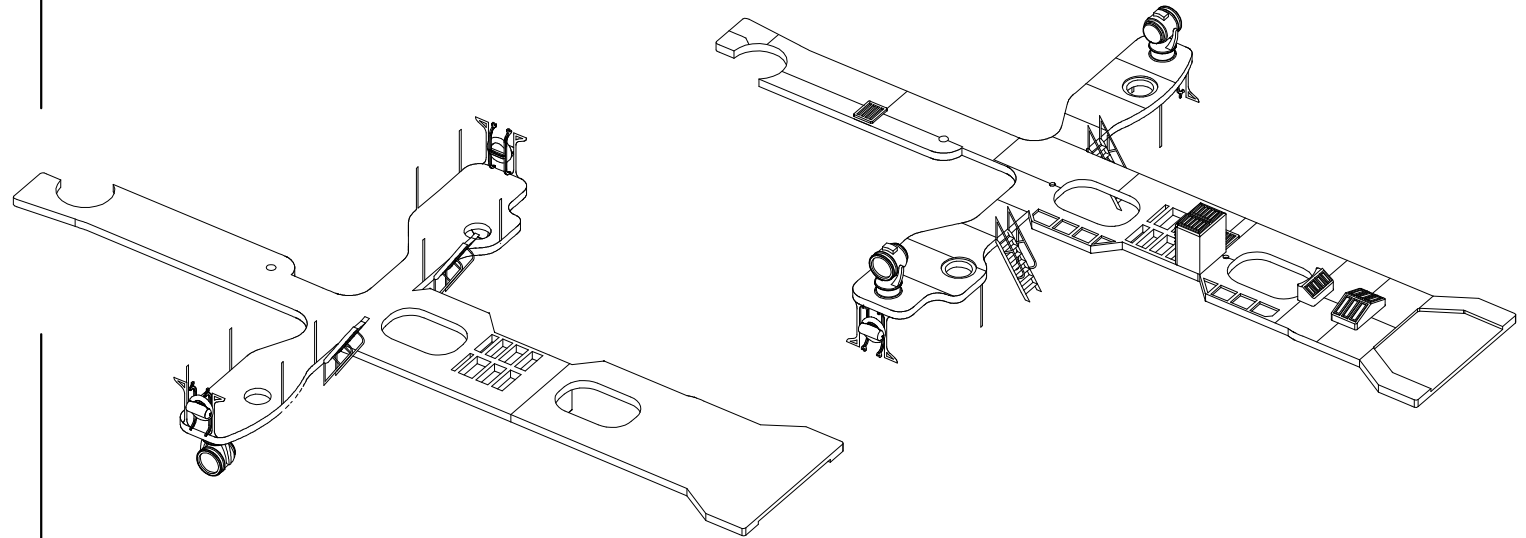




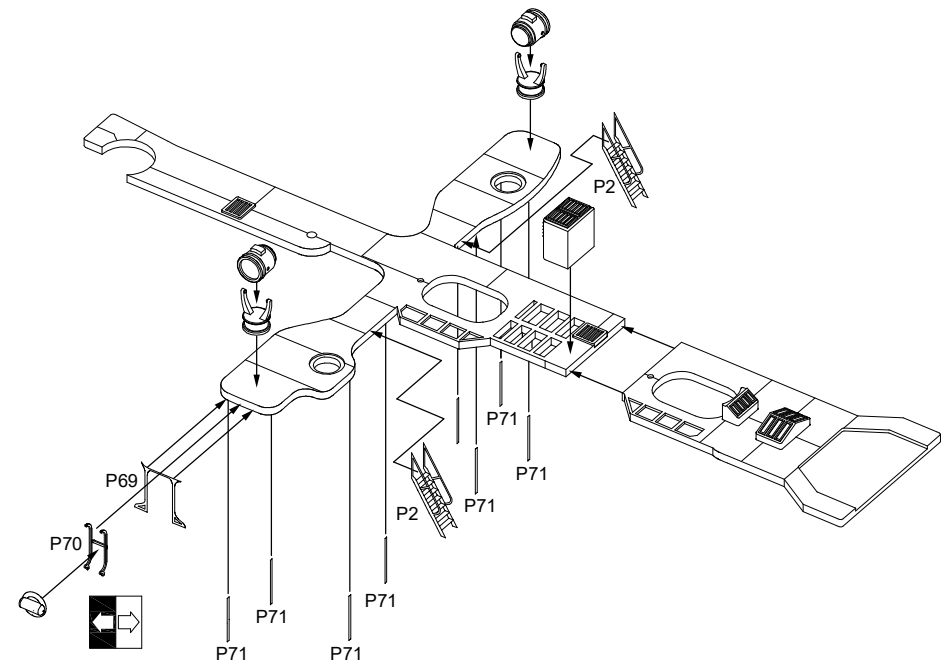
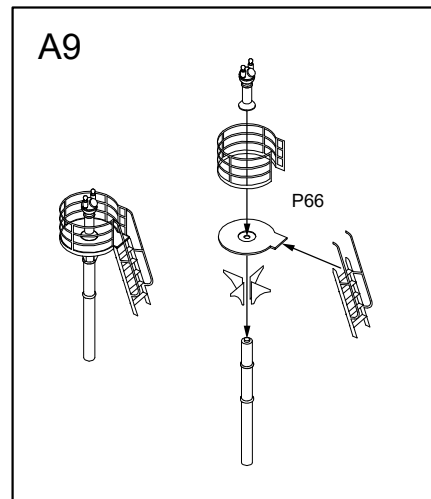
A7

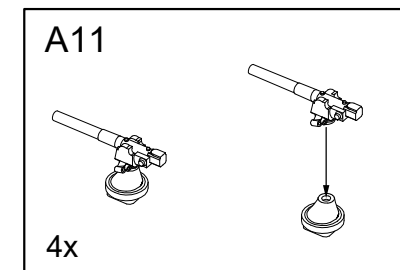
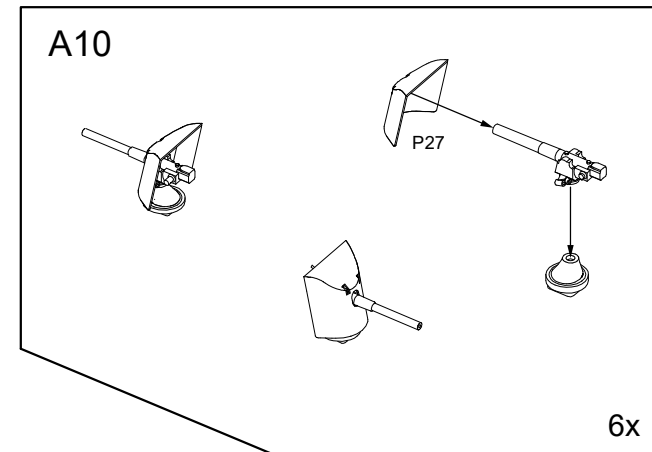
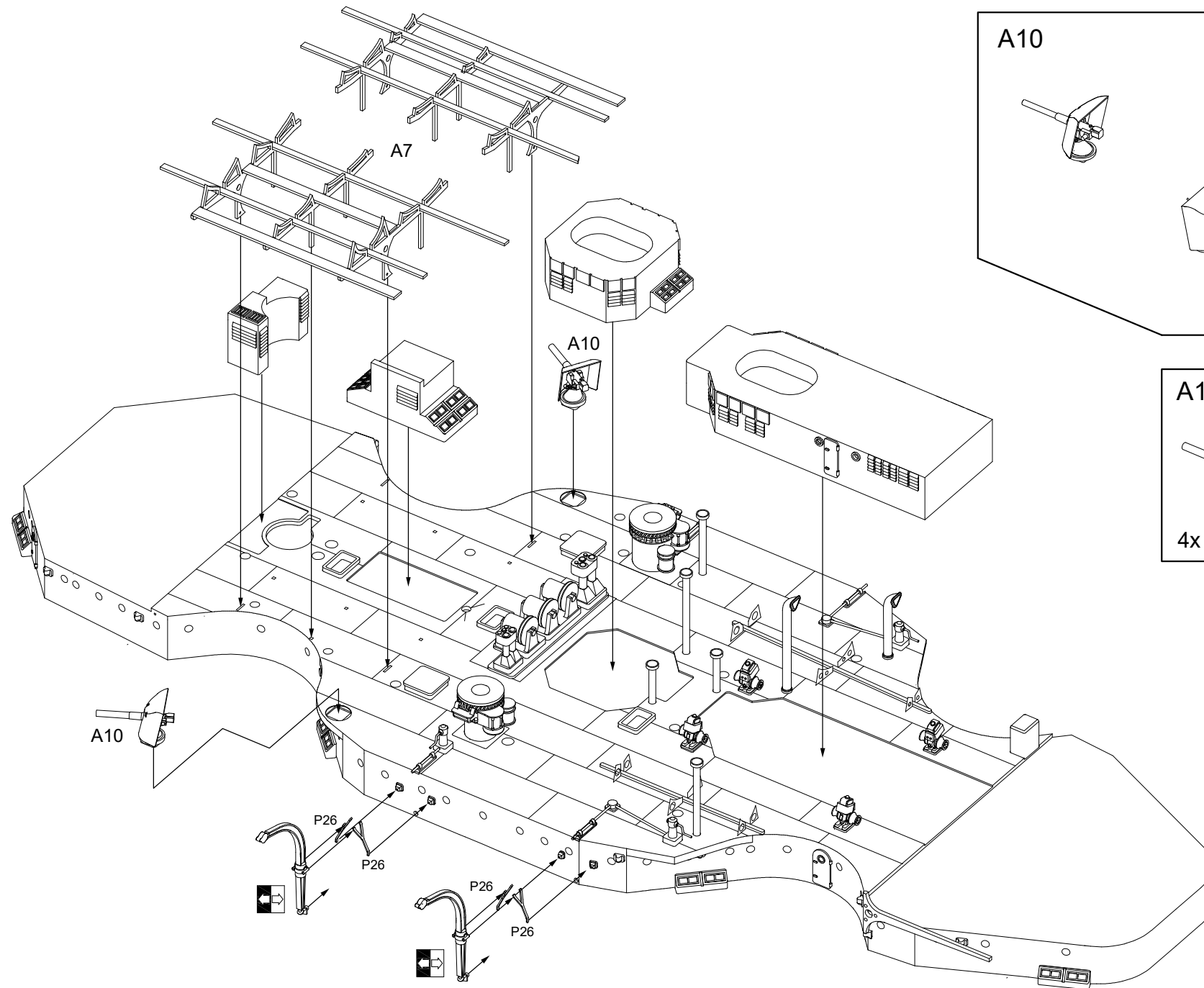


A8

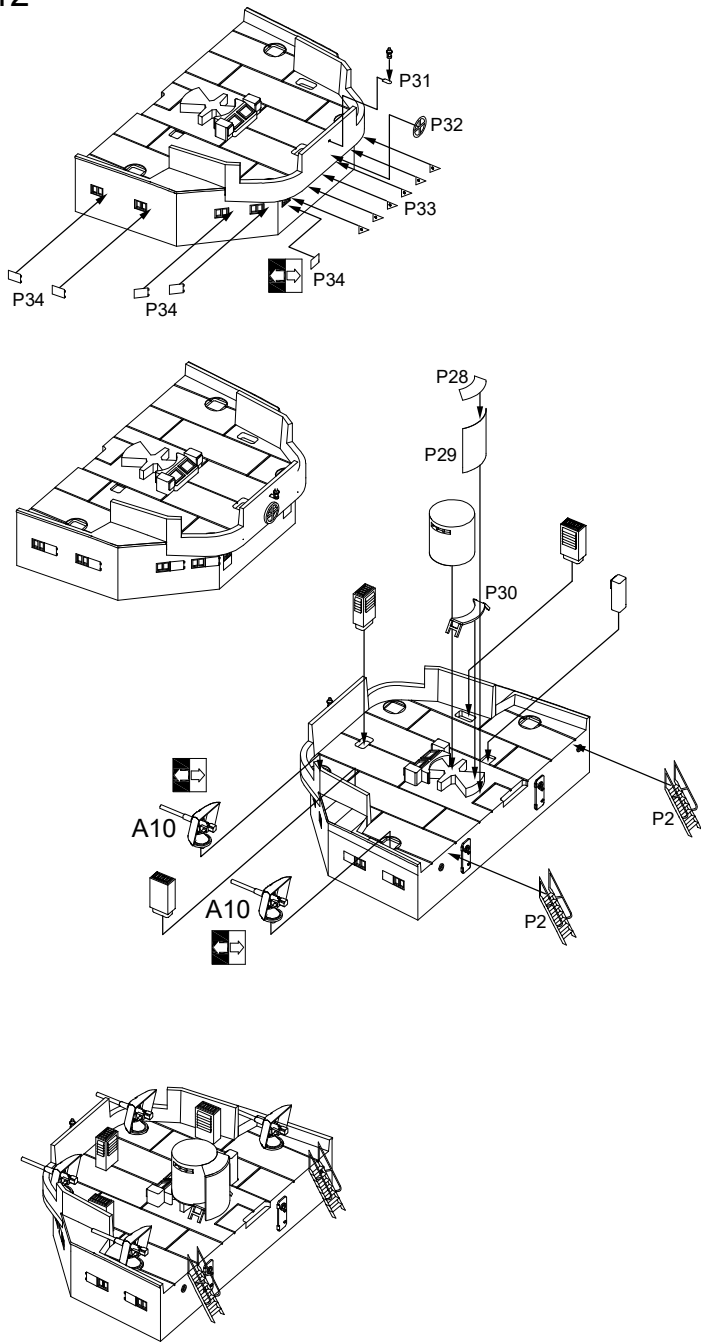


A9

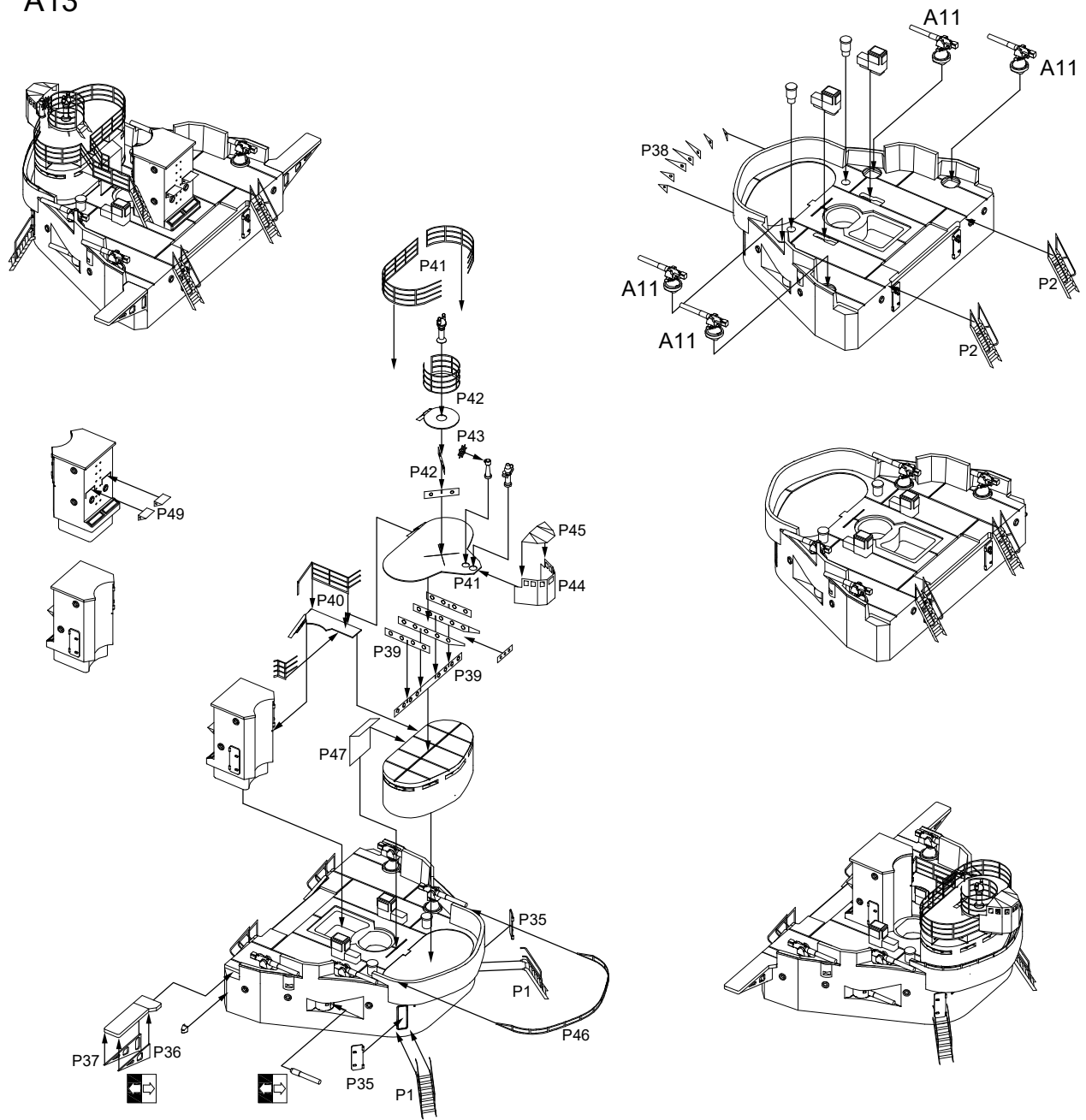




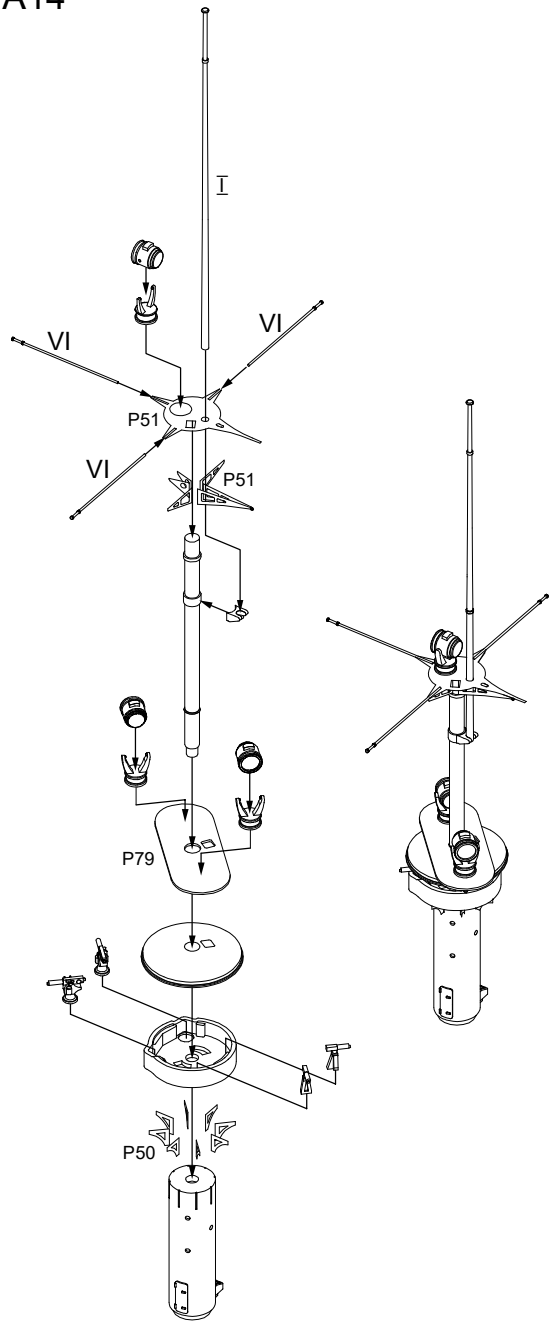
A12



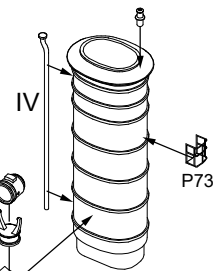
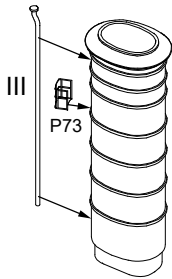
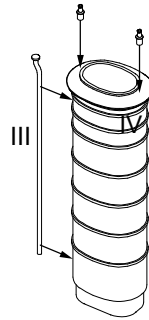
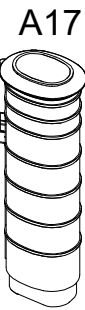
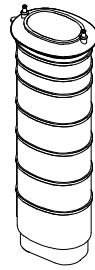
A13



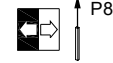
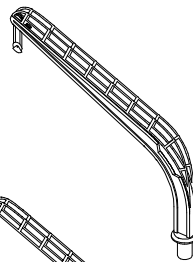
A14



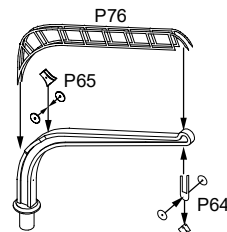
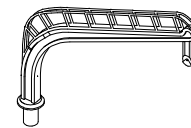
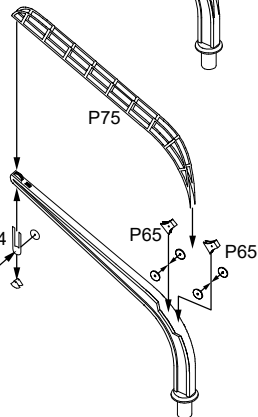
A18



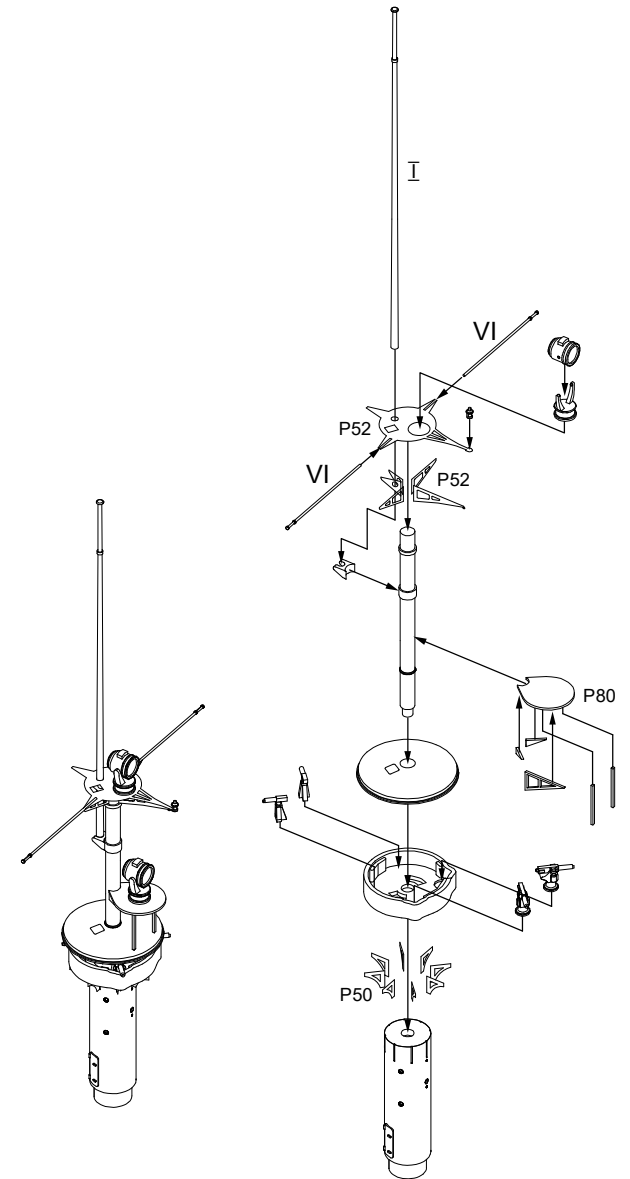
A20

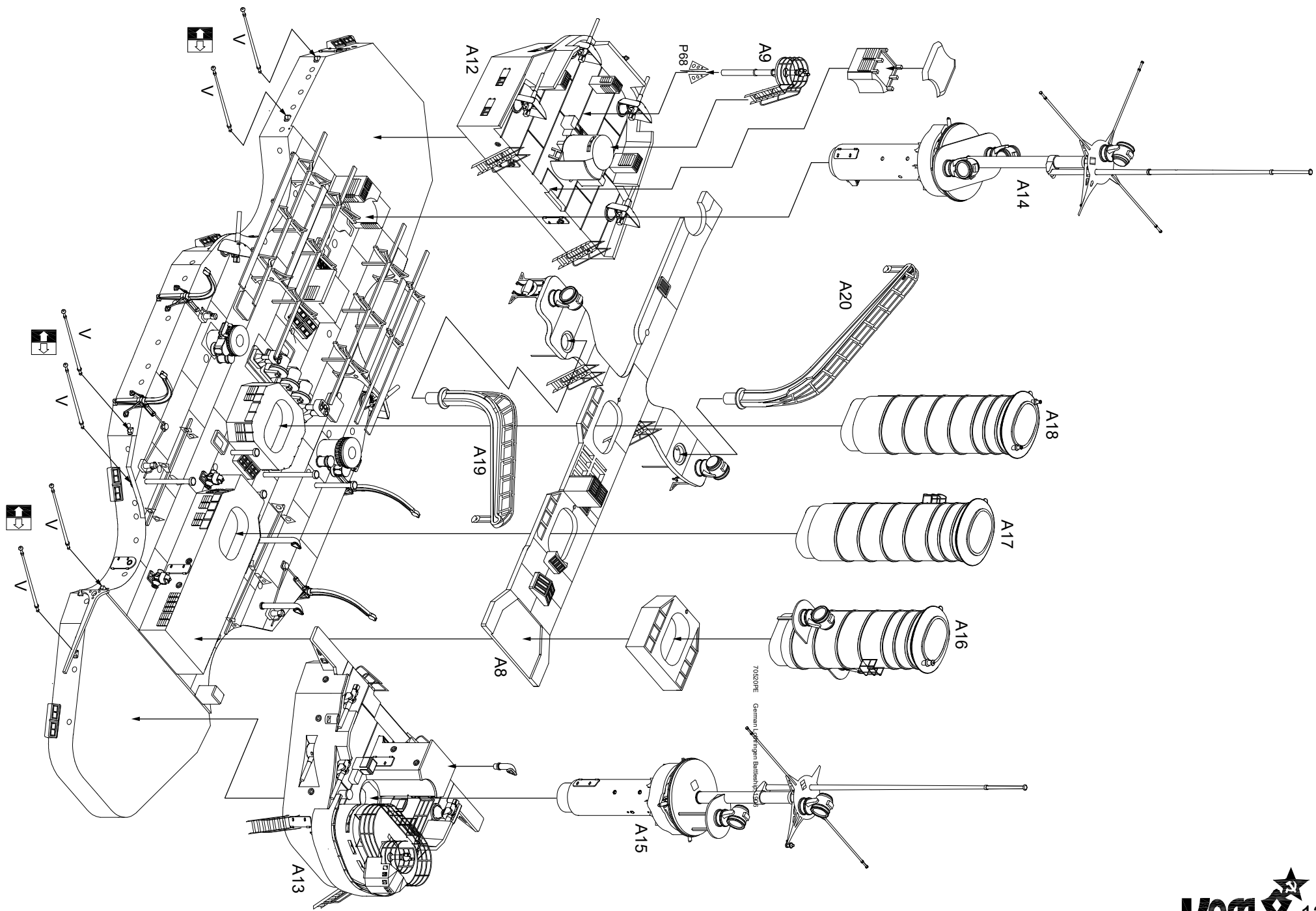


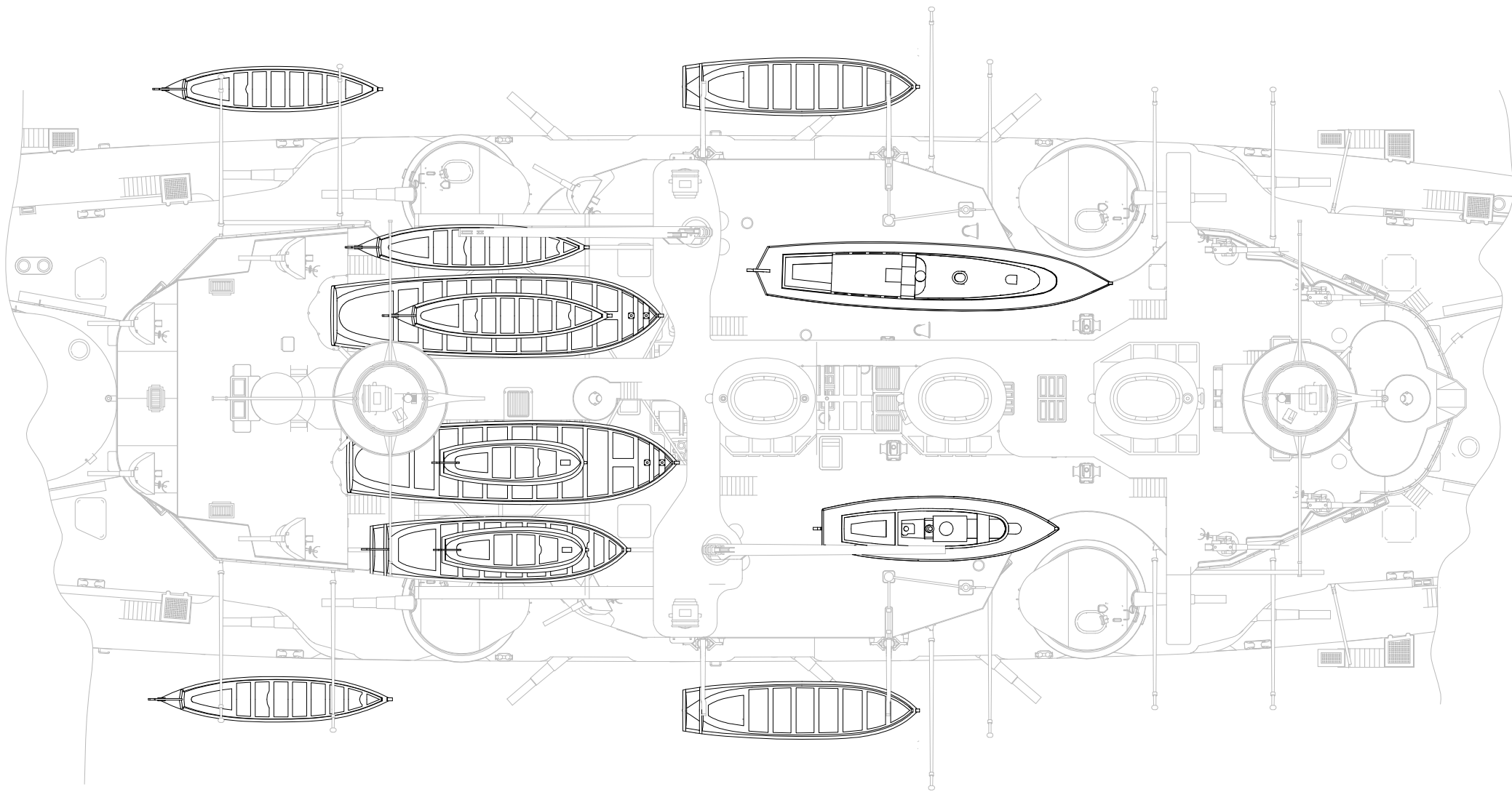
A19



A15







Boats location.

70520 For more info on Combrig kits see: www.combrig-models.com www.steelnavy.net www.modelwarships.com