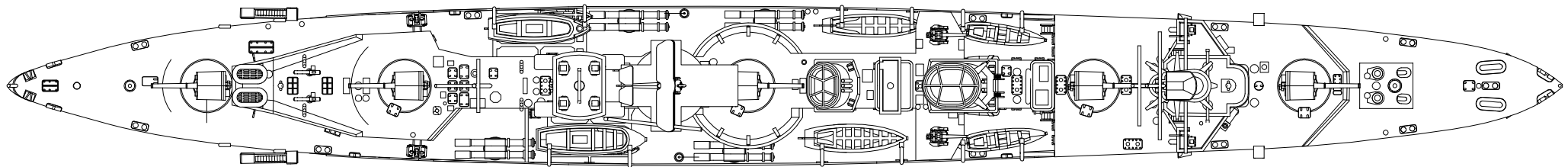
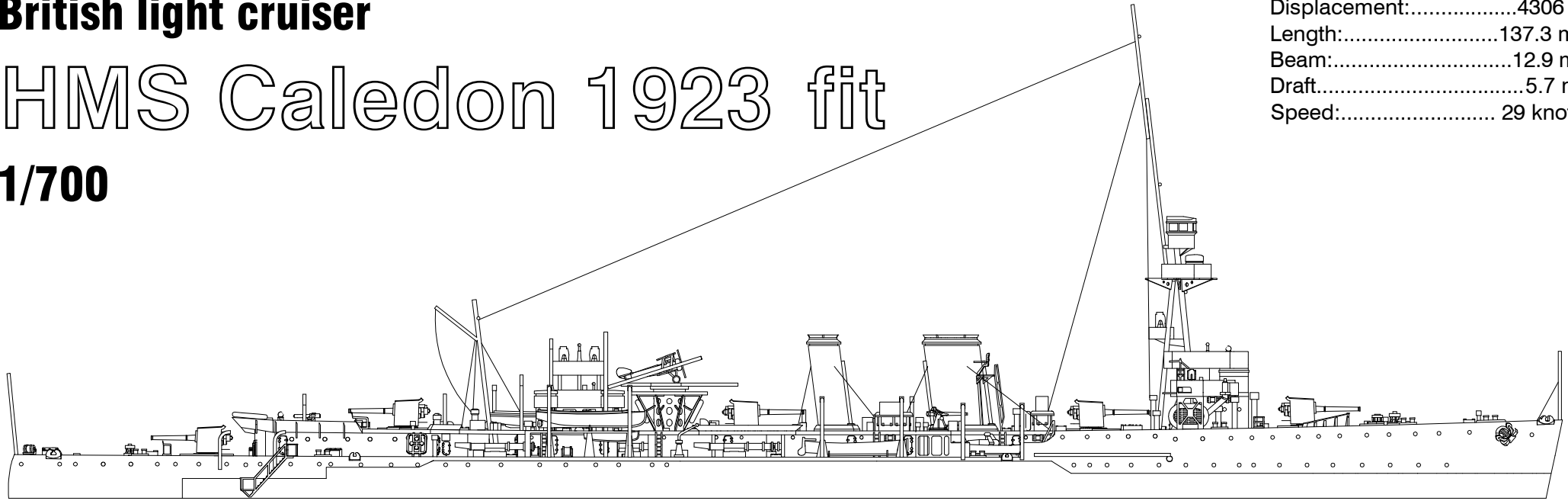


British light cruiser

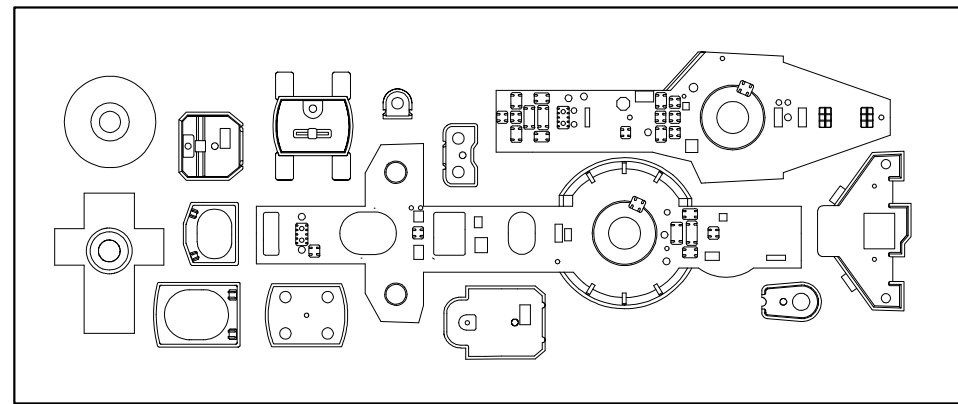
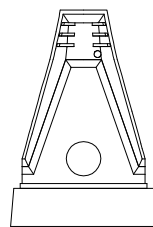
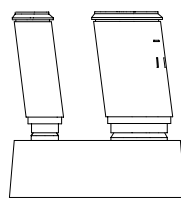
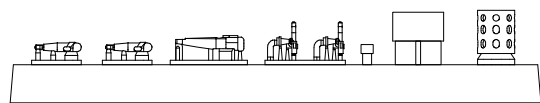
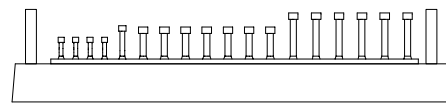
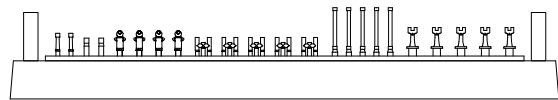
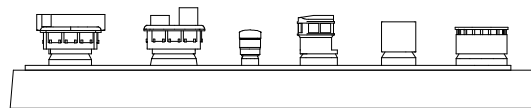
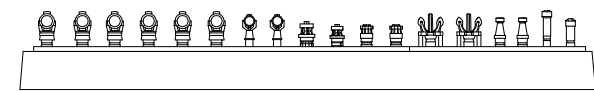
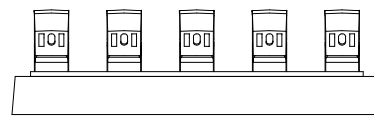
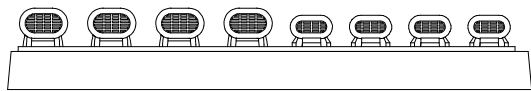
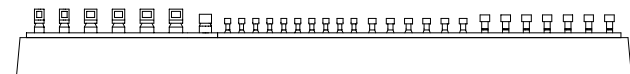
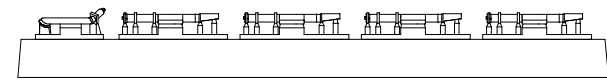
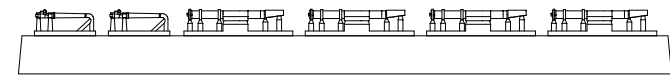
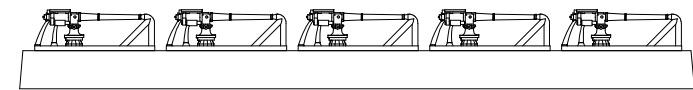
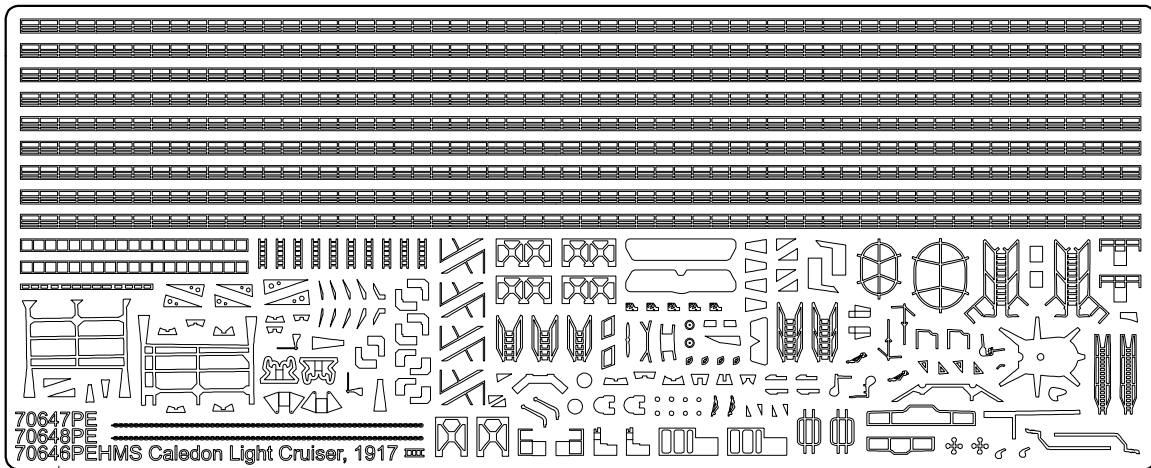
HMS Caledon 1923 fit

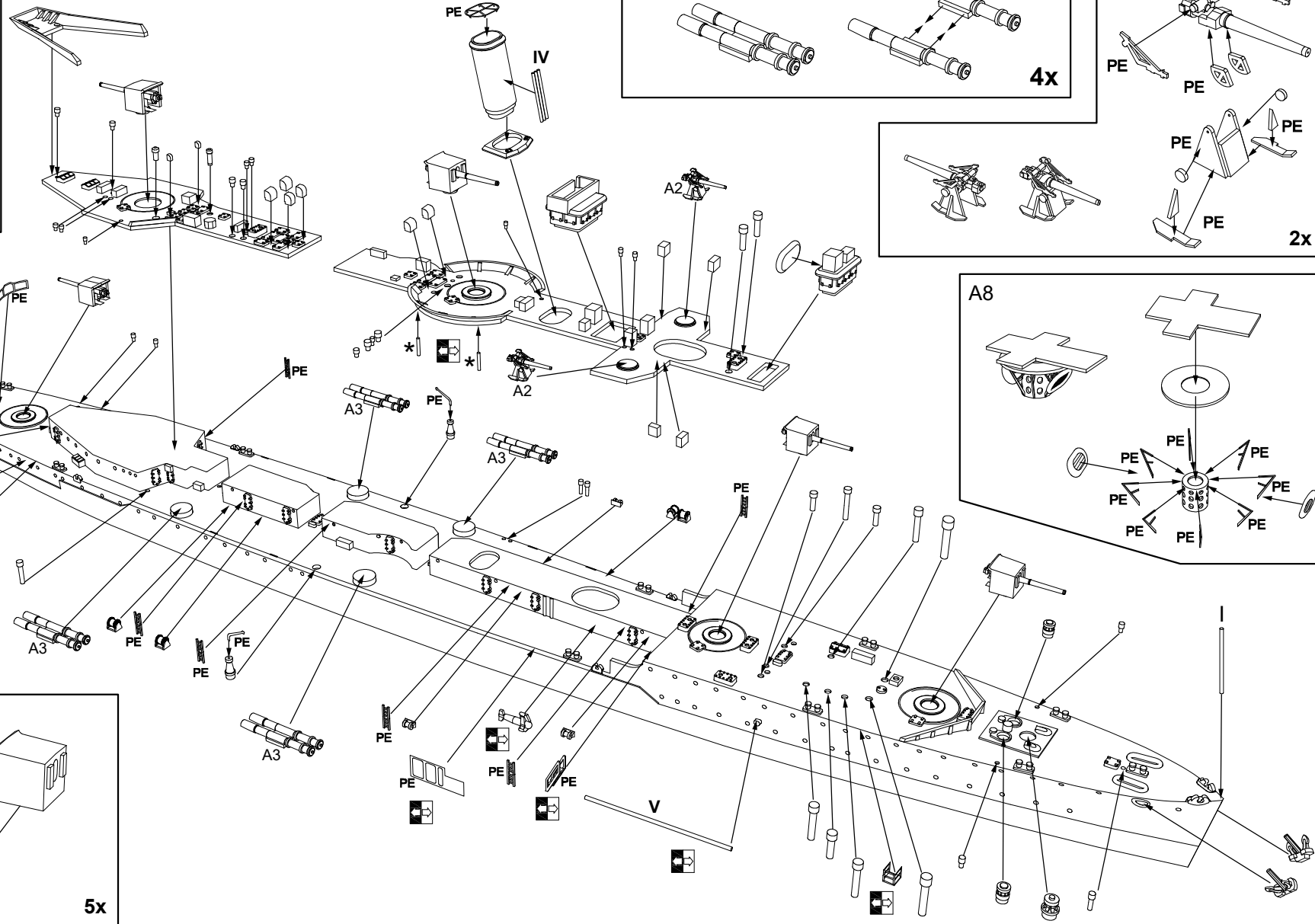
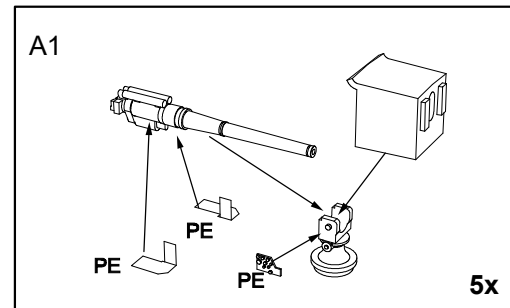
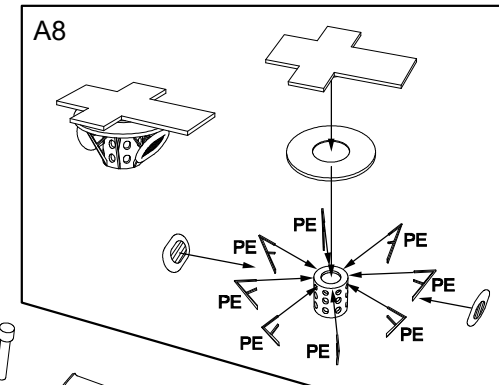
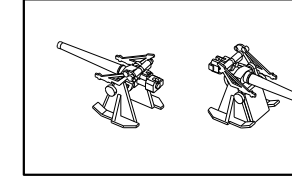
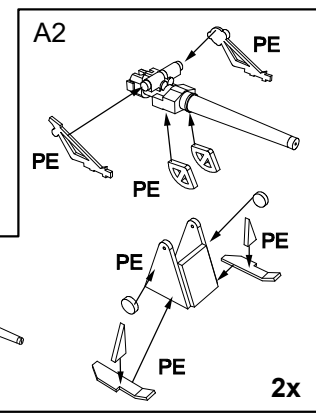
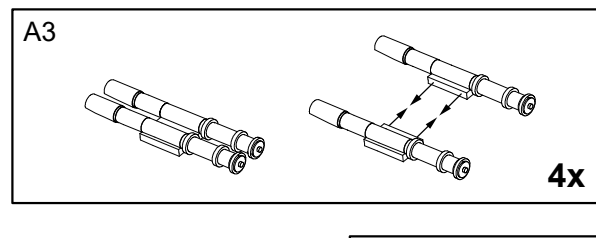
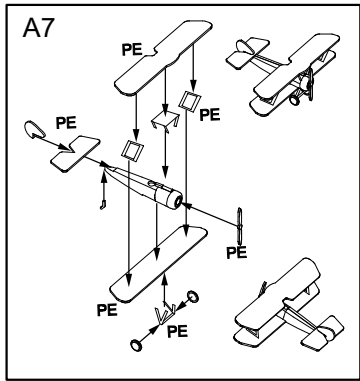
1/700

Displacement:.....4306 t
Length:.....137.3 m
Beam:.....12.9 m
Draft.....5.7 m
Speed:..... 29 knots

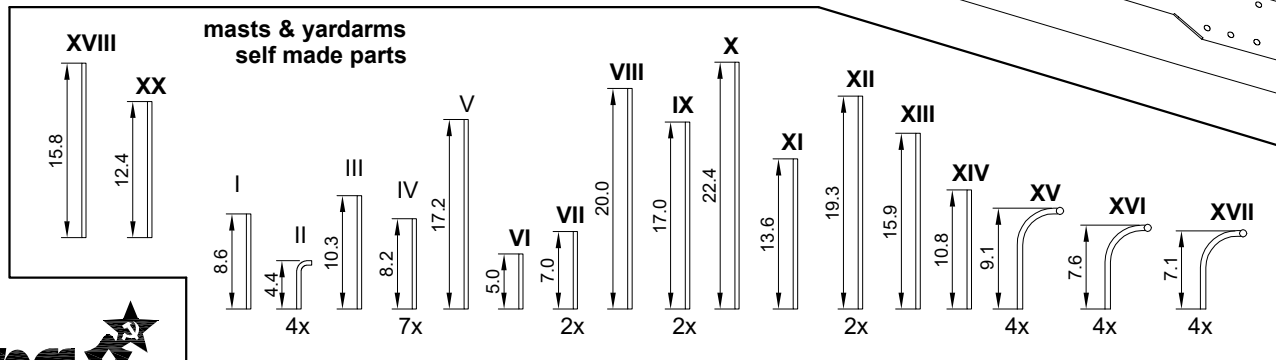
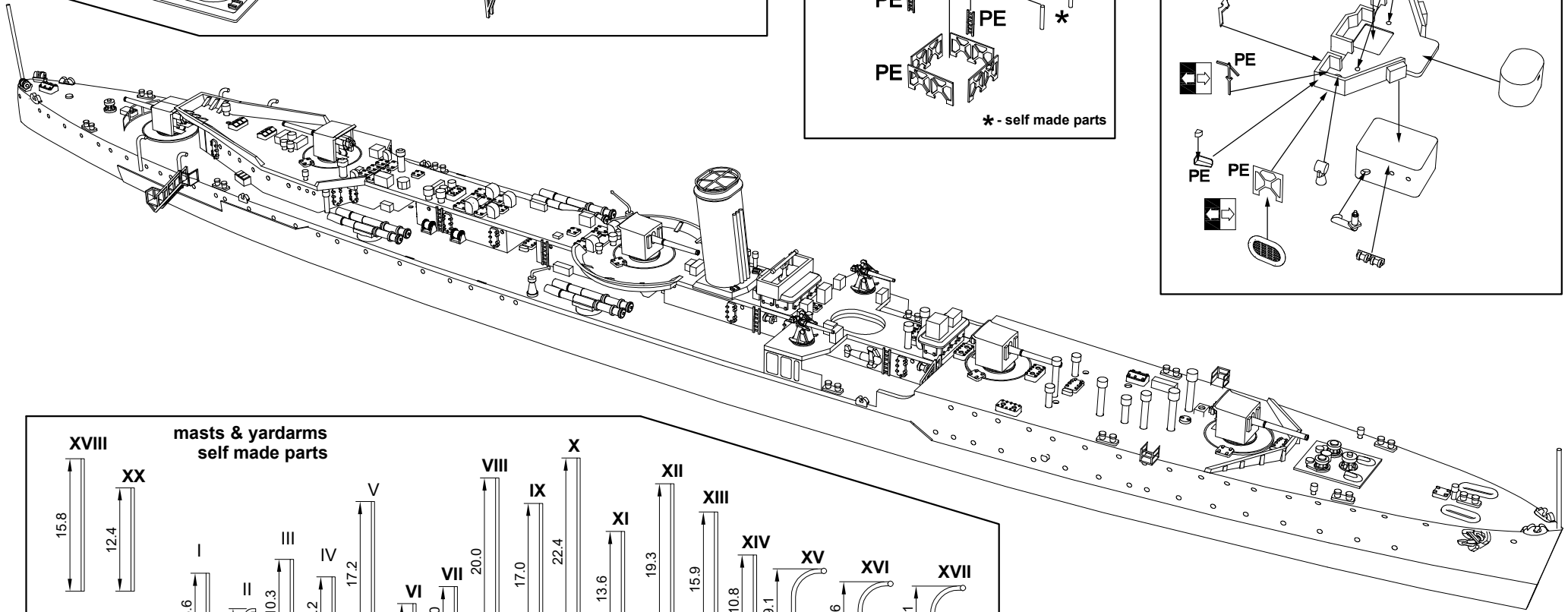
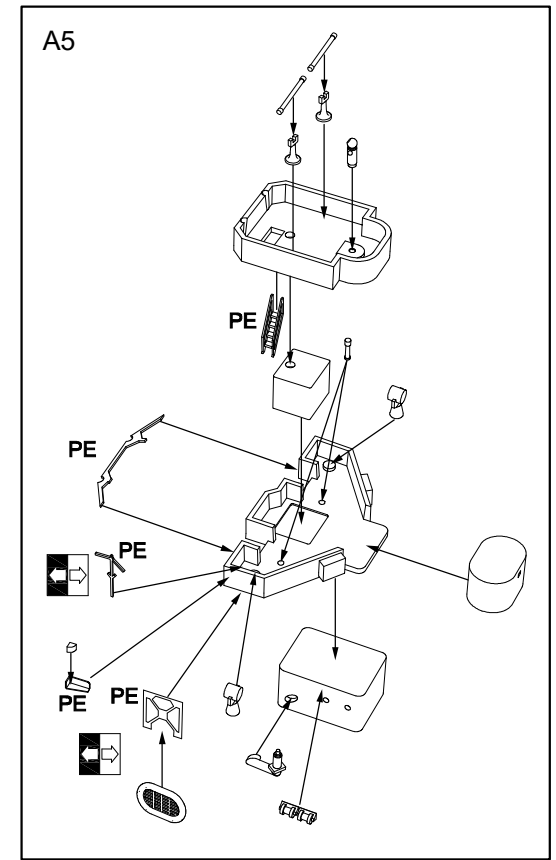
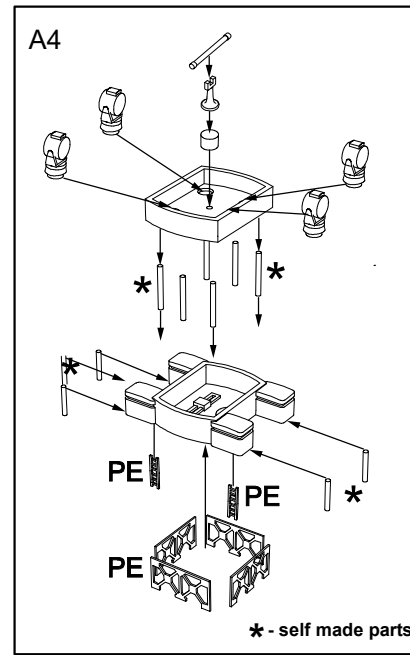
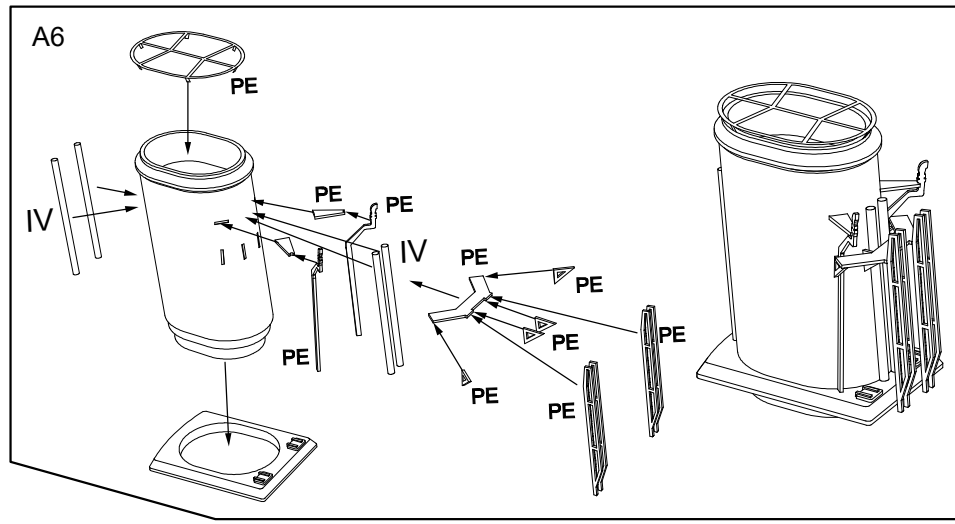


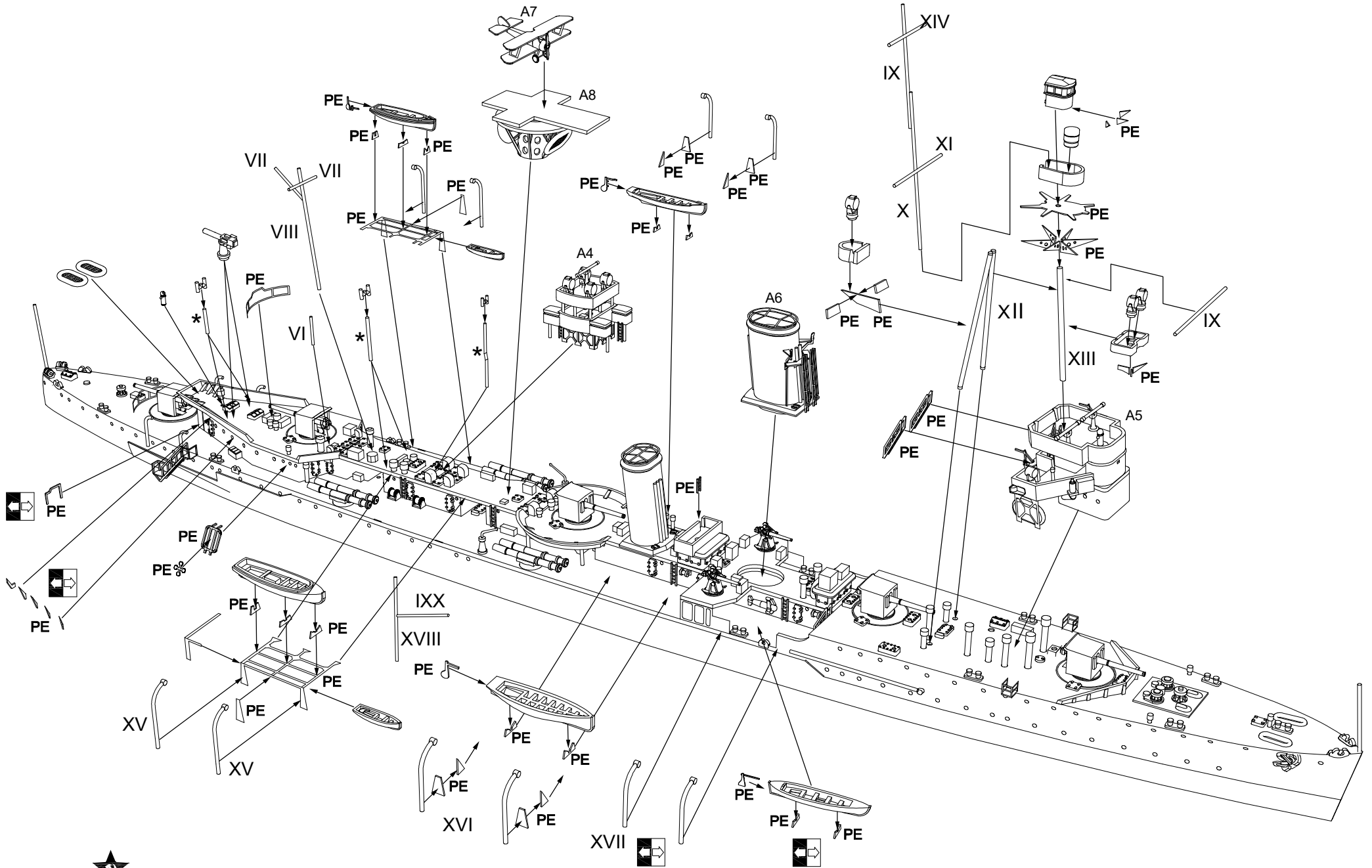
The Caledon sub-class was a slightly larger and improved version of the preceding Centaur sub-class with a more powerful armament. The ships were 450 feet 6 inches (137.3 m) long overall, with a beam of 42 feet 3 inches (12.9 m) and a deep draught of 18 feet 9 inches (5.7 m). Displacement was 4,238 long tons (4,306 t) at normal and 4,911 long tons (4,990 t) at deep load. Caledon was powered by two Parsons steam turbines, each driving one propeller shaft, which produced a total of 40,000 shaft horsepower (30,000 kW). The turbines used steam generated by six Yarrow boilers which gave her a speed of about 29 knots (54 km/h; 33 mph). She carried 935 long tons (950 t) tons of fuel oil. The ship had a crew of about 400 officers and other ranks; this increased to 437 when serving as a flagship. The main armament of the Caledon-class ships consisted of five BL 6-inch (152 mm) Mk XII guns that were mounted on the centreline. One gun was forward of the bridge, two were fore and aft of the two funnels and the last two were in the stern, with one gun superfiring over the rearmost gun. The two QF 3-inch (76 mm) 20-cwt anti-aircraft guns were positioned abreast of the fore funnel. The torpedo armament of the Caledons was four times more powerful than that of the Centaurs, with eight 21 in (533 mm) torpedo tubes in four twin mounts, two on each broadside. Caledon was converted at the end of 1943 to an anti-aircraft cruiser, replacing the entire former armament with three QF 4-inch (100 mm) Mk XVI twin and two Bofors 40-millimetre (1.6 in) Mk IV "Hazemeyer" twin mounts. By 1944 this was supplemented by six Bofors 40 mm Mk III and one Oerlikon 20-millimetre (0.79 in) Mk III single mounts. The ship's tonnage increased to 5,240 long tons (5,320 t) at full load, including 200 tonnes of lead ballast. Obsolete by the end of the war, she was disarmed in April 1945, and subsequently sold for scrap on 22 January 1948. Caledon arrived at the yards of Dover Industries, Dover on 14 February 1948 to be broken up.





* - self made parts





* - self made parts