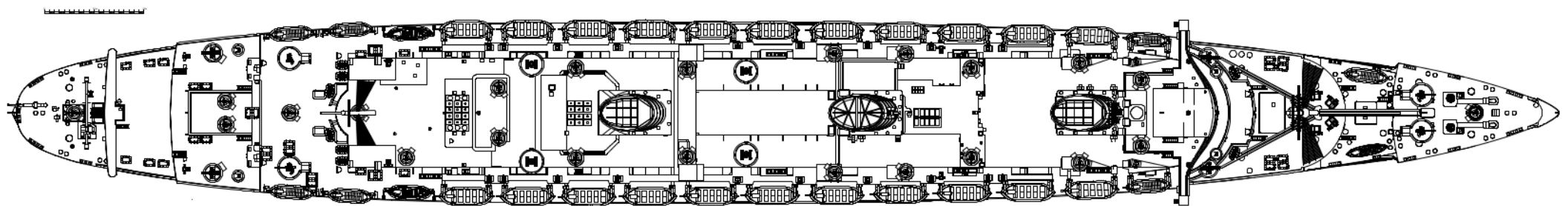
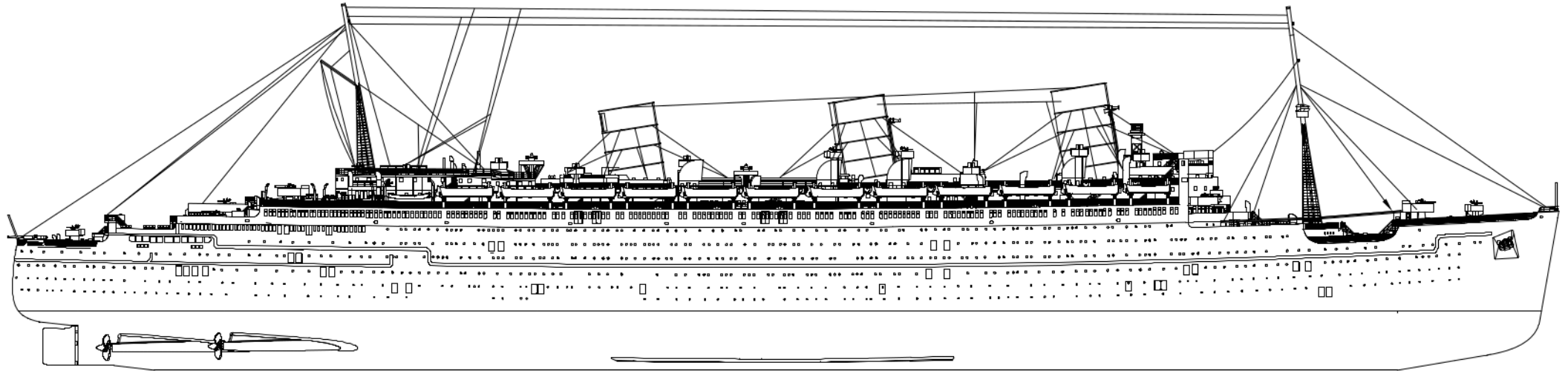
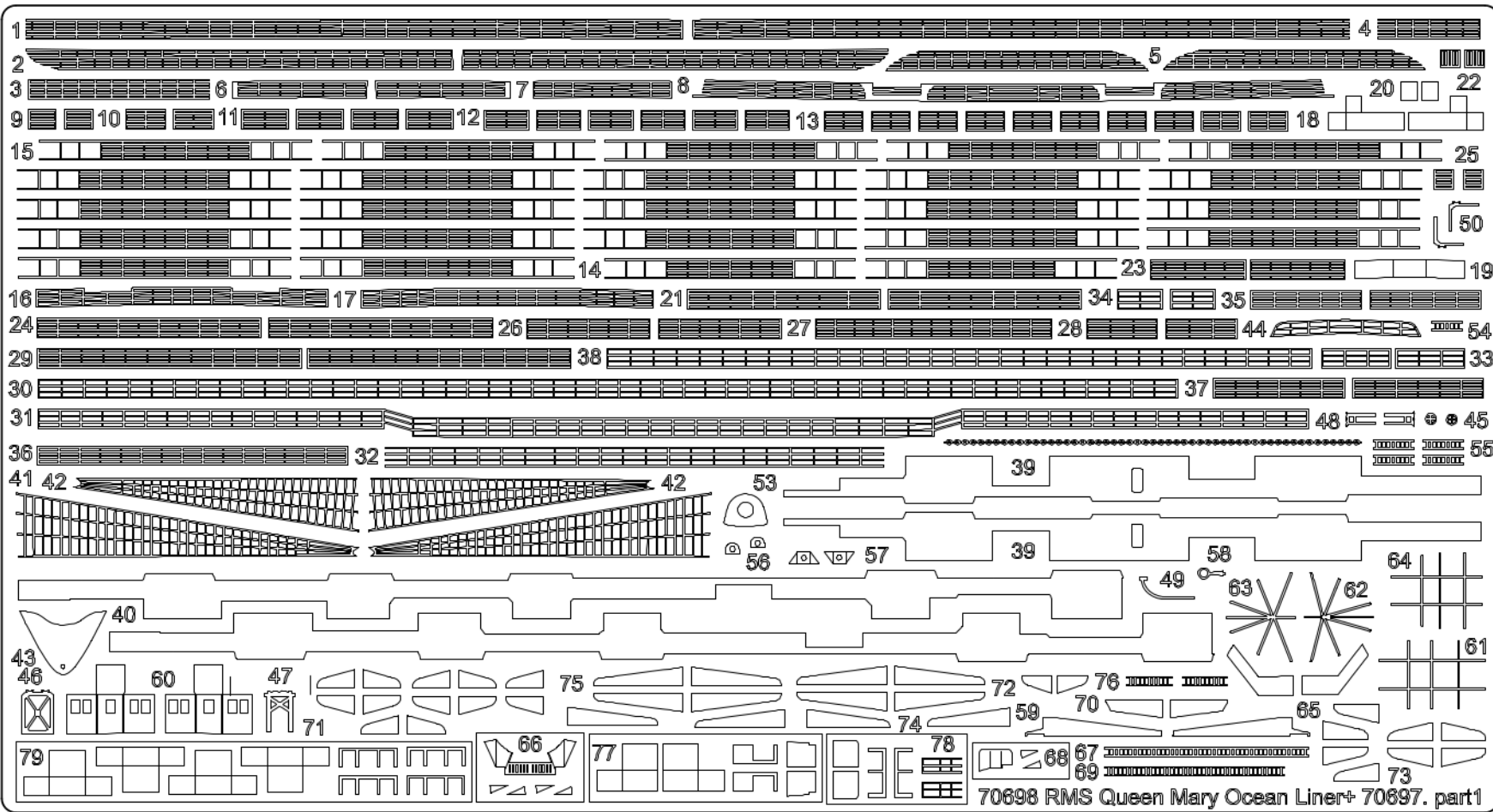


British troopship, 1942 fit

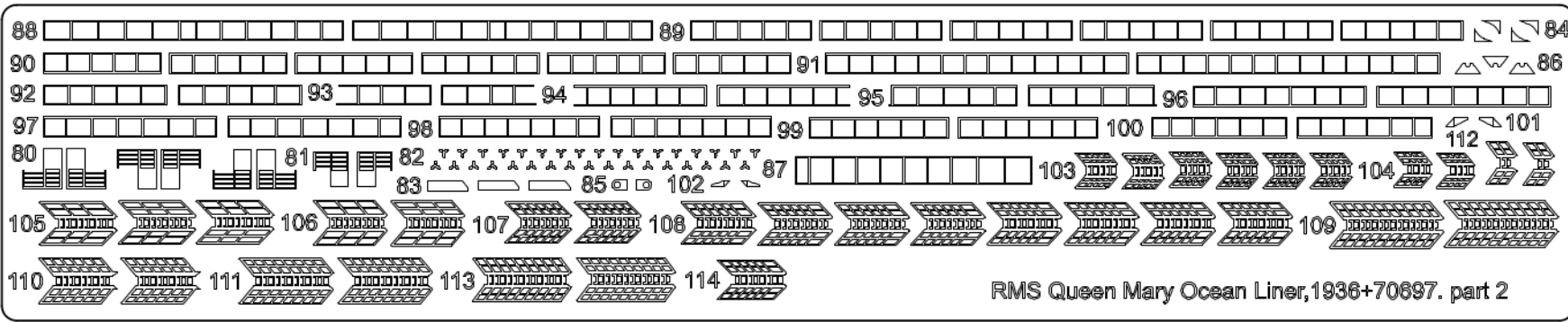
RMS Queen Mary

1/700

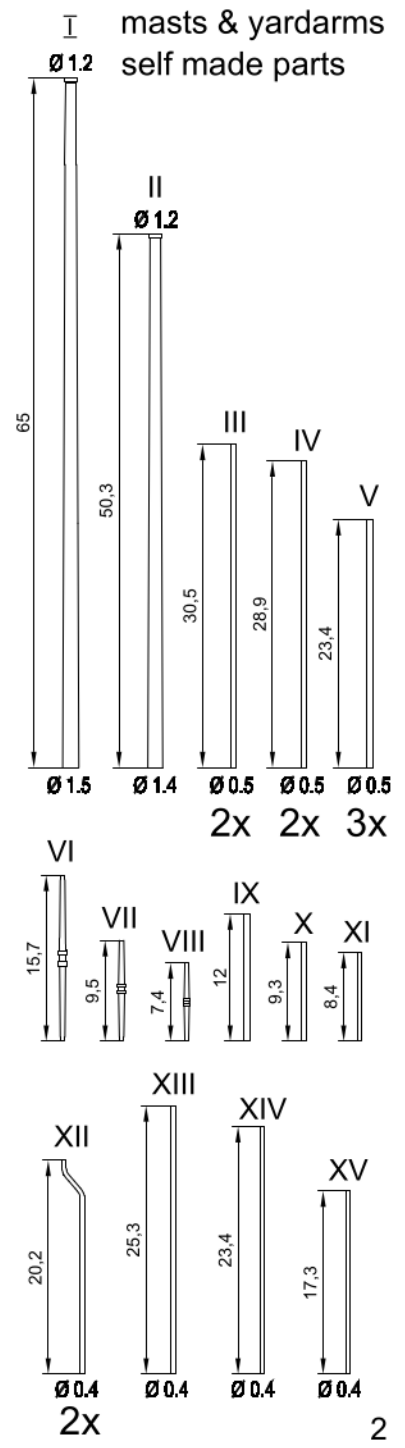




70698 RMS Queen Mary Ocean Liner+ 70697. part1



RMS Queen Mary Ocean Liner, 1936+70697. part 2

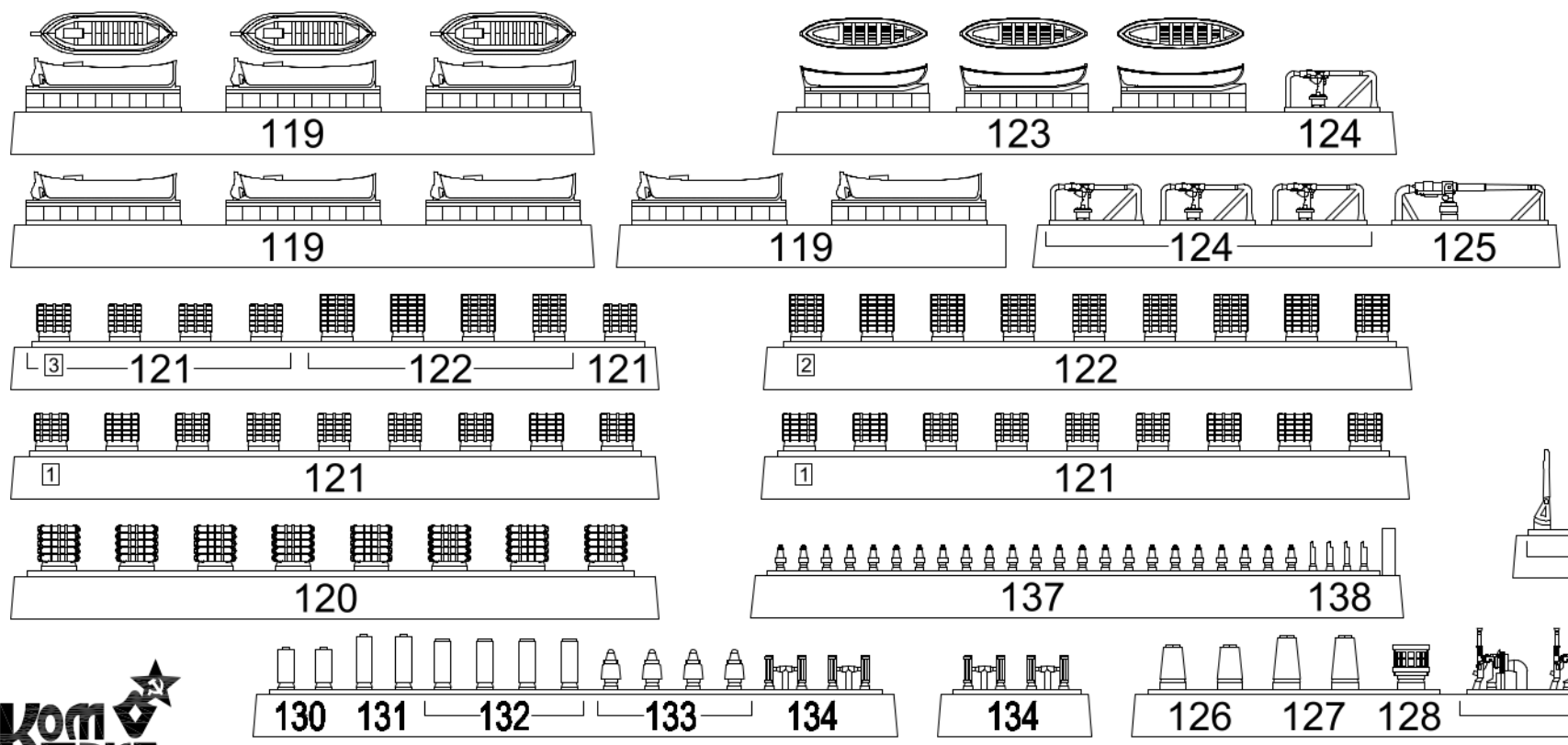
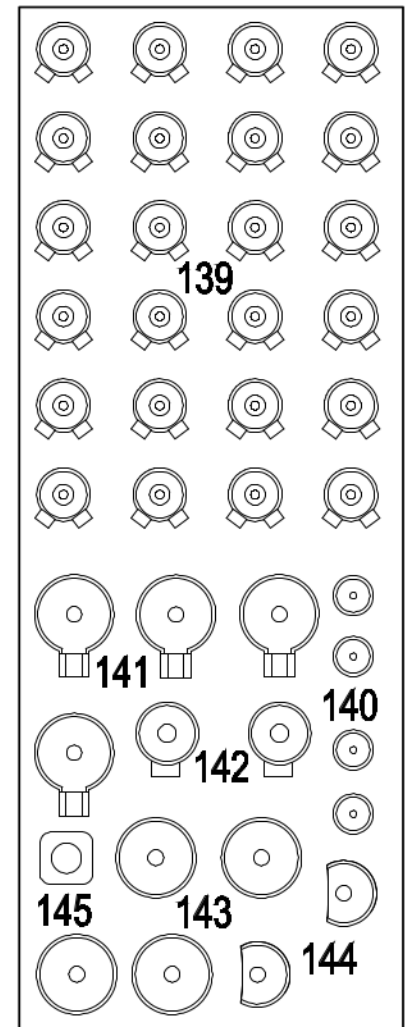
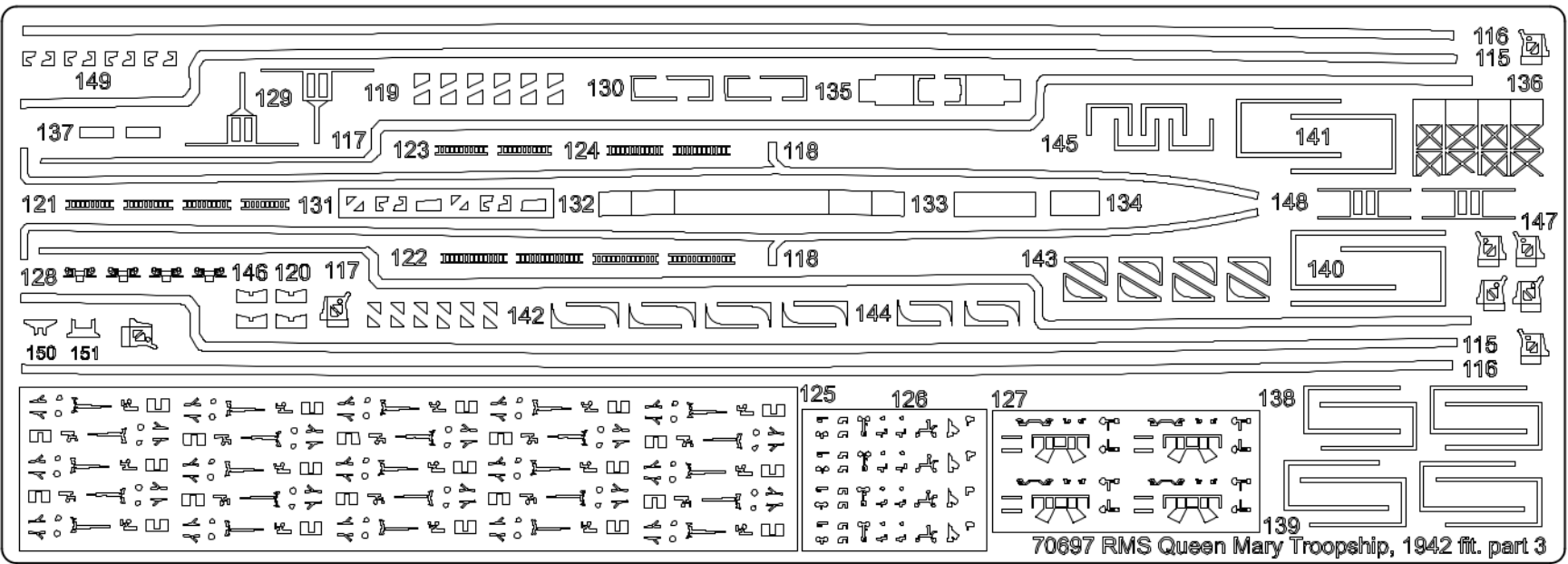


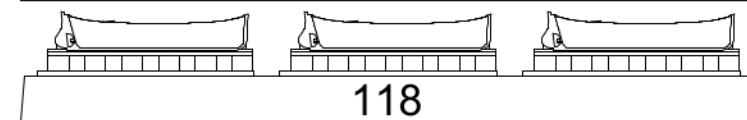
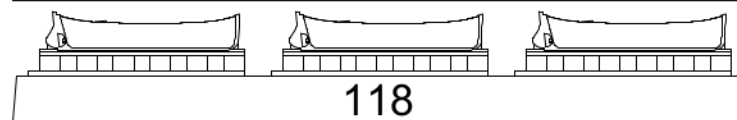
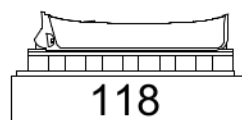
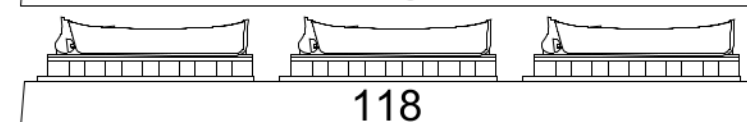
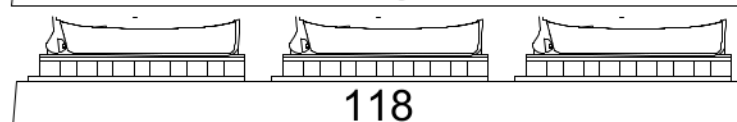
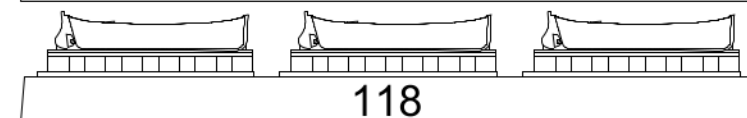
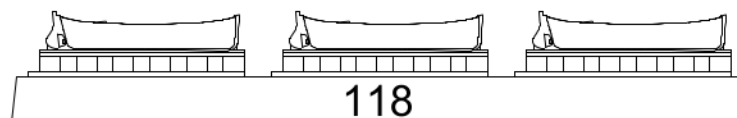
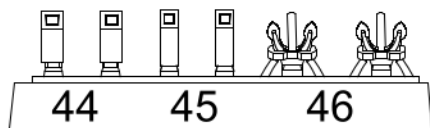
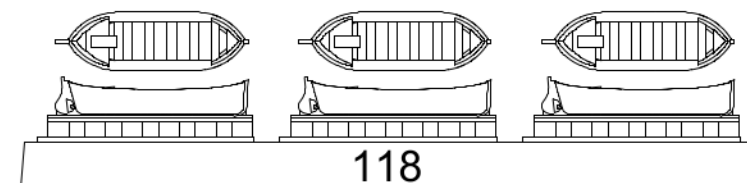
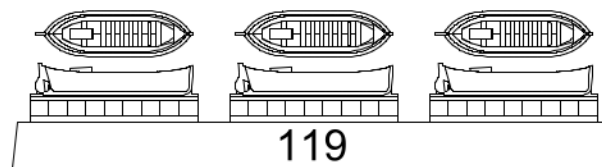
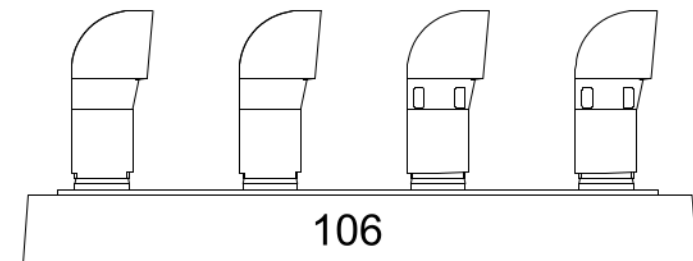
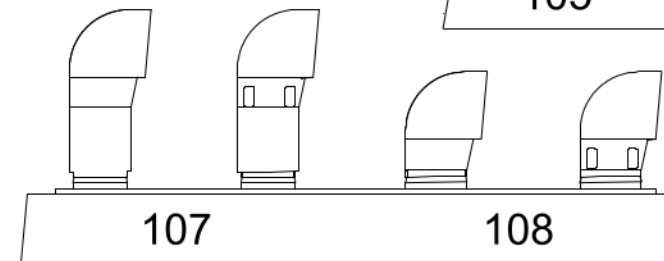
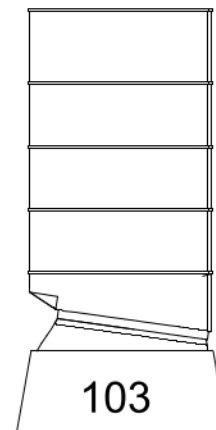
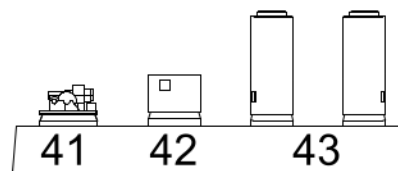
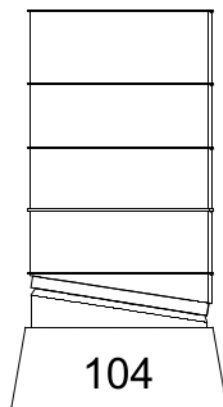
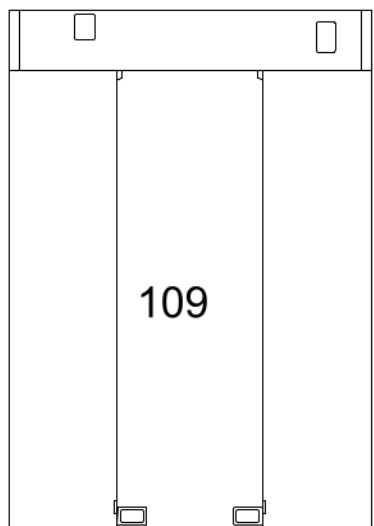
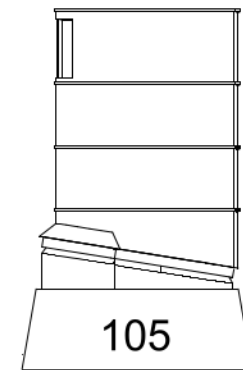
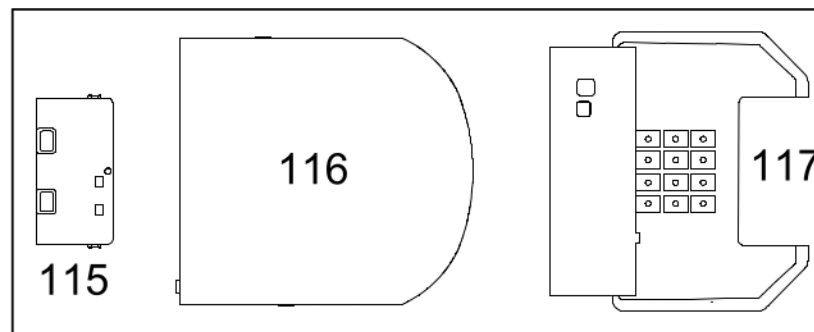
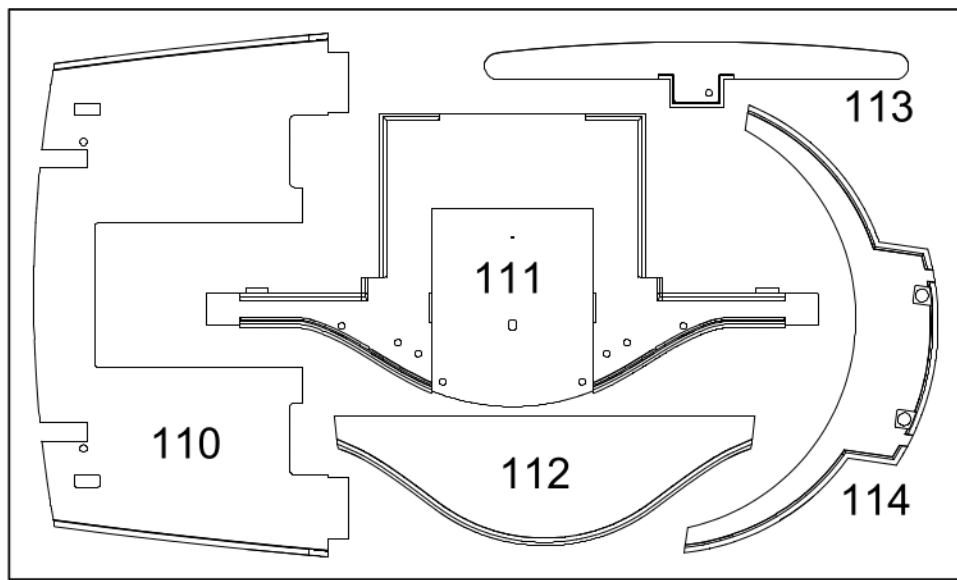
I masts & yardarms self made parts

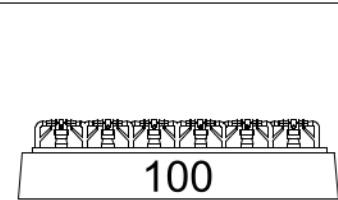
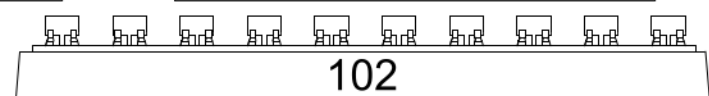
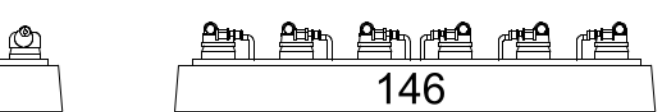
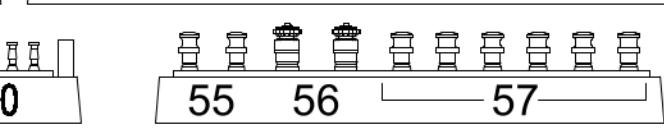
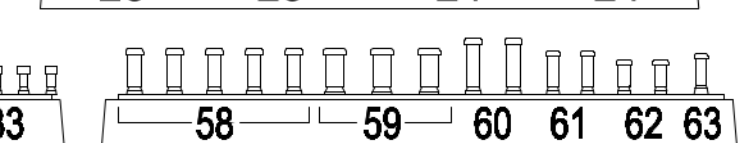
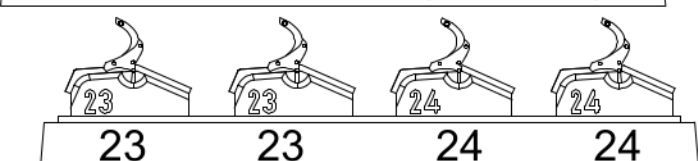
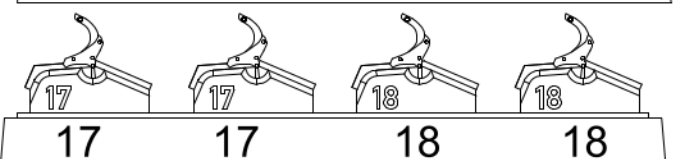
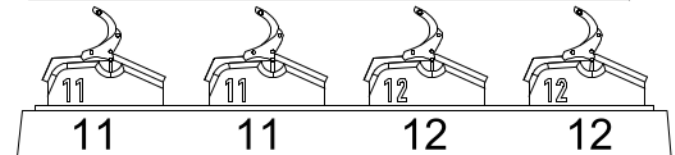
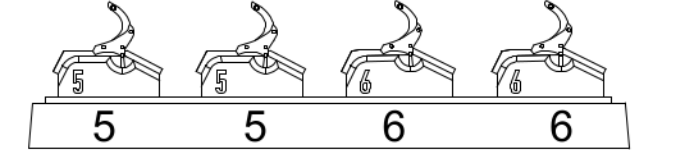
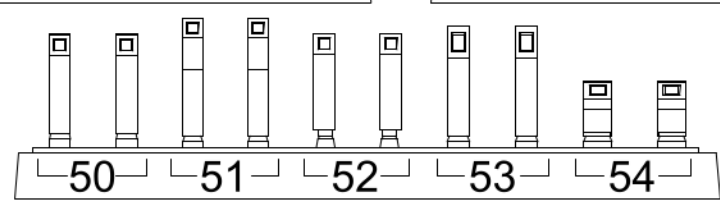
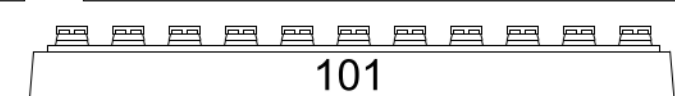
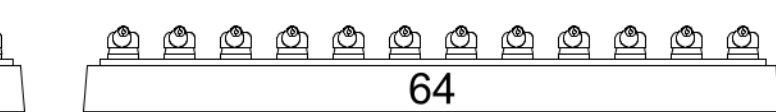
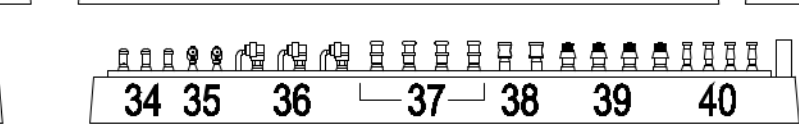
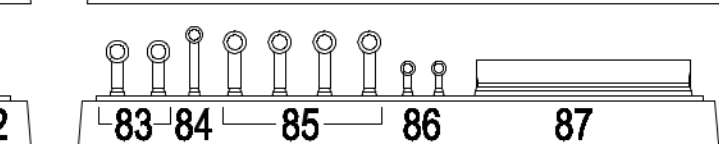
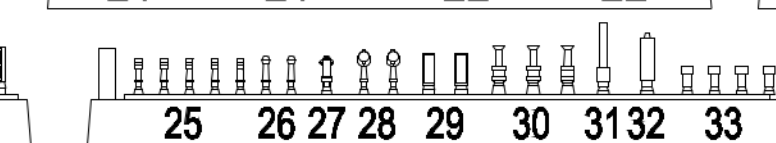
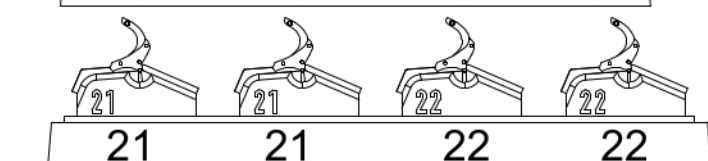
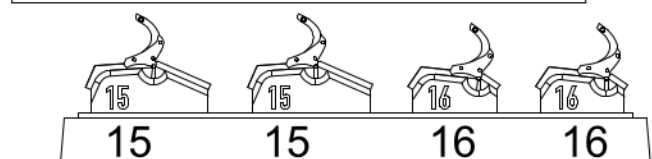
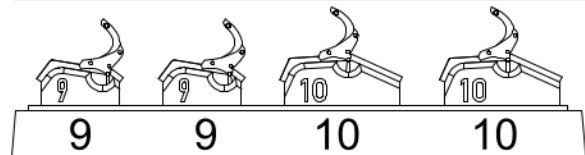
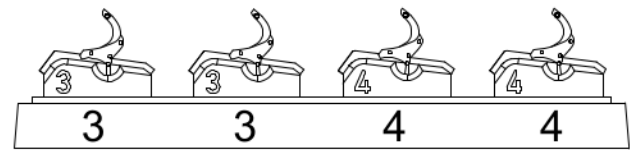
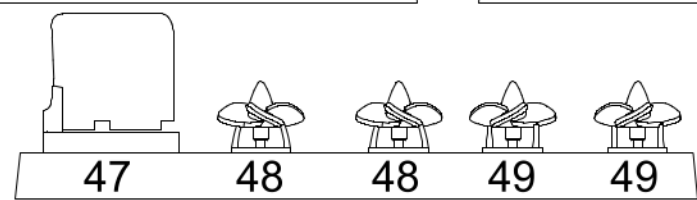
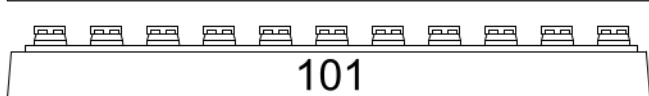
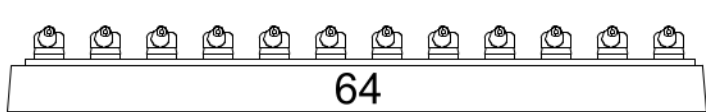
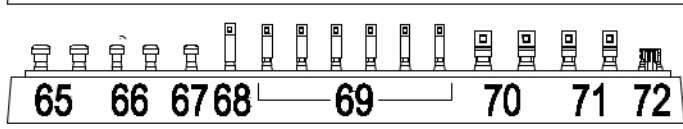
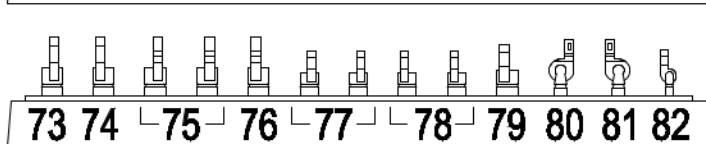
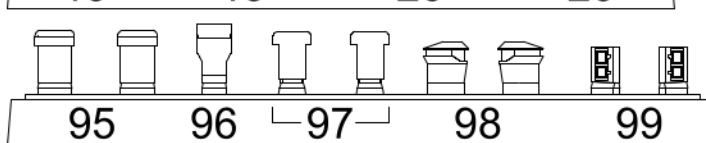
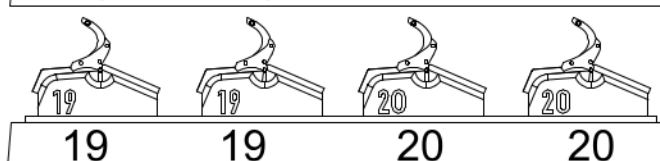
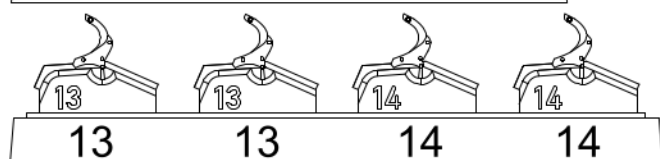
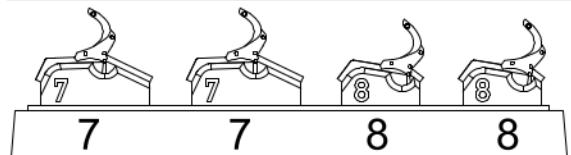
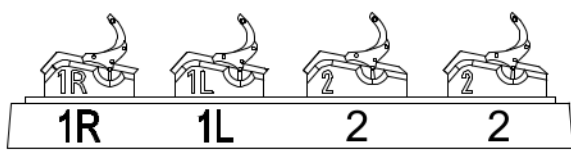


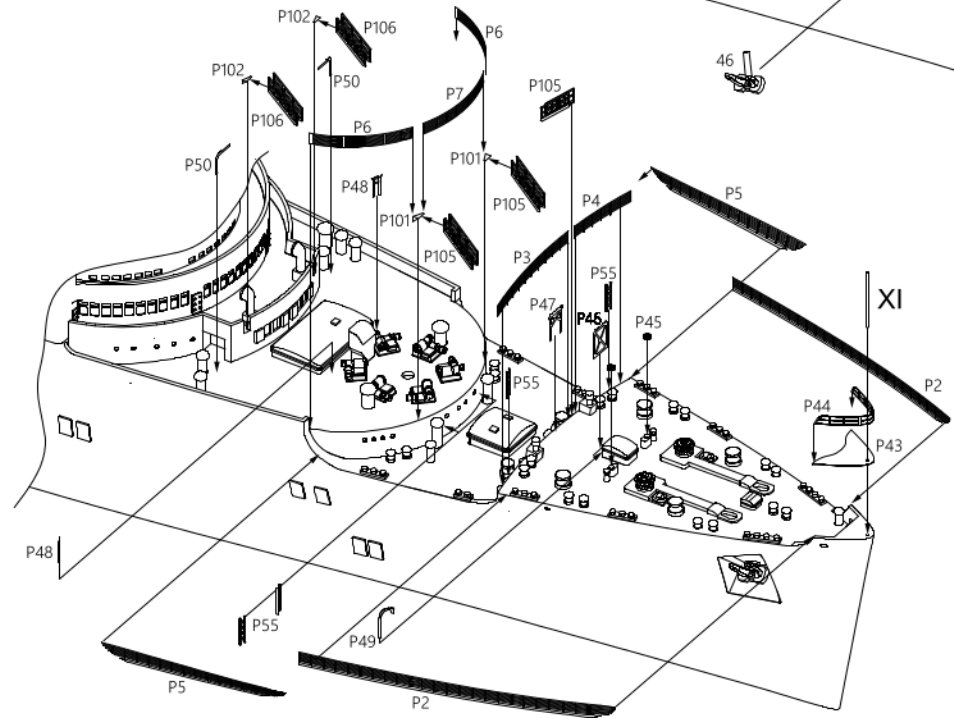
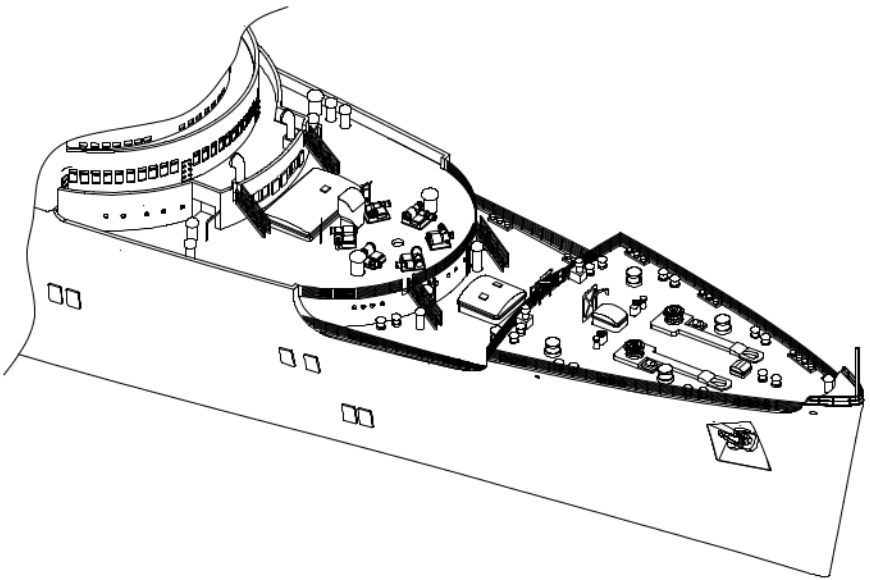
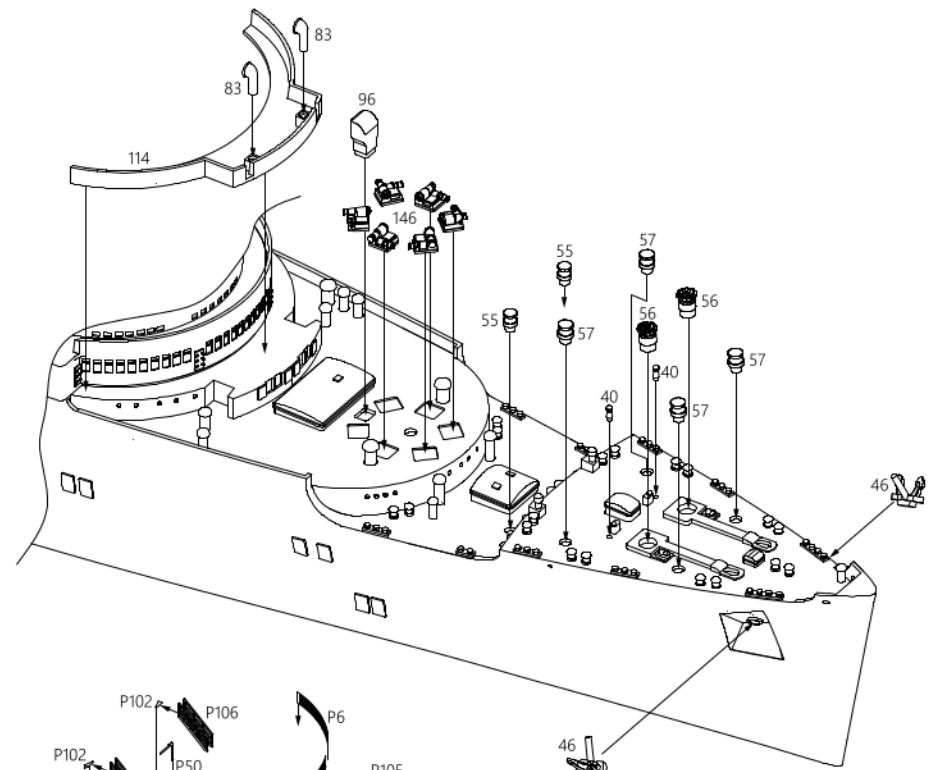
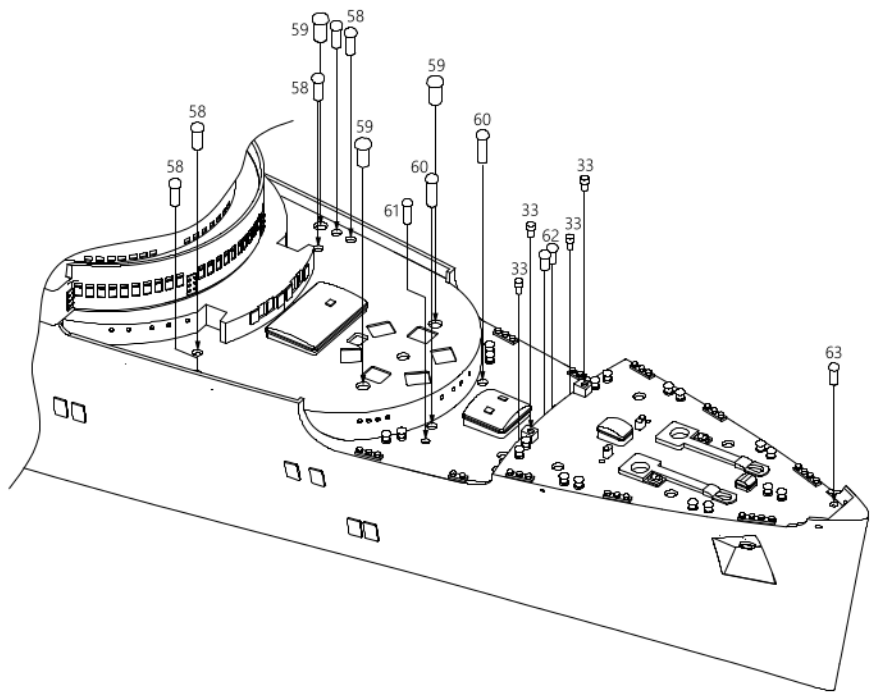
⚠ Please note that the assembly guide reflects the position of the parts when installed only, and not the exact order of the assembly. To download the assembly instructions in PDF (high resolution) please visit www.combrig-models.com

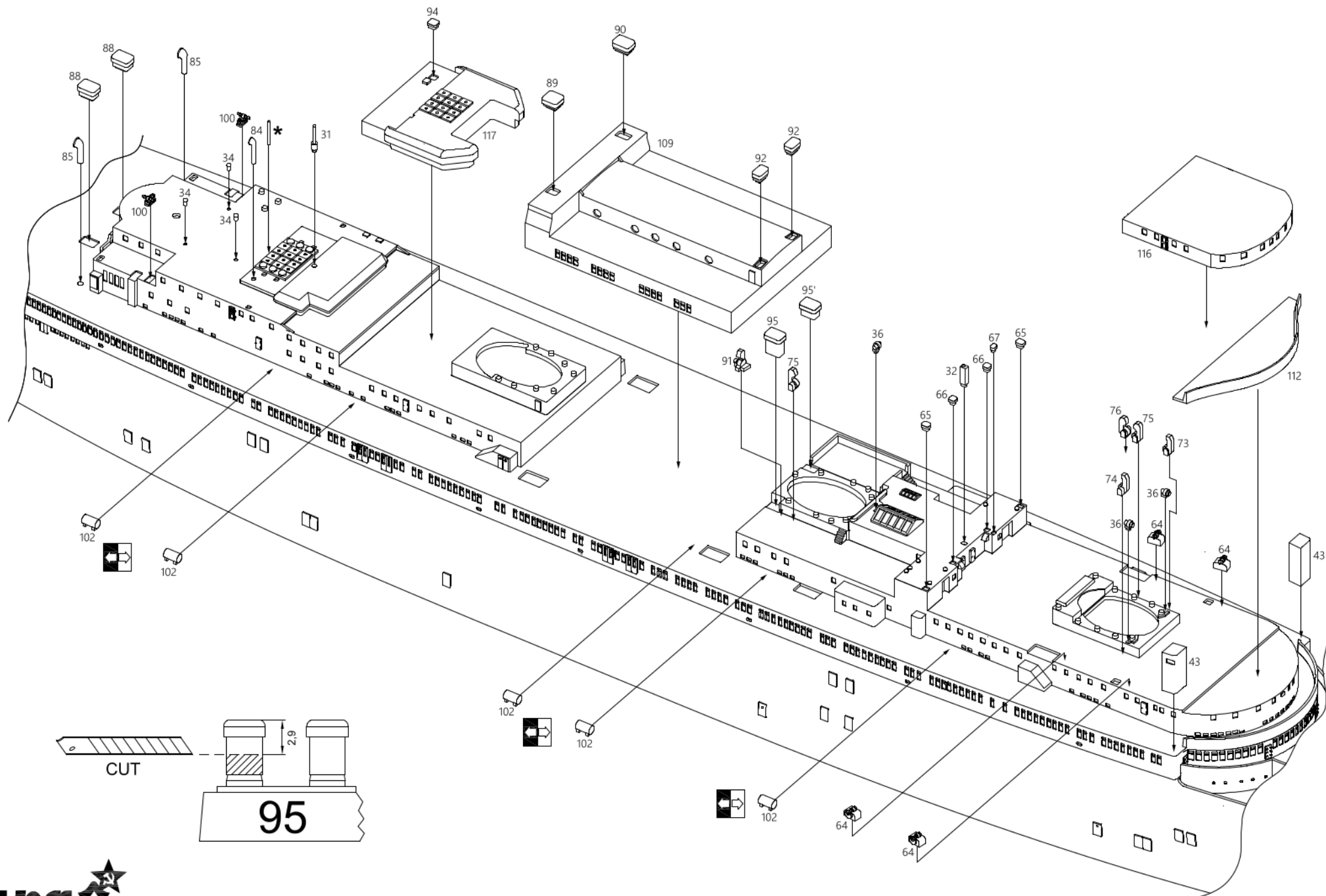
For more info on Combrig kits see: www.combrig-models.com www.steelnavy.net www.modelwarships.com 70697

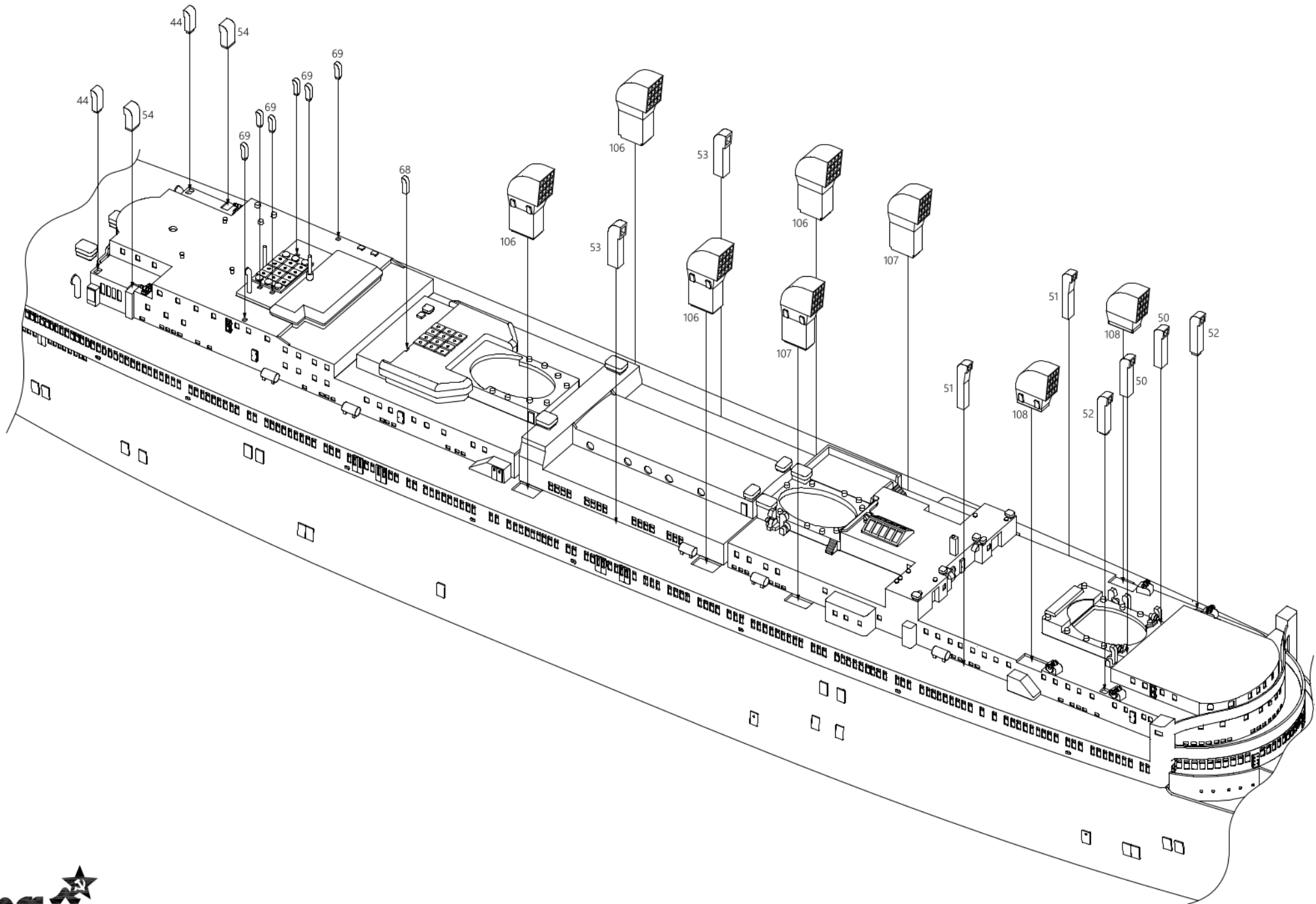


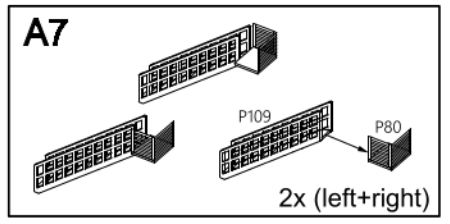
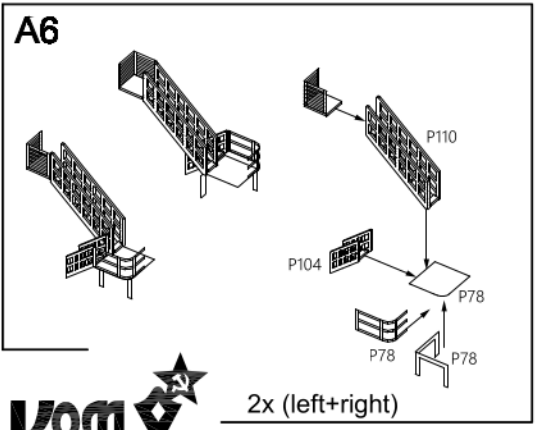
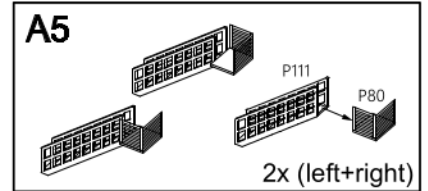
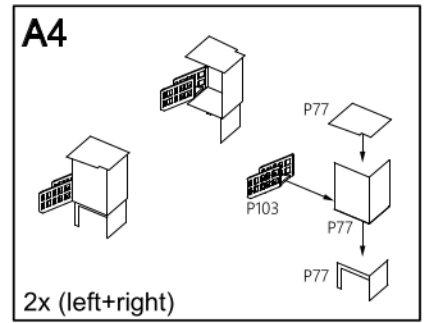
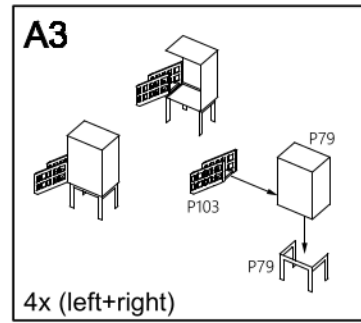
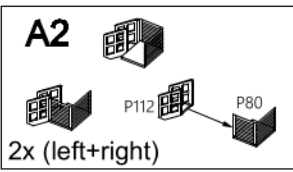
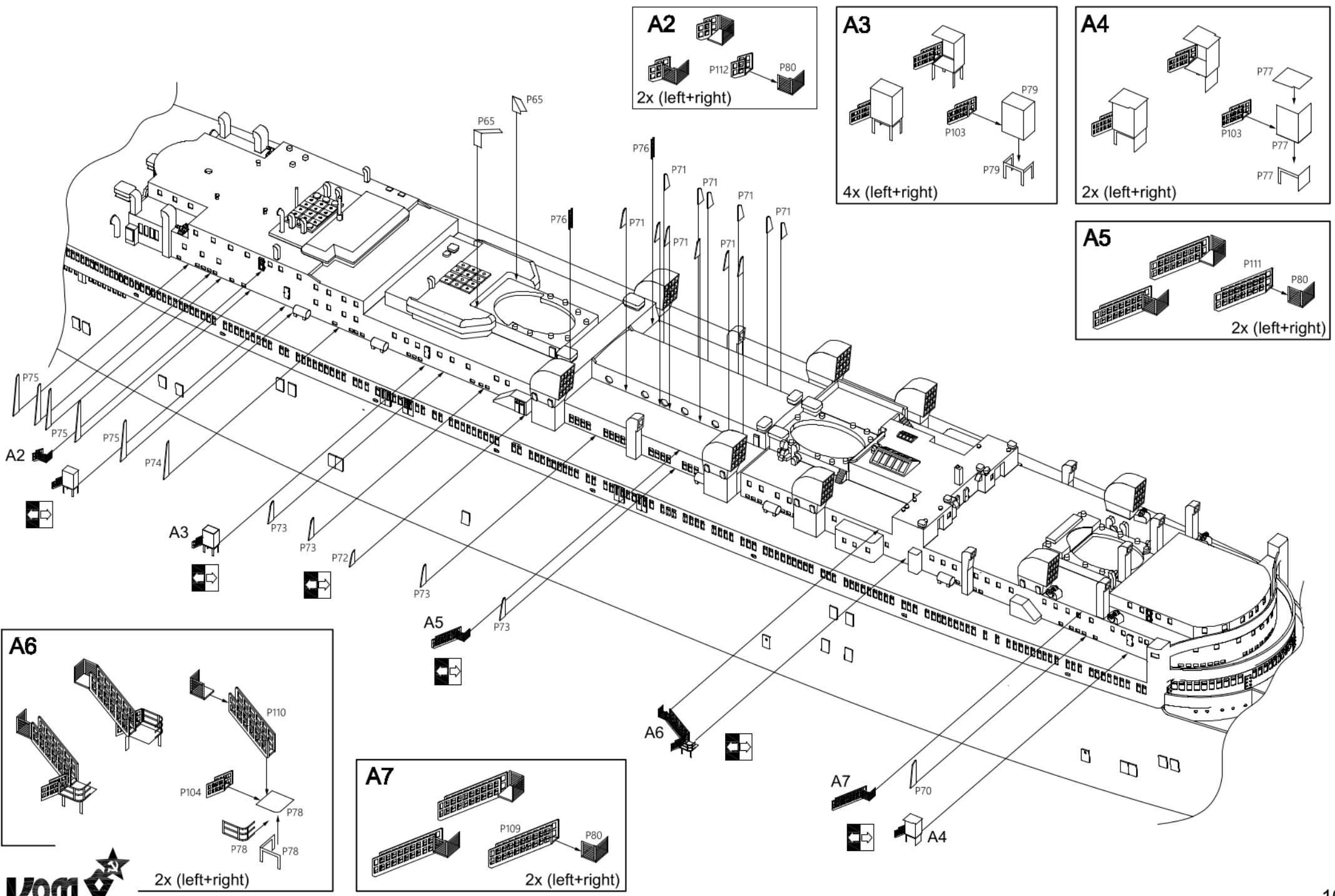


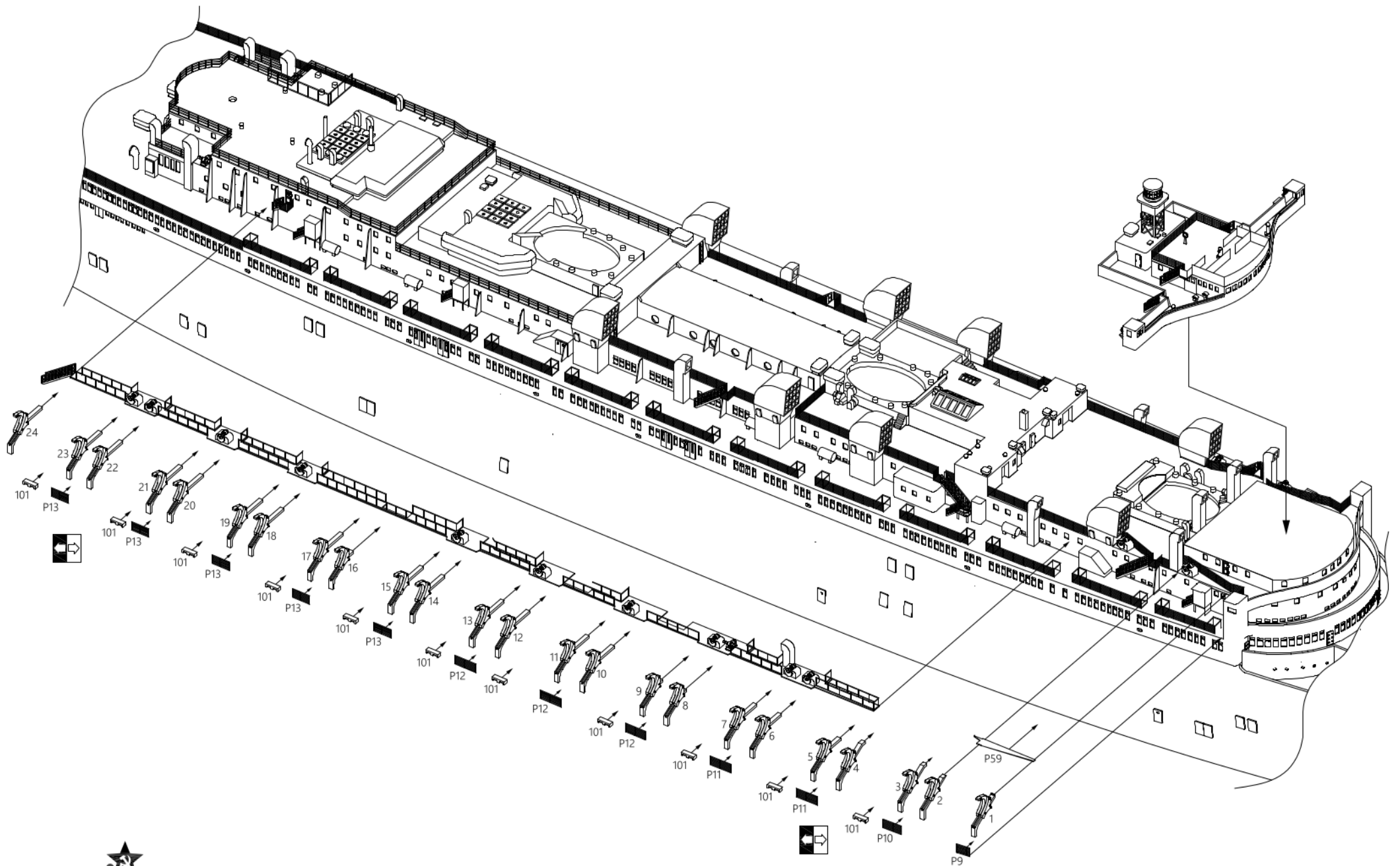


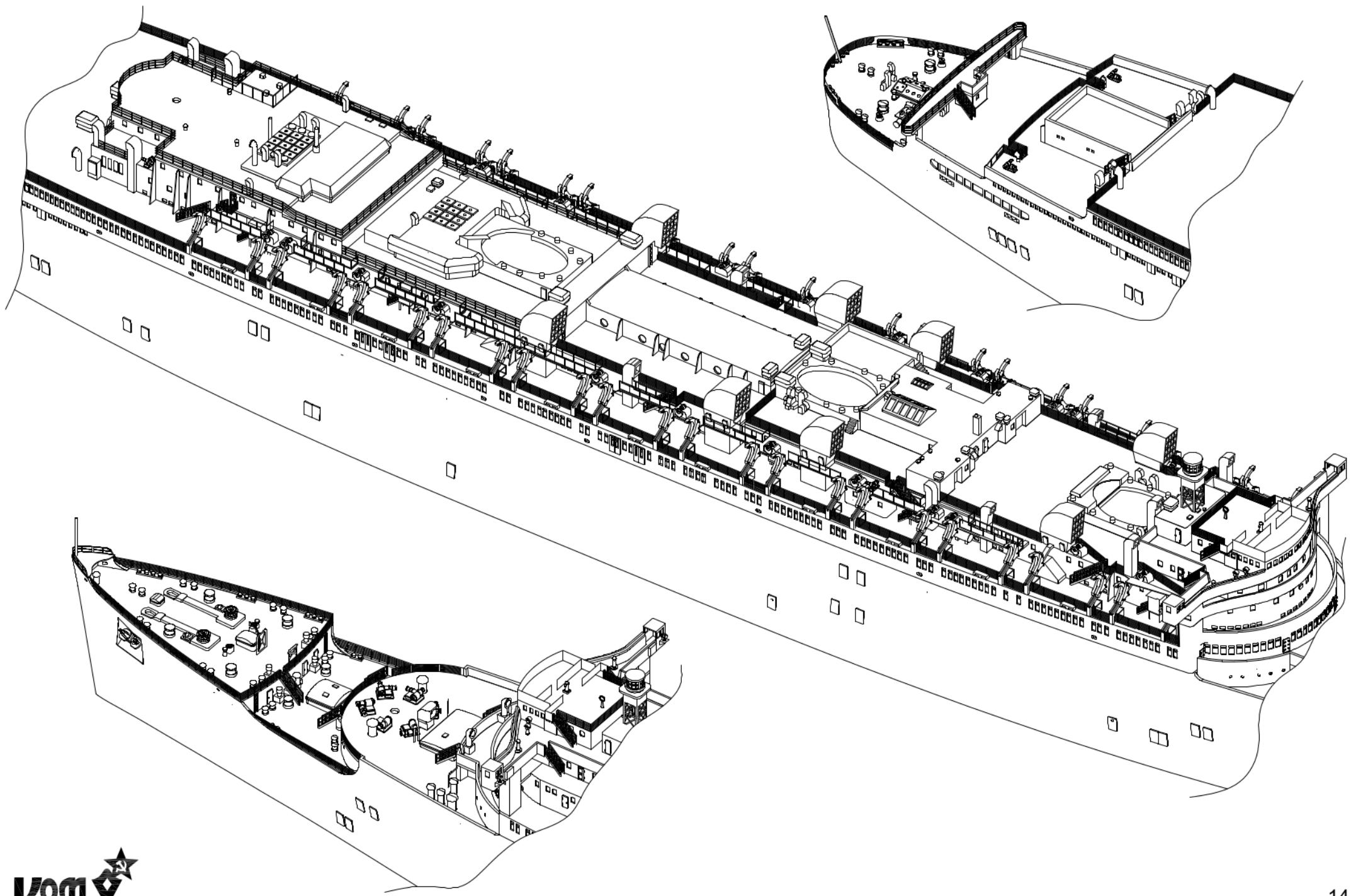


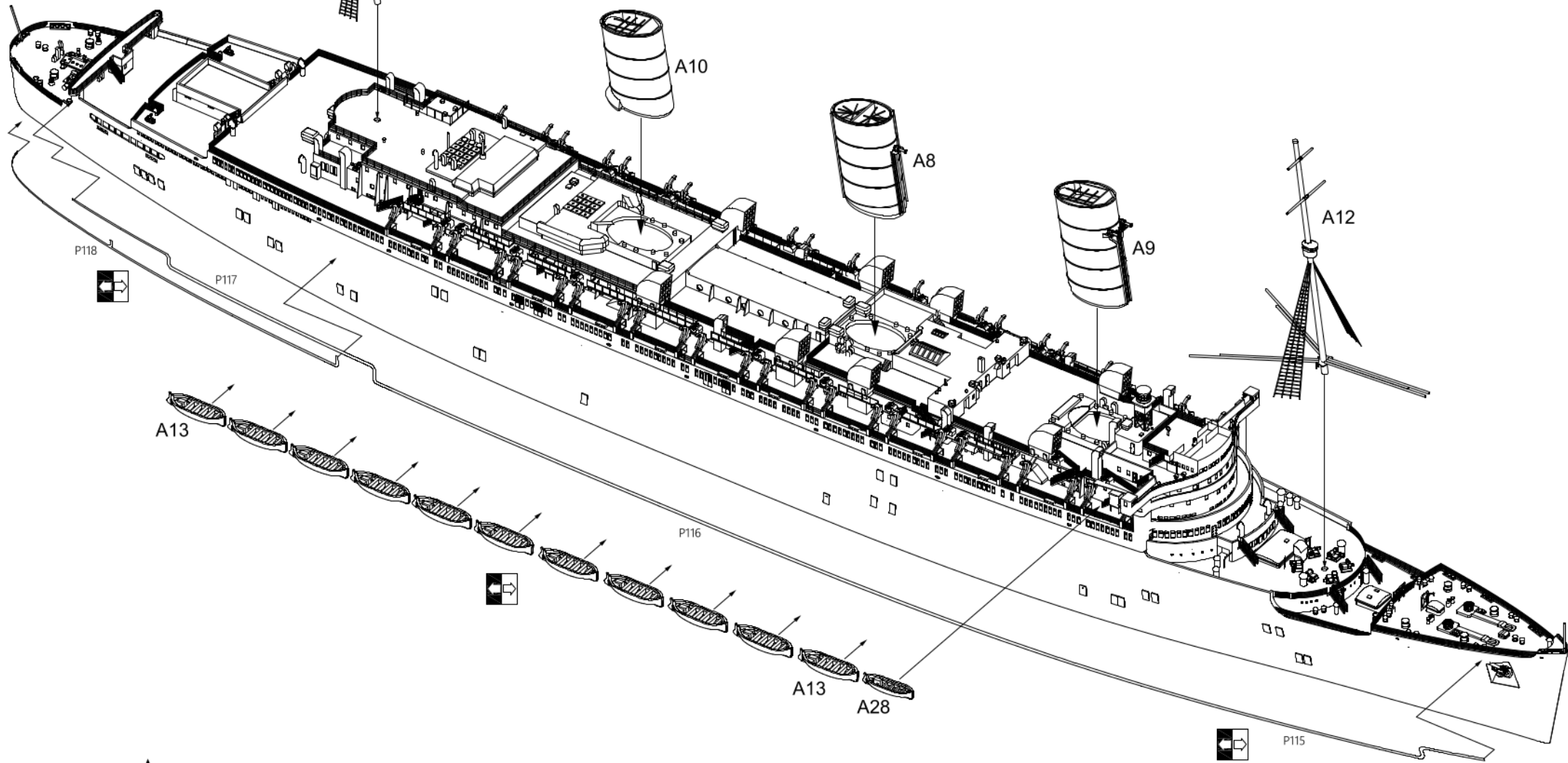


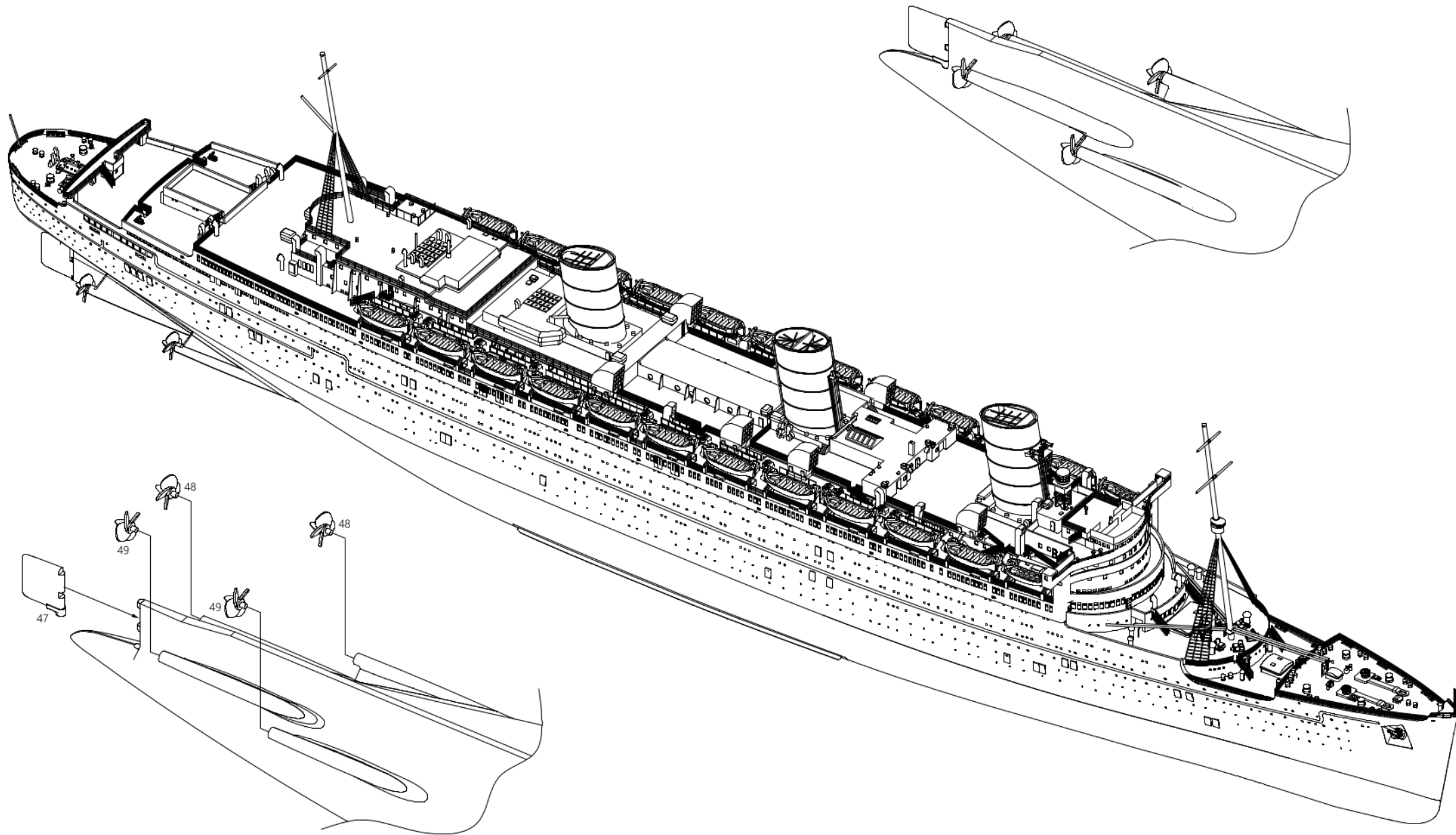


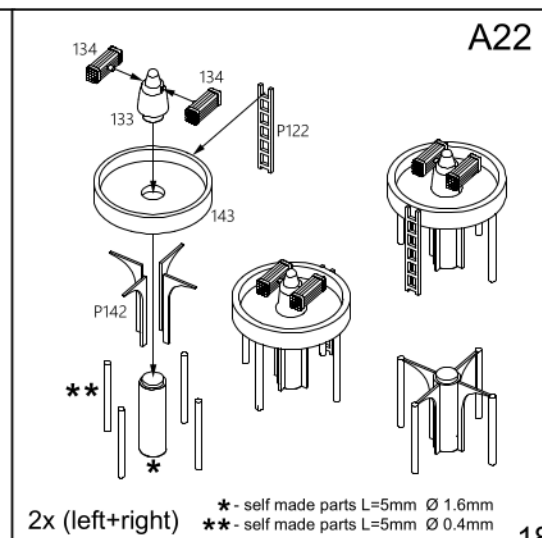
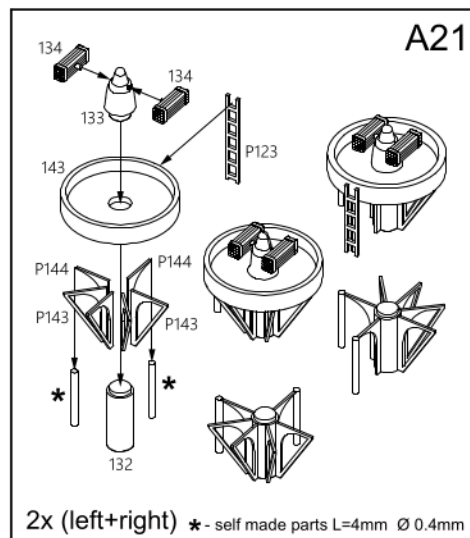
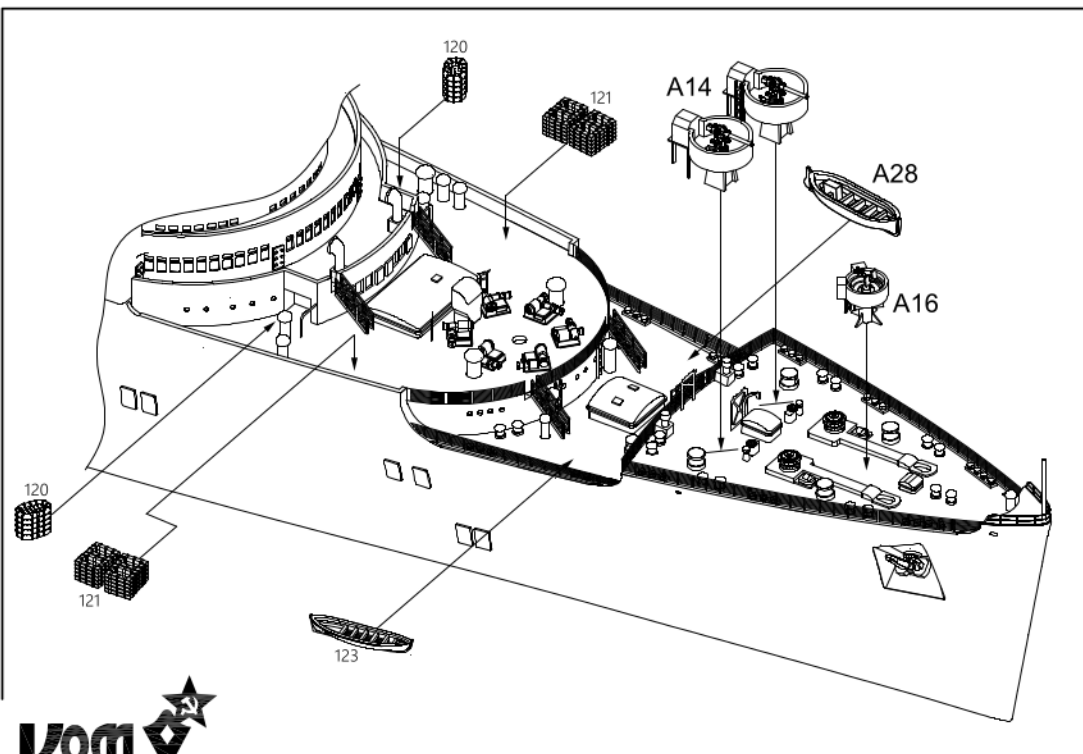
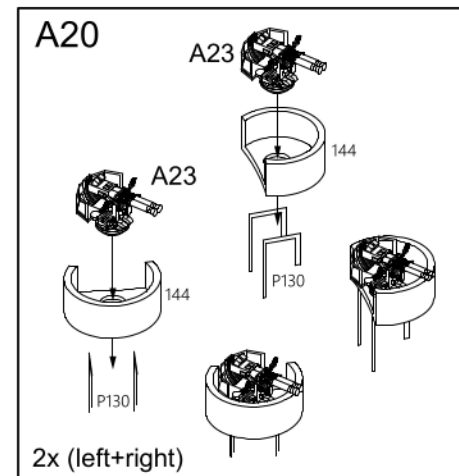
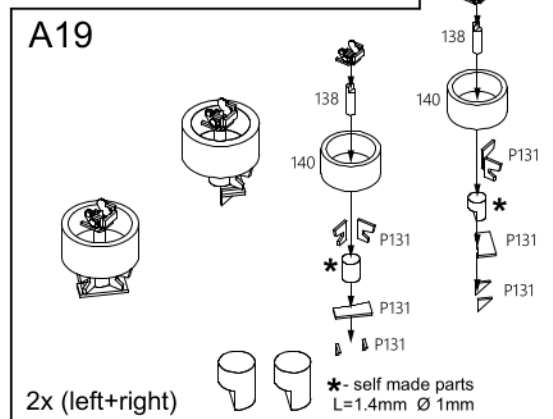
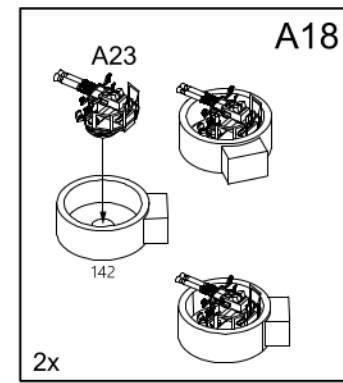
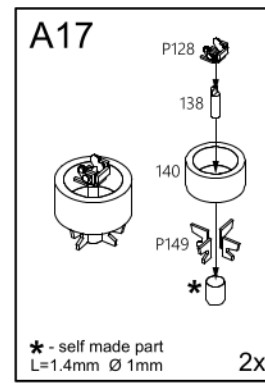
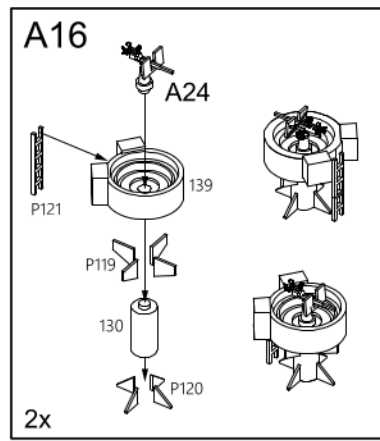
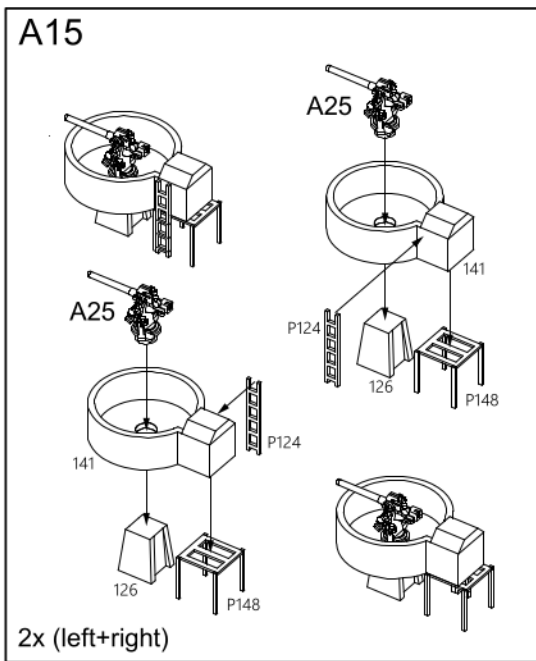
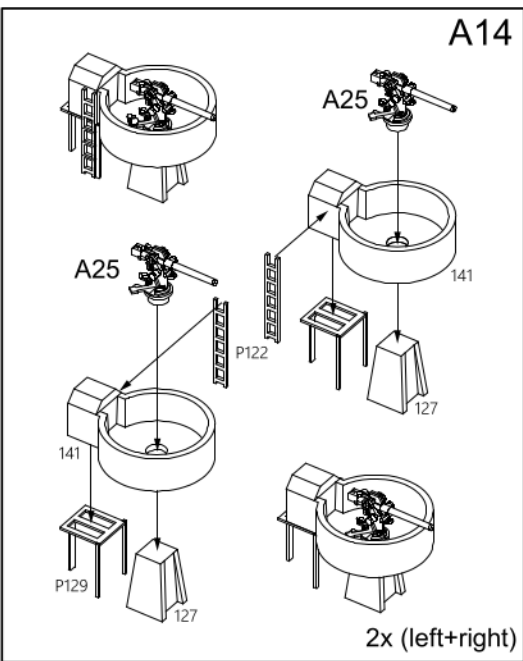




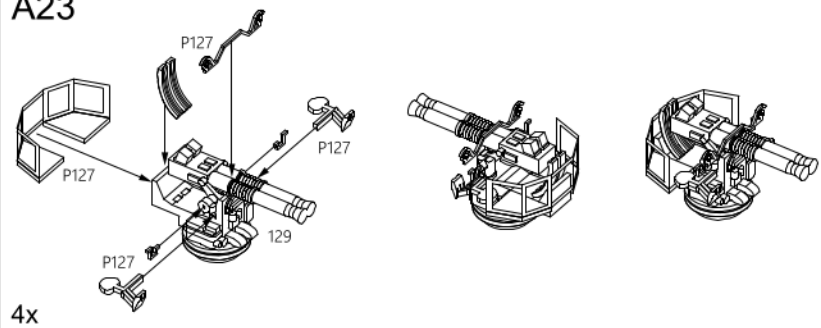




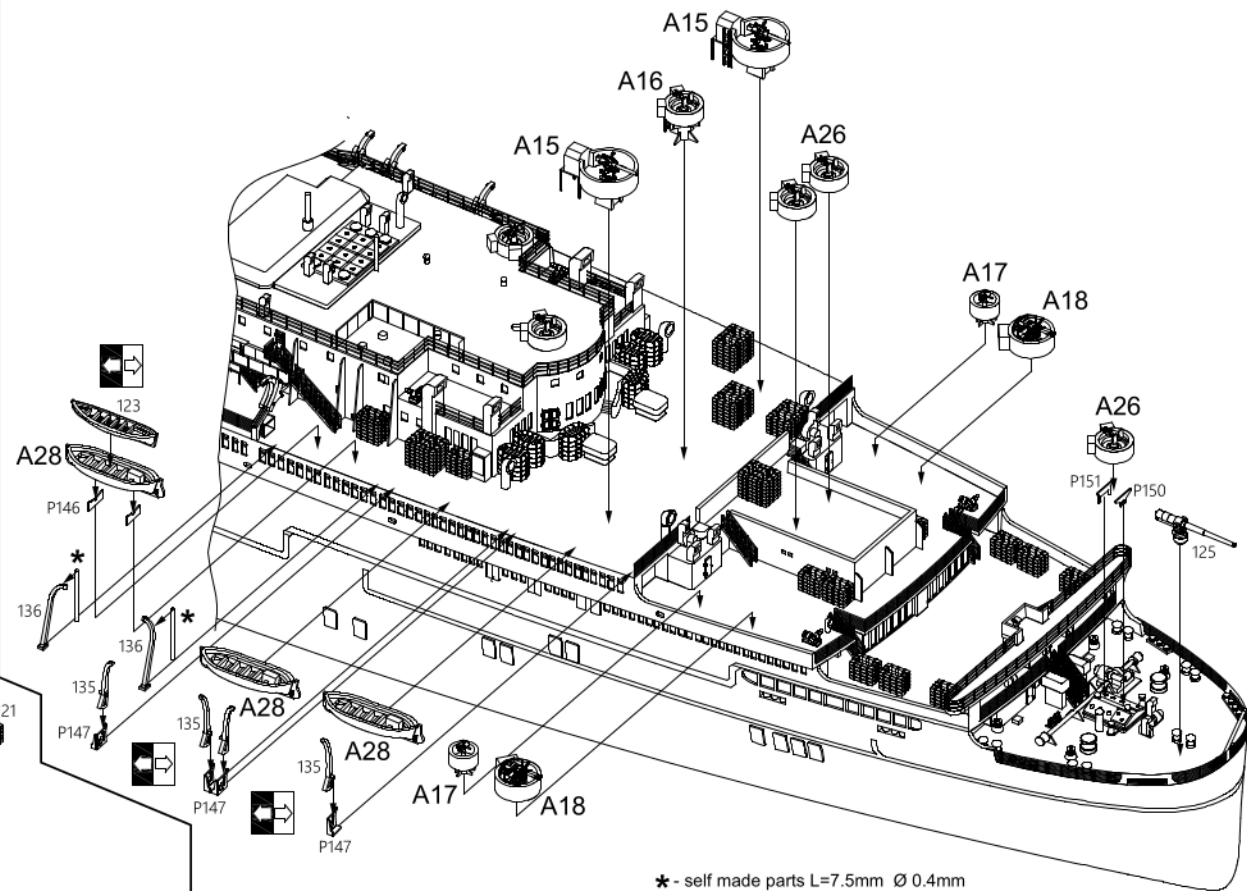
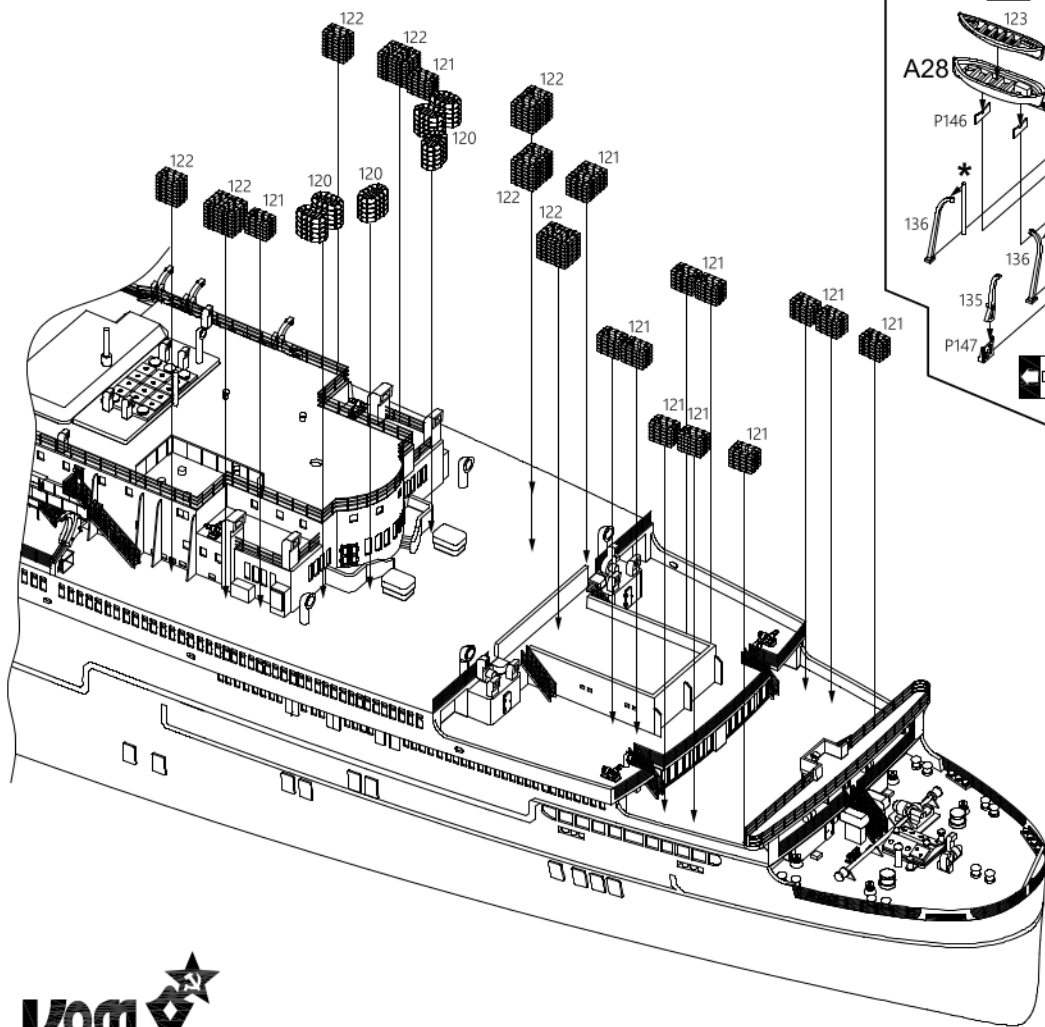




A23

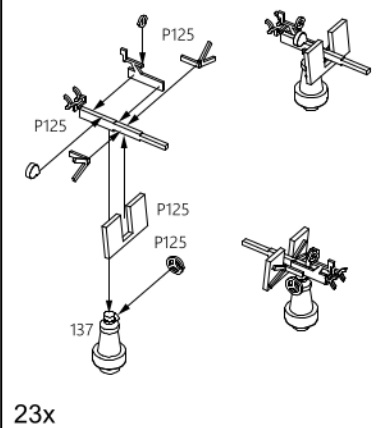


4x



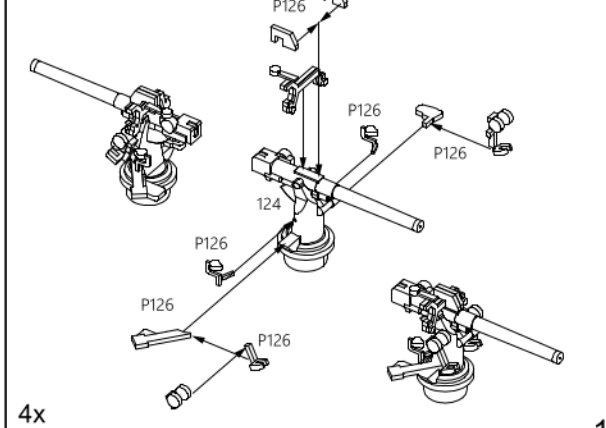
* - self made parts L=7.5mm Ø 0.4mm

A24



23x

A25



4x



